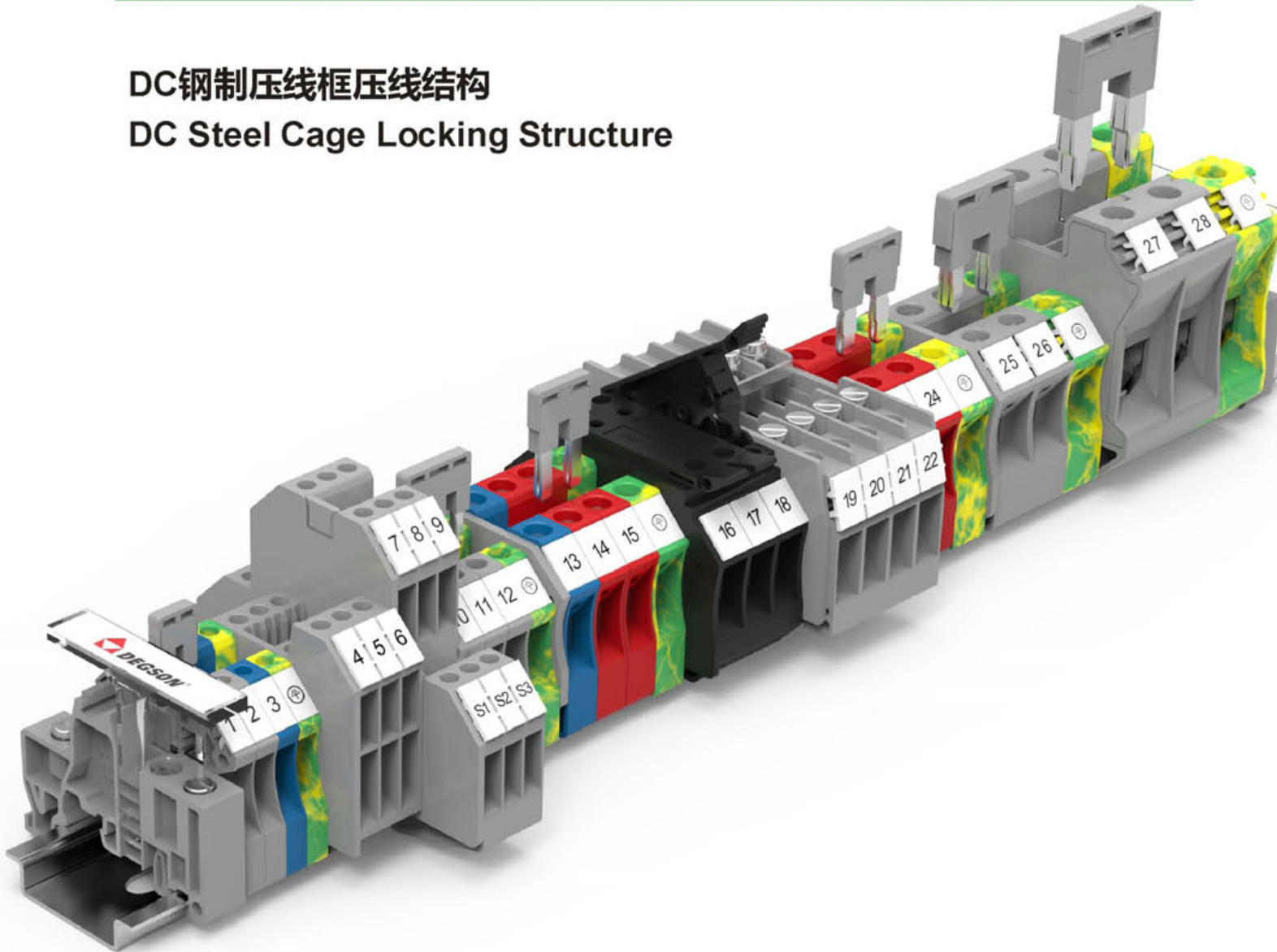


DC钢制压线框压线结构 DC Steel Cage Locking Structure

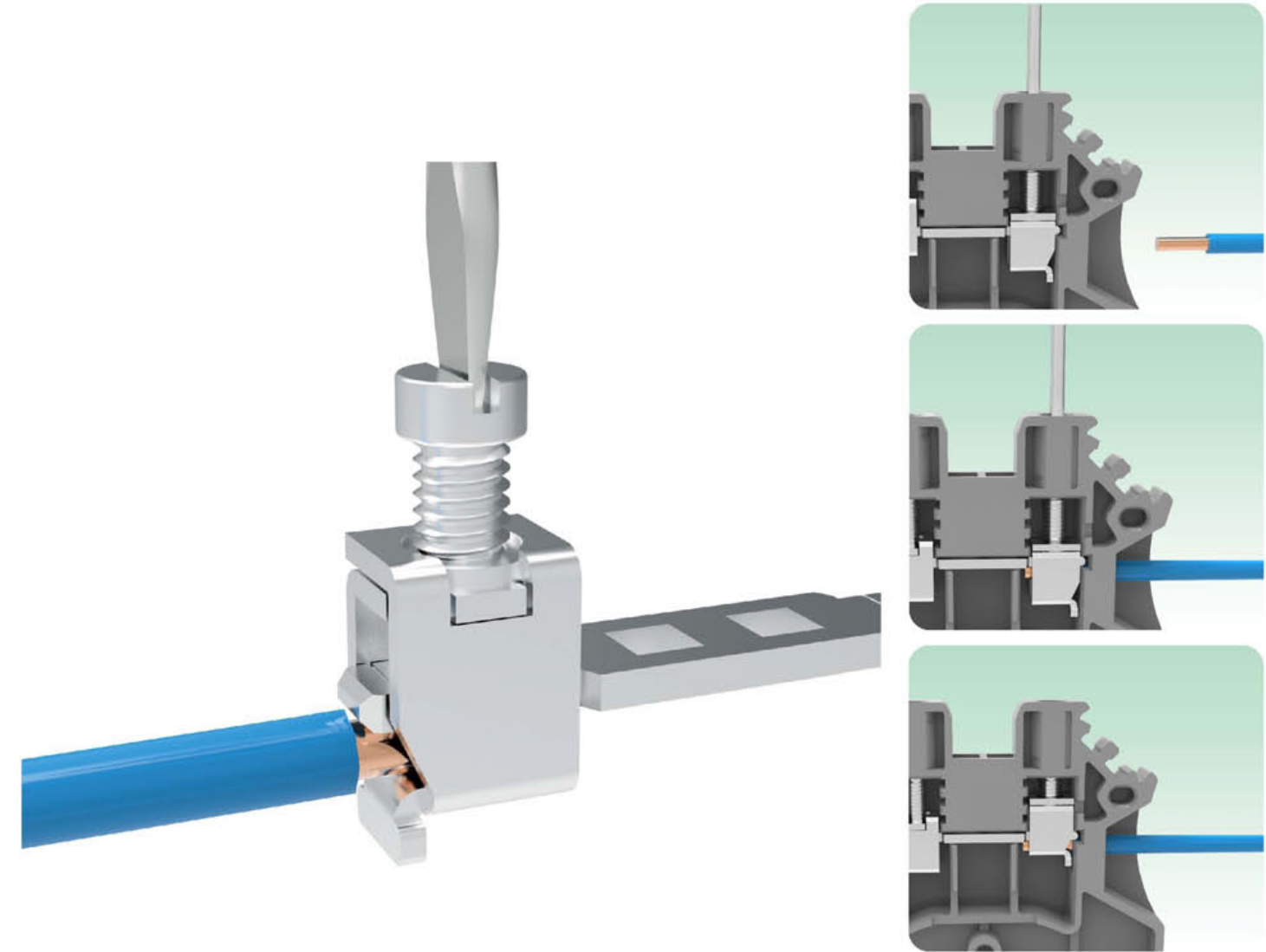


优势

- 钢螺钉连接技术，连接可靠。
- 配有双通道桥接并，电路连接测试更灵活。
- 方块带有档舌板，可防止误插。
- 特有的插拔式桥接件，电路连接效率高。
- 可匹配标记条，避免导线误插。

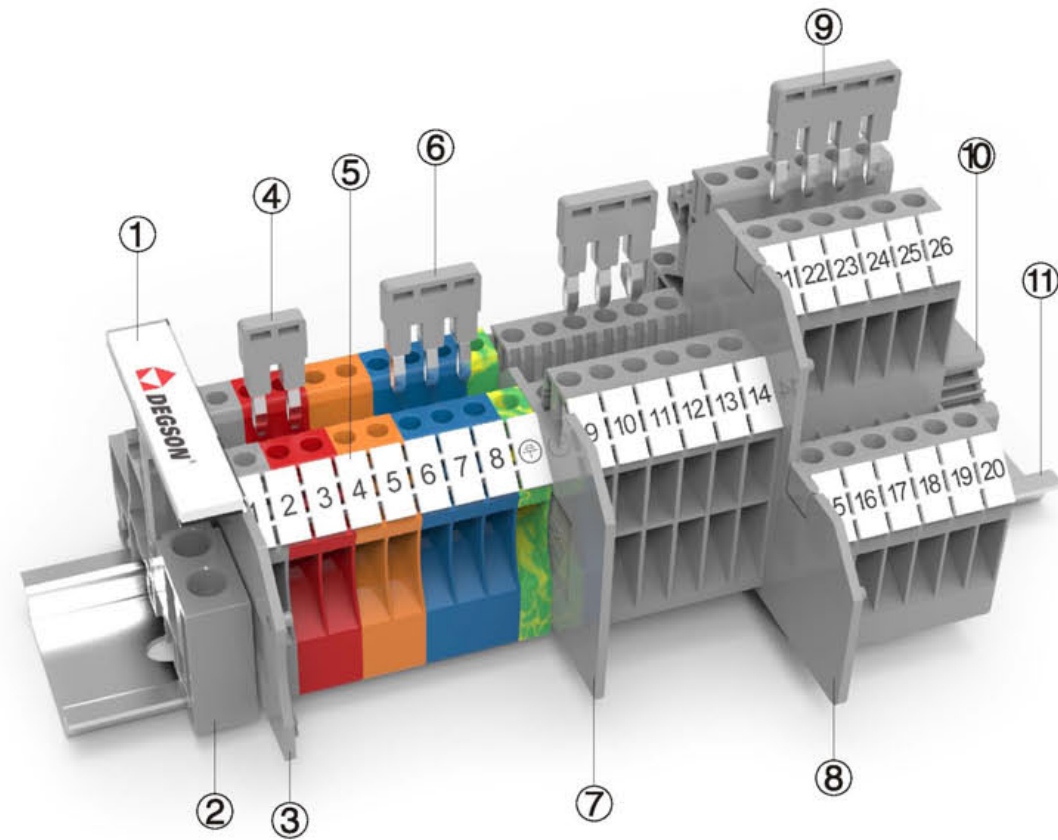
Feature

- Steel screw connection technology, reliable connection.
- Double channel for bridging can make circuit connection test more flexible.
- The copper alloy cage has a accessory to prevent mis-inserting.
- Unique pluggable jumper, high circuit connection efficiency.
- Optional marker to avoid wire mis-inserting.



DC钢螺钉连接技术接线端子，钢制螺钉和钢制方块配合夹线，拥有良好的扭力和抗震性能。高精度铜合金导体，使得温升值最低，确保连接可靠安全。PA66的塑件原材料可以满足-40°C到105°C的工作环境，另外所有DC系列产品均符合UL94 V0阻燃等级。紧凑型结构设计，产品性能更加优越。

DC steel screw connection technology terminal block, use steel screw and steel cage to clamp wire, good torque and shock resistance. High-precision copper alloy conductors provide the lowest temperature rise, ensuring the connection is reliable and safe. PA66 material plastic parts can meet the working environment of -40°C to 105°C, and all DC series of din rail products are in line with UL94 V0 flame retardant grade. Compact structure design for superior product performance.



描述 Description	品名 No.	备注 Remark
① 端子板标记 Terminal strip marker carrier	DLM2-01P-17-00A(H)	适用于E-PC, 用于标记 Suitable for E-PC, use for marking
② 终端固定件 End stopper	E-PC-01P-11-1000A(H)	用于NS35轨道产品固定 Fixing products on NS35 DIN rail
③ 端板 End cover	D-DC2.5-01P-11-00A(H)	用于DC2.5/DC2.5-PE产品的端板 End cover is used for DC2.5&DC2.5-PE
④ 插入式桥接件 Plug-in bridge	DFA2.5-02P-11-00A(H)	02P适用于DC2.5系列桥接件 02P bridge, use for DC2.5 series
⑤ 标记条 Marker	ZB5-10P-19-00A(H)	用于DC2.5系列侧边的标记条 Marker is used for the side of DC2.5 series
⑥ 插入式桥接件 Plug-in bridge	DFA2.5-03P-11-00A(H)	03P适用于DC2.5系列桥接件 03P bridge, use for DC2.5 series
⑦ 端板 End cover	D-DC2.5-TW-01P-11-00A(H)	用于DC2.5-TW产品端板 End cover is used for DC2.5-TW
⑧ 端板 End cover	D-DCKKB2.5-01P-11-00A(H)	用于DCKKB2.5产品端板 End cover is used for DCKKB2.5
⑨ 插入式桥接件 Plug-in bridge	DFA2.5-04P-11-00A(H)	04P适用于DC2.5系列桥接件 04P bridge, use for DC2.5 series
⑩ 终端固定件 End stopper	E-WS-01P-11-00A(H)	用于NS35轨道产品固定 Fixing products on NS35 DIN rail
⑪ 轨道条 DIN rail	NS35/7.5-0150-00A(H)	轨道条 NS35 DIN rail

电路图 Circuit diagram



螺钉式连接技术1

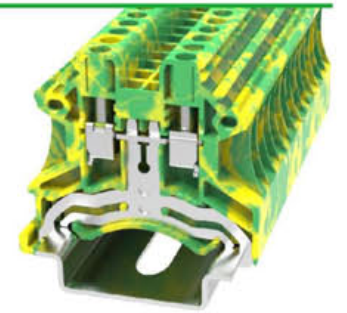
Screw connection technology 1

直通式、多导线、多层和接地端子

Feed-through, multi-conductor, multi-level, and ground terminal blocks

 注：附件以及操作说明详见77页
Notes: For additional accessories and operating instruction, see page 77.


DC 2.5



DC 2.5-PE



尺寸 Dimension	DC 2.5				DC 2.5-PE			
	厚度/长度/高度(NS35/7.5&NS35/15) Width/Length/Height(NS35/7.5&NS35/15) mm	5.1/42.3/41.5(49)				5.1/42.3/41.5(49)		
电气参数 Electrical Parameter	IEC IEC60947-7-1		UL UL1059		IEC IEC60947-7-2		UL UL1059	
额定电压 Rated voltage V	800		600		/		/	
额定电流 Rated current A	24		25		/		/	
额定线径 Wire range mm ² /AWG	0.2-4		26-12		0.2-4		26-12	
螺丝/额定扭力 Screw/Rated torque -/N.m(lb.in) (kgf.cm)	M2.5/0.4 (3.54) (4.08)				M2.5/0.4 (3.54) (4.08)			
额定冲击电压/污染等级 Rated surge voltage/Degree of pollution KV/-	8/3				8/3			
过压类别 绝缘材料组别 Overvoltage category/Insulation material group -/-	III / I				III / I			
接线容量 Connection capacity	刚性 Solid	柔性 Stranded	冷压头 (不带/带塑料套管) Ferrule (with and without plastic sleeve)		刚性 Solid	柔性 Stranded	冷压头 (不带/带塑料套管) Ferrule (with and without plastic sleeve)	
1根线 1 conductor mm ²	0.2-4	0.2-2.5	0.2-2.5	0.2-2.5	0.2-4	0.2-2.5	0.2-2.5	0.2-2.5
两根带TWIN冷压头的柔性导线 2 conductors with same cross section, stranded, mm ² TWIN ferrules with plastic sleeve	-	-	-	0.2-1.5	-	-	-	0.2-1.5
一般信息 General information								
绝缘材质/阻燃等级 (符合UL94) Insulation material/Flammability rating(according to UL 94)	PA/V0				PA/V0			
工作温度 Operation temperature °C (°F)	-40(-40)-105(221)				-40(-40)-105(221)			
剥线长度 Stripping length mm	8-9				8-9			
颜色 Color	灰色 (可根据客户需求定制) Gray (customization demand is available)				黄绿混色 Green-yellow			
一字螺丝刀规格 (刀厚×刀宽) Slotted screwdriver size (Blade thickness x Width) mm	0.6x3.5				0.6x3.5			
附件 Accessories								
插拔式桥接件 (2-10P) Plug-in bridge (2-10P)	DFA2.5				DFA2.5			
插入式 (2-10P) Insertion bridge (2-10P)	/				/			
端板 End cover	D-DC2.5				D-DC2.5			
标记号 Marker	ZB5&WB5				ZB5&WB5			
DIN轨道 DIN rail	NS35/7.5 & NS35/15 (钢和铝合金材质可选) NS35/7.5 & NS35/15 (Steel and Aluminium alloy are optional)				NS35/7.5 & NS35/15 (钢和铝合金材质可选) NS35/7.5 & NS35/15 (Steel and Aluminium alloy are optional)			
终端固定件 End stopper	E-WS&E-PC&E-MK				E-WS&E-PC&E-MK			

螺钉式连接技术1

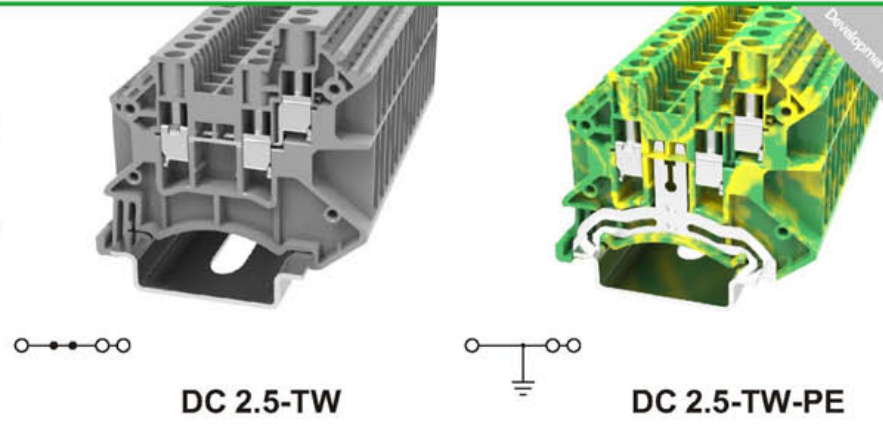
Screw connection technology 1

直通式、多导线、多层和接地端子

Feed-through, multi-conductor, multi-level, and ground terminal blocks

注：附件以及操作说明详见77页

Notes: For additional accessories and operating instruction, see page 77.



CE ENEC RoHS REACH

尺寸 Dimension	DC 2.5-TW		DC 2.5-TW-PE	
厚度/长度/高度(NS35/7.5&NS35/15) Width/Length/Height(NS35/7.5&NS35/15) mm	5.1/48.7/49.2(56.7)		5.1/76/63(70.5)	
电气参数 Electrical Parameter	IEC IEC60947-7-1	UL UL 1059	IEC IEC60947-7-2	UL UL 1059
额定电压 Rated voltage V	1000	600	/	/
额定电流 Rated current A	24	20	/	/
额定线径 Wire range mm ² /AWG	0.2-4	26-12	0.2-4	26-12
螺丝/额定扭力 Screw/Rated torque -/N.m(lb.in) (kgf.cm)	M2.5/0.4 (3.54) (4.08)		M2.5/0.4 (3.54) (4.08)	
额定冲击电压/污染等级 Rated surge voltage/Degree of pollution KV/-	8/3		8/3	
过压类别 绝缘材料组别 Overvoltage category/Insulation material group -/-	III / I		III / I	
接线容量 Connection capacity	刚性 Solid	柔性 Stranded	冷压头(不带/带塑料套管) Female (with and without plastic sleeve)	刚性 Solid
1根线 1 conductor mm ²	0.2-4	0.2-2.5	0.2-2.5	0.2-4
两根带TWIN冷压头的柔性导线 2 conductors with same cross section, stranded, TWIN ferrules with plastic sleeve mm ²	-	-	-	0.2-2.5
两根带TWIN冷压头的柔性导线 2 conductors with same cross section, stranded, TWIN ferrules with plastic sleeve mm ²	-	-	-	0.5-1
一般信息 General information	PA/V0		PA/V0	
绝缘材质/阻燃等级(符合UL94) Insulation material/Flammability rating(according to UL 94)	PA/V0		PA/V0	
工作温度 Operation temperature °C (°F)	-40(-40)~105(221)		-40(-40)~105(221)	
剥线长度 Stripping length mm	10-11		10-11	
颜色 Color	灰色(可根据客户需求定制) Gray (customization demand is available)		黄绿混色 Green-yellow	
一字螺丝刀规格(刀厚x刀宽) Slotted screwdriver size (Blade thickness x Width) mm	0.6x3.5		0.6x3.5	
附件 Accessories	DFA2.5		/	
插拔式桥接件(2-10P) Plug-in bridge (2-10P)	/		/	
插入式(2-10P) Insertion bridge (2-10P)	/		/	
端板 End cover	D-DC2.5-TW		D-DC2.5-TW	
标记号 Marker	ZB5&WB5		ZB5&WB5	
DIN轨道 DIN rail	NS35/7.5 & NS35/15 (钢和铝合金材质可选) NS35/7.5 & NS35/15 (Steel and Aluminium alloy are optional)		NS35/7.5 & NS35/15 (钢和铝合金材质可选) NS35/7.5 & NS35/15 (Steel and Aluminium alloy are optional)	
终端固定件 End stopper	E-WS&E-PC&E-MK		E-WS&E-PC&E-MK	

螺钉式连接技术1

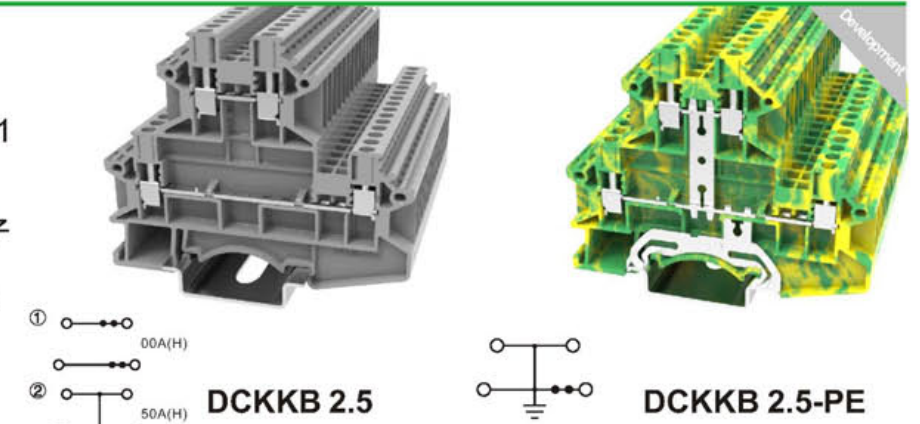
Screw connection technology 1

直通式、多导线、多层和接地端子

Feed-through, multi-conductor, multi-level, and ground terminal blocks

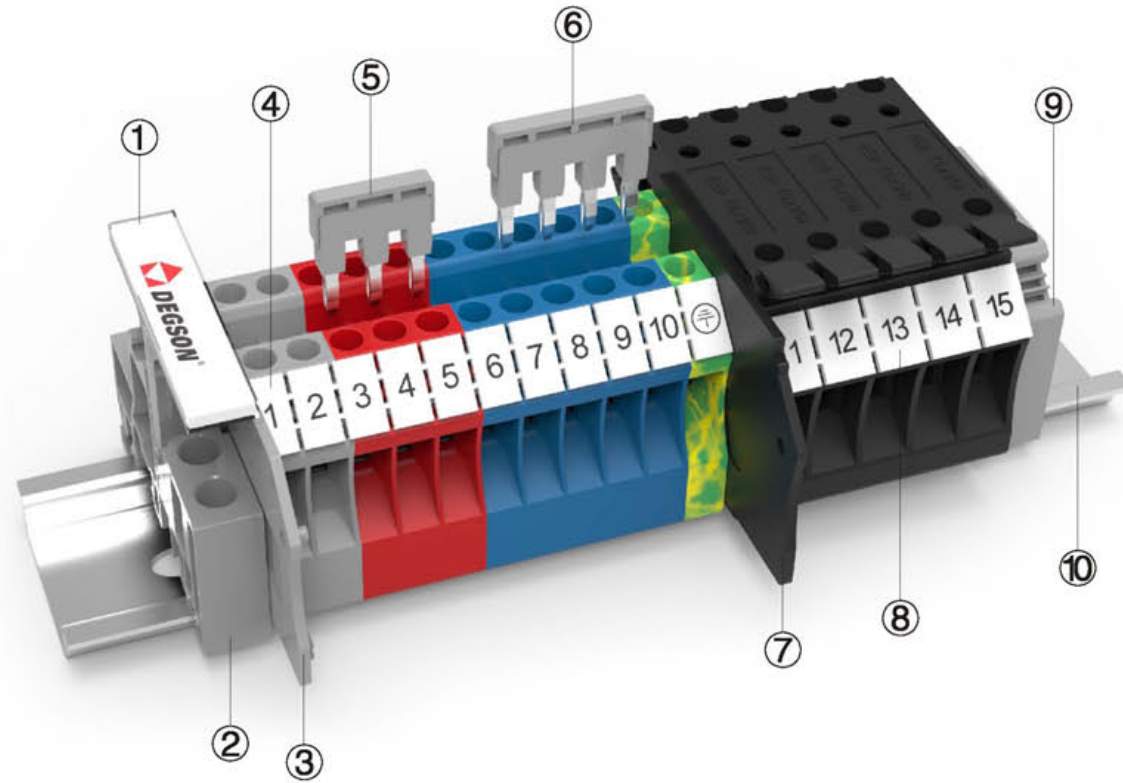
注：附件以及操作说明详见77页

Notes: For additional accessories and operating instruction, see page 77.



CE ENEC RoHS REACH

尺寸 Dimension	DCKKB 2.5		DCKKB 2.5-PE	
厚度/长度/高度(NS35/7.5&NS35/15) Width/Length/Height(NS35/7.5&NS35/15) mm	5.1/76/63(70.5)		5.1/76/63(70.5)	
电气参数 Electrical Parameter	IEC IEC60947-7-1	UL UL 1059	IEC IEC60947-7-2	UL UL 1059
额定电压 Rated voltage V	500	300	/	/
额定电流 Rated current A	24	20	/	/
额定线径 Wire range mm ² /AWG	0.2-4	26-12	0.2-4	26-12
螺丝/额定扭力 Screw/Rated torque -/N.m(lb.in) (kgf.cm)	M2.5/0.4 (3.54) (4.08)		M2.5/0.4 (3.54) (4.08)	
额定冲击电压/污染等级 Rated surge voltage/Degree of pollution KV/-	8/3		8/3	
过压类别 绝缘材料组别 Overvoltage category/Insulation material group -/-	III / I		III / I	
接线容量 Connection capacity	刚性 Solid	柔性 Stranded	冷压头(不带/带塑料套管) Female (with and without plastic sleeve)	刚性 Solid
1根线 1 conductor mm ²	0.5-4	0.5-2.5	0.5-2.5	0.5-4
两根带TWIN冷压头的柔性导线 2 conductors with same cross section, stranded, TWIN ferrules with plastic sleeve mm ²	-	-	-	0.5-1
两根带TWIN冷压头的柔性导线 2 conductors with same cross section, stranded, TWIN ferrules with plastic sleeve mm ²	-	-	-	0.5-1
一般信息 General information	PA/V0		PA/V0	
绝缘材质/阻燃等级(符合UL94) Insulation material/Flammability rating(according to UL 94)	PA/V0		PA/V0	
工作温度 Operation temperature °C (°F)	-40(-40)~105(221)		-40(-40)~105(221)	
剥线长度 Stripping length mm	8-10		8-10	
颜色 Color	灰色(可根据客户需求定制) Gray (customization demand is available)		黄绿混色 Green-yellow	
一字螺丝刀规格(刀厚x刀宽) Slotted screwdriver size (Blade thickness x Width) mm	0.6x3.5		0.6x3.5	
附件 Accessories	DFA2.5		/	
插拔式桥接件(2-10P) Plug-in bridge (2-10P)	/		/	
插入式(2-10P) Insertion bridge (2-10P)	/		/	
端板 End cover	D-DCKKB2.5		D-DCKKB2.5	
标记号 Marker	ZB5&WB5		ZB5&WB5	
DIN轨道 DIN rail	NS35/7.5 & NS35/15 (钢和铝合金材质可选) NS35/7.5 & NS35/15 (Steel and Aluminium alloy are optional)		NS35/7.5 & NS35/15 (钢和铝合金材质可选) NS35/7.5 & NS35/15 (Steel and Aluminium alloy are optional)	
终端固定件 End stopper	E-WS&E-PC&E-MK		E-WS&E-PC&E-MK	

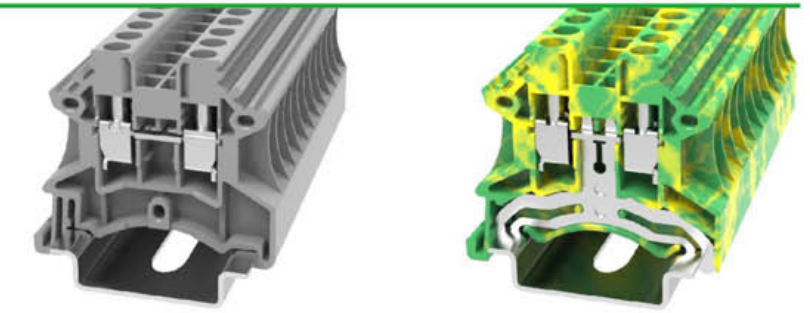


描述 Description	品名 No.	备注 Remark
① 端子板标记 Terminalstrip marker carrier	DLM2-01P-17-00A(H)	适用于E-PC, 用于标记 Suitable for E-PC, use for marking
② 终端固定件 End stopper	E-PC-01P-11-1000A(H)	用于NS35轨道产品固定 Fixing products on NS35 DIN rail
③ 端板 End cover	D-DC2.5-01P-11-00A(H)	用于DC4/DC4-PE产品的端板 End cover is used for DC4&DC4-PE
④ 标记条 Marker	ZB6-10P-19-00A(H)	用于DC4系列侧边的标记条 Marker is used for the side of DC4 series
⑤ 插入式桥接件 Plug-in bridge	DFA4-02P-11-00A(H)	02P适用于DC4系列桥接件 02P bridge, use for DC4 series
⑥ 插入式桥接件 Plug-in bridge	DFA2.5-04P-11-00A(H)	04P适用于DC4系列桥接件 04P bridge, use for DC4 series
⑦ 端板 End cover	D-DC4-HE-01P-13-00A(H)	用于DC4-HE产品端板 End cover is used for DC4-HE
⑧ 标记条 Marker	ZB8-10P-19-00A(H)	用于DC4-HE侧边的标记条 Marker is used for the side of DC4-HE
⑨ 终端固定件 End stopper	E-WS-01P-11-00A(H)	用于NS35轨道产品固定 Fixing products on NS35 DIN rail
⑩ 轨道条 DIN rail	NS35/7.5-0150-00A(H)	NS35轨道条 NS35 DIN rail

电路图 Circuit diagram


 螺钉式连接技术1
Screw connection technology 1

 直通式和接地端子
Feed-through and ground terminal blocks

 注: 附件以及操作说明详见81页
Notes: For additional accessories and operating instruction, see page 81.


DC 4



DC 4-PE

尺寸 Dimension	DC 4				DC 4-PE			
	IEC IEC60947-7-1		UL UL1059		IEC IEC60947-7-2		UL UL1059	
厚度/长度/高度(NS35/7.5&NS35/15) Width/Length/Height(NS35/7.5&NS35/15) mm	6.1/42.3/41.9(49.4)				6.1/42.3/41.9(49.4)			
电气参数 Electrical Parameter								
额定电压 Rated voltage V	1000		600		/		/	
额定电流 Rated current A	32		30		/		/	
额定线径 Wire range mm ² /AWG	0.2-6		22-10		0.2-6		22-10	
螺丝/额定扭力 Screw/Rated torque -/N.m(lb.in) (kgf.cm)	M3/0.5(4.43)(5.1)				M3/0.5(4.43)(5.1)			
额定冲击电压/污染等级 Rated surge voltage/Degree of pollution KV/-	8/3				8/3			
过压类别 绝缘材料组别 Overvoltage category/Insulation material group -/-	III / I				III / I			
接线容量 Connection capacity	刚性 Solid	柔性 Stranded	冷压头 (不带带塑料套管) Ferrule (with and without plastic sleeve)		刚性 Solid	柔性 Stranded	冷压头 (不带带塑料套管) Ferrule (with and without plastic sleeve)	
1根线 1 conductor mm ²	0.5-6	0.5-4	0.5-4	0.5-4	0.5-6	0.5-4	0.5-4	0.5-4
两根带TWIN冷压头的柔性导线 2 conductors with same cross section, stranded, mm ² TWIN ferrules with plastic sleeve	-	-	-	0.5-1.5	-	-	-	0.5-1.5
一般信息 General information								
绝缘材质/阻燃等级 (符合UL94) Insulation material/Flammability rating(according to UL 94)	PA/V0				PA/V0			
工作温度 Operation temperature °C (°F)	-40(-40)-105(221)				-40(-40)-105(221)			
剥线长度 Stripping length mm	8-9				8-9			
颜色 Color	灰色 (可根据客户需求定制) Gray (customization demand is available)				黄绿混色 Green-yellow			
一字螺丝刀规格 (刀厚x刀宽) Slotted screwdriver size (Blade thickness x Width) mm	0.6x3.5				0.6x3.5			
附件 Accessories								
插拔式桥接件 (2-10P) Plug-in bridge (2-10P)	DFA4				/			
插入式 (2-10P) Insertion bridge (2-10P)	/				/			
端板 End cover	D-DC2.5				D-DC2.5			
标记号 Marker	ZB6				ZB6			
DIN轨道 DIN rail	NS35/7.5 & NS35/15 (钢和铝合金材质可选) NS35/7.5 & NS35/15 (Steel and Aluminium alloy are optional)				NS35/7.5 & NS35/15 (钢和铝合金材质可选) NS35/7.5 & NS35/15 (Steel and Aluminium alloy are optional)			
终端固定件 End stopper	E-WS&E-PC&E-MK				E-WS&E-PC&E-MK			

螺钉式连接技术1

Screw connection technology 1

保险丝端子(5X20)

Fuse terminal blocks(5X20)



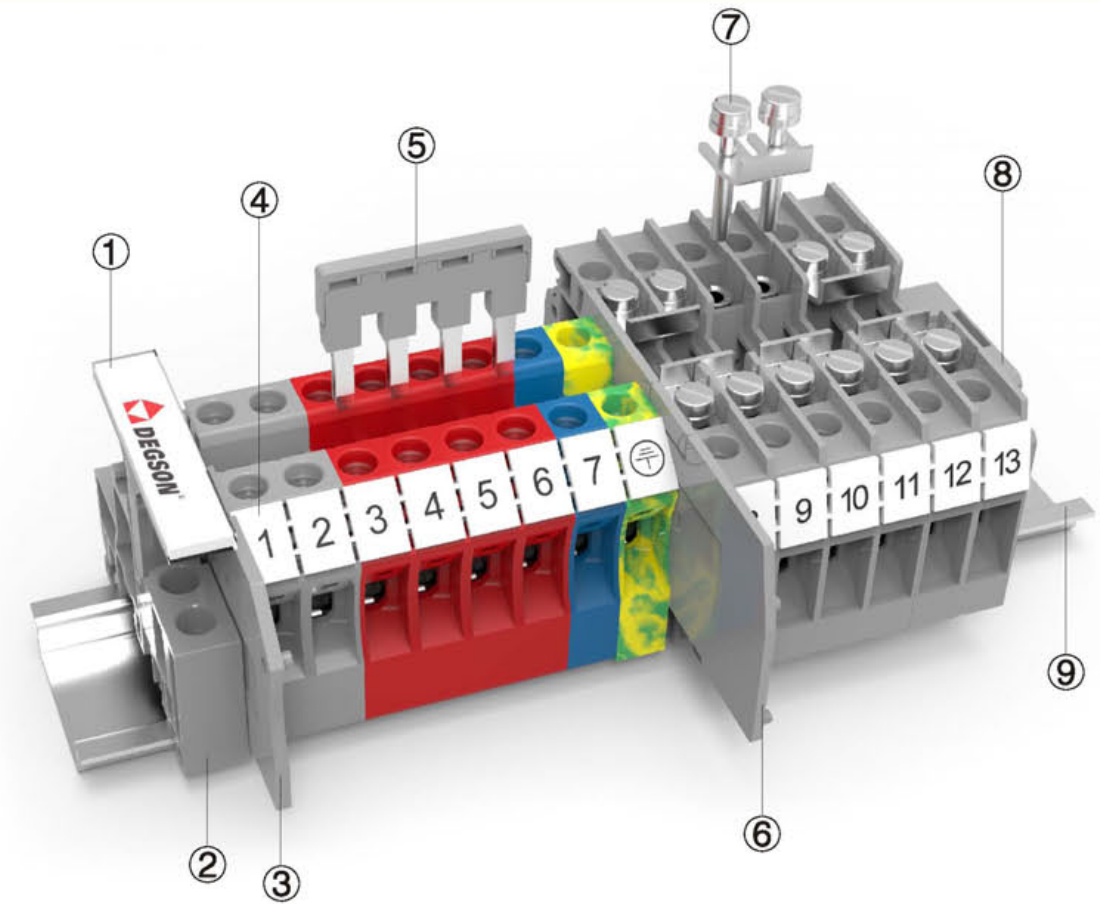
注：附件以及操作说明详见81页
Notes: For additional accessories and operating instruction, see page 81.



DC 4-HE

CE ENEC RoHS REACH

尺寸 Dimension					
厚度/长度/高度(NS35/7.5&NS35/15) Width/Length/Height(NS35/7.5&NS35/15)	mm	8/58/50(57.5)			
电气参数 Electrical Parameter		IEC	UL		
		IEC60947-7-3	UL1059		
额定电压 Rated voltage	V	500	600		
额定电流 Rated current	A	6.3	6.3		
额定线径 Wire range	mm ² /AWG	0.5-6	22-10		
螺丝/额定扭力 Screw/Rated torque	-/N.m(lb.in) (kgf.cm)	M3/0.5(4.43)(5.1)			
额定冲击电压/污染等级 Rated surge voltage/Degree of pollution	KV/-	6/3			
过压类别/绝缘材料组别 Overvoltage category/Insulation material group	-/-	III / 1			
接线容量 Connection capacity		刚性 Solid	柔性 Stranded	冷压头(不带/带塑料套管) Female (with and without plastic sleeve)	
1根线 1 conductor	mm ²	0.5-6	0.5-4	0.5-4	0.5-4
两根带TWIN冷压头的柔性导线 2 conductors with same cross section, stranded, TWIN ferrules with plastic sleeve	mm ²	-	-	-	0.5-1.5
一般信息 General information					
绝缘材质/阻燃等级(符合UL94) Insulation material/Flammability rating(according to UL 94)		PA/V0			
工作温度 Operation temperature	°C (°F)	-40(-40)~105(221)			
剥线长度 Stripping length	mm	9			
颜色 Color		黑色(可根据客户需求定制) Black (customization demand is available)			
一字螺丝刀规格(刀厚×刀宽) Slotted screwdriver size (Blade thickness x Width)	mm	0.6x3.5			
附件 Accessories					
插拔式桥接件(2-10P) Plug-in bridge (2-10P)		/			
插入式(2-10P) Insertion bridge (2-10P)		/			
端板 End cover		D-DC4-HE			
标记号 Marker		ZB8			
DIN轨道 DIN rail		NS35/7.5 & NS35/15 (钢和铝合金材质可选) NS35/7.5 & NS35/15 (Steel and Aluminium alloy are optional)			
终端固定件 End stopper		E-WS&E-PC&E-MK			



描述 Description	品名 No.	备注 Remark
① 端子板标记 Terminal strip marker carrier	DLM2-01P-17-00A(H)	适用于E-PC, 用于标记 Suitable for E-PC, use for marking
② 终端固定件 End stopper	E-PC-01P-11-1000A(H)	用于NS35轨道产品固定 Fixing products on NS35 DIN rail
③ 端板 End cover	D-DC6-01P-11-00A(H)	用于DC6/DC6-PE产品的端板 End cover is used for DC6&DC6-PE
④ 标记条 Marker	ZB8-10P-19-00A(H)	用于DC6系列侧边的标记条 Marker is used for the side of DC6 series
⑤ 插入式桥接件 Plug-in bridge	DFA6-04P-11-00A(H)	04P适用于DC6系列桥接件 04P bridge, use for DC6 series
⑥ 端板 End cover	D-DCTK6-01P-11-00A(H)	用于DCTK6产品端板 End cover is used for DCTK6
⑦ 固定式桥接件 Fixed bridge	FBR16-RTK/S-02P-00A(H)	02P用于DCTK6桥接件 02P bridge, use for DCTK6
⑧ 终端固定件 End stopper	E-WS-01P-11-00A(H)	用于NS35轨道产品固定 Fixing products on NS35 DIN rail
⑨ 轨道条 DIN rail	NS35/7.5-0150-00A(H)	NS35轨道条 NS35 DIN rail

电路图 Circuit diagram

	接线接点 Connection point for wiring		保险丝连接 Fuse connection		分断连接 Disconnecting
	桥接接点 Connection point for bridging		电阻连接 Resistance connection		电路连接点 Circuit connection point
	LED灯连接 LED light connection		接地连接 Grounding connection		二极管连接 Diode connection

螺钉式连接技术1

Screw connection technology 1

直通式和接地端子

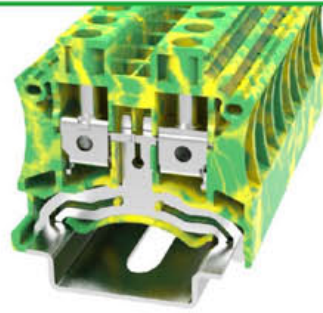
Feed-through and ground terminal blocks

注：附件以及操作说明详见84页

Notes: For additional accessories and operating instruction, see page 84.



DC 6



DC 6-PE

UL CE ENE RoHS REACH

UL CE ENE RoHS REACH

尺寸 Dimension				
厚度/长度/高度(NS35/7.5&NS35/15) Width/Length/Height(NS35/7.5&NS35/15) mm	8/43.5/43.5(51)			
电气参数 Electrical Parameter	IEC IEC60947-7-1	UL UL1059	IEC IEC60947-7-2	UL UL1059
额定电压 Rated voltage V	1000	600	/	/
额定电流 Rated current A	41	50	/	/
额定线径 Wire range mm ² /AWG	0.5-6	22-8	0.5-6	22-8
螺丝/额定扭力 Screw/Rated torque -/N.m(lb.in) (kgf.cm)	M4/1.2(10.53)(12.24)			
额定冲击电压/污染等级 Rated surge voltage/Degree of pollution KV/-	8/3			
过压类别 绝缘材料组别 Overvoltage category/Insulation material group -/-	III / I			
接线容量 Connection capacity	刚性 Solid	柔性 Stranded	冷压头(不带/带塑料套管) Femle (with and without plastic sleeve)	
1根线 1 conductor mm ²	0.5-6	0.5-6	0.5-4	0.5-4
两根带TWIN冷压头的柔性导线 2 conductors with same cross section, stranded, mm ² TWIN ferrules with plastic sleeve	-	-	-	0.5-2.5
一般信息 General information				
绝缘材质/阻燃等级(符合UL94) Insulation material/Flammability rating(according to UL 94)	PA/V0			
工作温度 Operation temperature °C (°F)	-40(-40)~105(221)			
剥线长度 Stripping length mm	10-11			
颜色 Color	灰色(可根据客户需求定制) Gray (customization demand is available)			
一字螺丝刀规格(刀厚×刀宽) Slotted screwdriver size (Blade thickness x Width) mm	1x4			
附件 Accessories				
插拔式桥接件(2-10P) Plug-in bridge (2-10P)	DFA6		/	
插入式(2-10P) Insertion bridge (2-10P)	/		/	
端板 End cover	D-DC6		D-DC6	
标记号 Marker	ZB8		ZB8	
DIN轨道 DIN rail	NS35/7.5 & NS35/15 (钢和铝合金材质可选) NS35/7.5 & NS35/15 (Steel and Aluminium alloy are optional)			
终端固定件 End stopper	E-WS&E-PC&E-MK			

螺钉式连接技术1

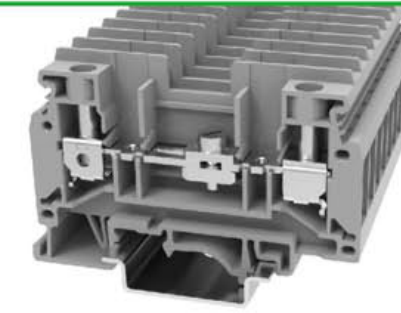
Screw connection technology 1

测试分断端子

Test disconnect terminal blocks

注：附件以及操作说明详见84页

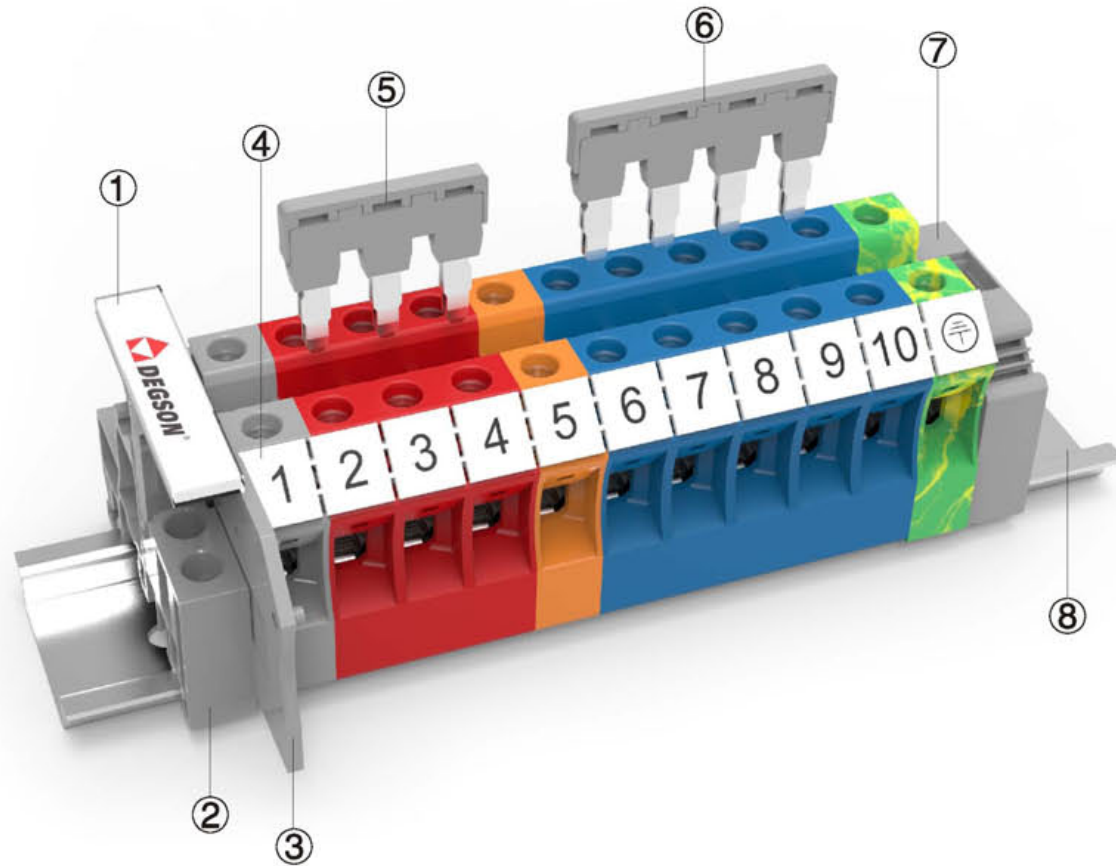
Notes: For additional accessories and operating instruction, see page 84.



DCTK 6

UL CE ENE RoHS REACH

尺寸 Dimension				
厚度/长度/高度(NS35/7.5&NS35/15) Width/Length/Height(NS35/7.5&NS35/15) mm	8/69/46.55(54.05)			
电气参数 Electrical Parameter	IEC IEC60947-7-1	UL UL1059	IEC IEC60947-7-1	UL UL1059
额定电压 Rated voltage V	630	300	630	300
额定电流 Rated current A	41	45	41	45
额定线径 Wire range mm ² /AWG	0.5-6	22-8	0.5-6	22-8
螺丝/额定扭力 Screw/Rated torque -/N.m(lb.in) (kgf.cm)	M4/1.2(10.53)(12.24)			
额定冲击电压/污染等级 Rated surge voltage/Degree of pollution KV/-	6/3			
过压类别 绝缘材料组别 Overvoltage category/Insulation material group -/-	III / I			
接线容量 Connection capacity	刚性 Solid	柔性 Stranded	冷压头(不带/带塑料套管) Femle (with and without plastic sleeve)	
1根线 1 conductor mm ²	0.5-6	0.5-6	0.5-4	0.5-4
两根带TWIN冷压头的柔性导线 2 conductors with same cross section, stranded, mm ² TWIN ferrules with plastic sleeve	-	-	-	0.5-2.5
一般信息 General information				
绝缘材质/阻燃等级(符合UL94) Insulation material/Flammability rating(according to UL 94)	PA/V0			
工作温度 Operation temperature °C (°F)	-40(-40)~105(221)			
剥线长度 Stripping length mm	10-11			
颜色 Color	灰色(可根据客户需求定制) Gray (customization demand is available)			
一字螺丝刀规格(刀厚×刀宽) Slotted screwdriver size (Blade thickness x Width) mm	1x4			
附件 Accessories				
插拔式桥接件(2-10P) Plug-in bridge (2-10P)	DFA6		/	
插入式(2-10P) Insertion bridge (2-10P)	/		/	
端板 End cover	D-DC6		D-DCTK6	
标记号 Marker	ZB8		ZB8	
DIN轨道 DIN rail	NS35/7.5 & NS35/15 (钢和铝合金材质可选) NS35/7.5 & NS35/15 (Steel and Aluminium alloy are optional)			
终端固定件 End stopper	E-WS&E-PC&E-MK			



描述 Description	品名 No.	备注 Remark
① 端子板标记 Terminal strip marker carrier	DLM2-01P-17-00A(H)	适用于E-PC, 用于标记 Suitable for E-PC, use for marking
② 终端固定件 End stopper	E-PC-01P-11-1000A(H)	用于NS35轨道产品固定 Fixing products on NS35 DIN rail
③ 端板 End cover	D-DC6-01P-11-00A(H)	用于DC10/DC10-PE产品的端板 End cover is used for DC10&DC10-PE
④ 标记条 Marker	ZB10-10P-19-00A(H)	用于DC10系列侧边的标记条 Marker is used for the side of DC10 series
⑤ 插入式桥接件 Plug-in bridge	DFA10-03P-11-00A(H)	03P适用于DC10桥接件 03P bridge, use for DC10
⑥ 插入式桥接件 Plug-in bridge	DFA10-04P-11-00A(H)	04P适用于DC10桥接件 04P bridge, use for DC10
⑦ 终端固定件 End stopper	E-WS-01P-11-00A(H)	用于NS35轨道产品固定 Fixing products on NS35 DIN rail
⑧ 轨道条 DIN rail	NS35/7.5-0150-00A(H)	NS35轨道条 NS35 DIN rail

电路图 Circuit diagram

	○ 接线接点 Connection point for wiring	— 保险丝连接 Fuse connection	⏏ 分断连接 Disconnecting
	● 桥接接点 Connection point for bridging	□ 电阻连接 Resistance connection	• 电路接点 Circuit connection point
	⚡ LED灯连接 LED light connection	⏏ 接地连接 Grounding connection	⚡ 二极管连接 Diode connection

螺钉式连接技术1

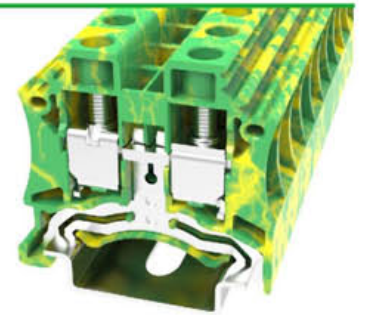
Screw connection technology 1

直通式和接地端子

Feed-through and ground terminal blocks

 注: 附件以及操作说明详见87页
 Notes: For additional accessories and operating instruction, see page 87.


DC 10

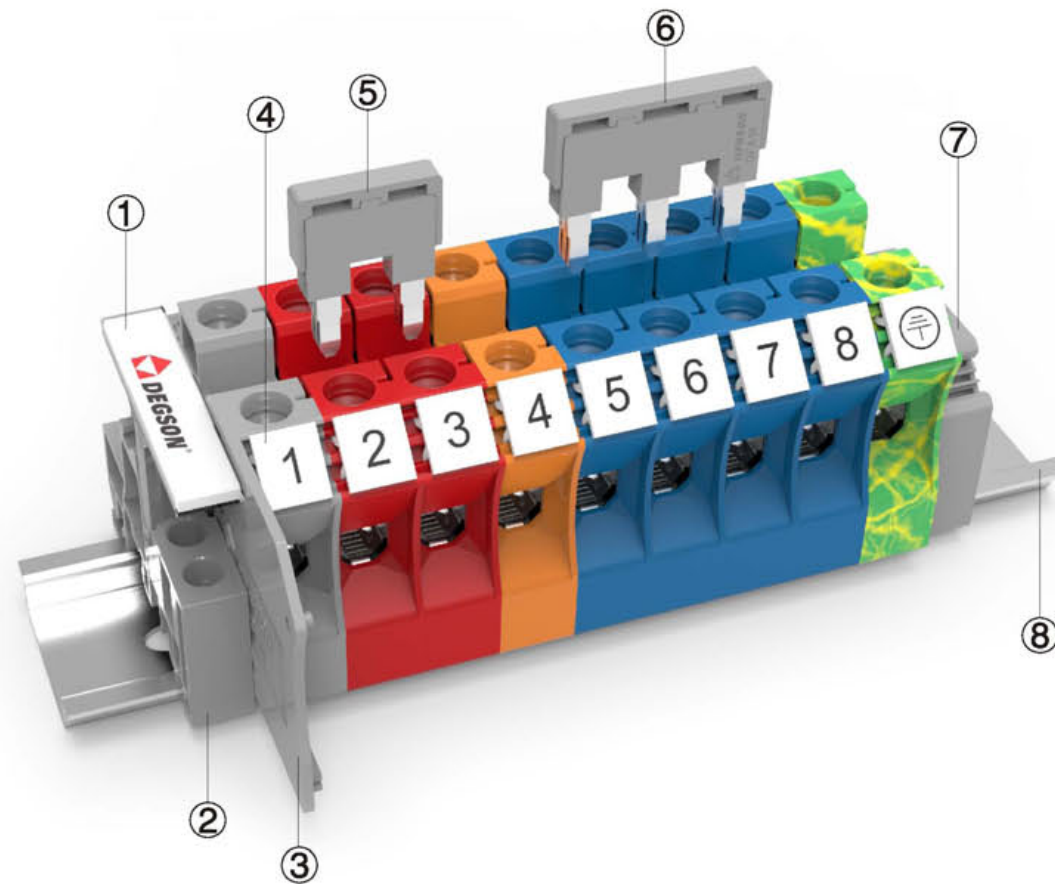


DC 10-PE

CE ENEC RoHS REACH

CE ENEC RoHS REACH

尺寸 Dimension	CE ENEC RoHS REACH			CE ENEC RoHS REACH		
	IEC IEC60947-7-1	UL UL1059	IEC IEC60947-7-2	UL UL1059	IEC IEC60947-7-2	UL UL1059
厚度/长度/高度(NS35/7.5&NS35/15) Width/Length/Height(NS35/7.5&NS35/15) mm	10/43.5/43.5(51)			10/43.5/43.5(51)		
电气参数 Electrical Parameter						
额定电压 Rated voltage V	1000	600	/	/	/	/
额定电流 Rated current A	57	65	/	/	/	/
额定线径 Wire range mm ² /AWG	0.5-10		22-6		0.5-10 22-6	
螺丝/额定扭力 Screw/Rated torque -/N.m(lb.in) (kgf.cm)	M4/1.2(10.53)(12.24)			M4/1.2(10.53)(12.24)		
额定冲击电压/污染等级 Rated surge voltage/Degree of pollution KV/-	8/3			8/3		
过压类别 绝缘材料组别 Overvoltage category/Insulation material group -/-	III / I			III / I		
接线容量 Connection capacity	刚性 Solid	柔性 Stranded	冷压头 (不带/带塑料套管) Femle (with and without plastic sleeve)	刚性 Solid	柔性 Stranded	冷压头 (不带/带塑料套管) Femle (with and without plastic sleeve)
1根线 1 conductor mm ²	0.5-10	0.5-10	0.5-6 0.5-6	0.5-10	0.5-10	0.5-6 0.5-6
两根带TWIN冷压头的柔性导线 2 conductors with same cross section, stranded, mm ² TWIN ferrules with plastic sleeve	—	—	— 0.5-4	—	—	— 0.5-4
一般信息 General information						
绝缘材质/阻燃等级 (符合UL94) Insulation material/Flammability rating(according to UL 94)	PA/V0			PA/V0		
工作温度 Operation temperature °C (°F)	-40(-40)~105(221)			-40(-40)~105(221)		
剥线长度 Stripping length mm	10-12			10-12		
颜色 Color	灰色 (可根据客户需求定制) Gray (customization demand is available)			黄绿混色 Green-yellow		
一字螺丝刀规格 (刀厚×刀宽) Slotted screwdriver size (Blade thickness x Width) mm	1x4			1x4		
附件 Accessories						
插拔式桥接件 (2-10P) Plug-in bridge (2-10P)	DFA10			/		
插入式 (2-10P) Insertion bridge (2-10P)	/			/		
端板 End cover	D-DC6			D-DC6		
标记号 Marker	ZB8			ZB8		
DIN轨道 DIN rail	NS35/7.5 & NS35/15 (钢和铝合金材质可选) NS35/7.5 & NS35/15 (Steel and Aluminium alloy are optional)			NS35/7.5 & NS35/15 (钢和铝合金材质可选) NS35/7.5 & NS35/15 (Steel and Aluminium alloy are optional)		
终端固定件 End stopper	E-WS&E-PC&E-MK			E-WS&E-PC&E-MK		



描述 Description	品名 No.	备注 Remark
① 端子板标记 Terminal strip marker carrier	DLM2-01P-17-00A(H)	适用于E-PC, 用于标记 Suitable for E-PC, use for marking
② 终端固定件 End stopper	E-PC-01P-11-1000A(H)	用于NS35轨道产品固定 Fixing products on NS35 DIN rail
③ 端板 End cover	D-DC16-01P-11-00A(H)	用于DC16/DC16-PE产品的端板 End cover is used for DC16&DC16-PE
④ 标记条 Marker	ZB10-10P-19-00A(H)	用于DC16系列侧边的标记条 Marker is used for the side of DC16 series
⑤ 插入式桥接件 Plug-in bridge	DFA16-02P-11-00A(H)	02P适用于DC16桥接件 02P bridge, use for DC16
⑥ 插入式桥接件 Plug-in bridge	DFA16-03P-11-00A(H)	03P适用于DC16桥接件 03P bridge, use for DC16
⑦ 终端固定件 End stopper	E-WS-01P-11-00A(H)	用于NS35轨道产品固定 Fixing products on NS35 DIN rail
⑧ 轨道条 DIN rail	NS35/7.5-0150-00A(H)	NS35轨道条 NS35 DIN rail

电路图 Circuit diagram

	○ 接线接点 Connection point for wiring	— 保险丝连接 Fuse connection	⏏ 分断连接 Disconnecting
	● 桥接接点 Connection point for bridging	□ 电阻连接 Resistance connection	• 电路连接点 Circuit connection point
	⚡ LED灯连接 LED light connection	⏏ 接地连接 Grounding connection	⏏ 二极管连接 Diode connection

螺钉式连接技术1

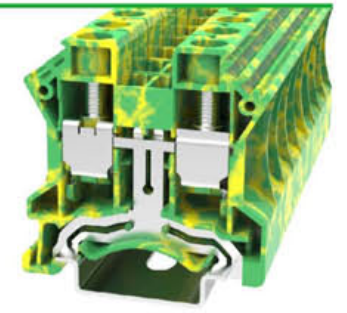
Screw connection technology 1

直通式和接地端子

Feed-through and ground terminal blocks

 注: 附件以及操作说明详见89页
 Notes: For additional accessories and operating instruction, see page 89.


DC 16

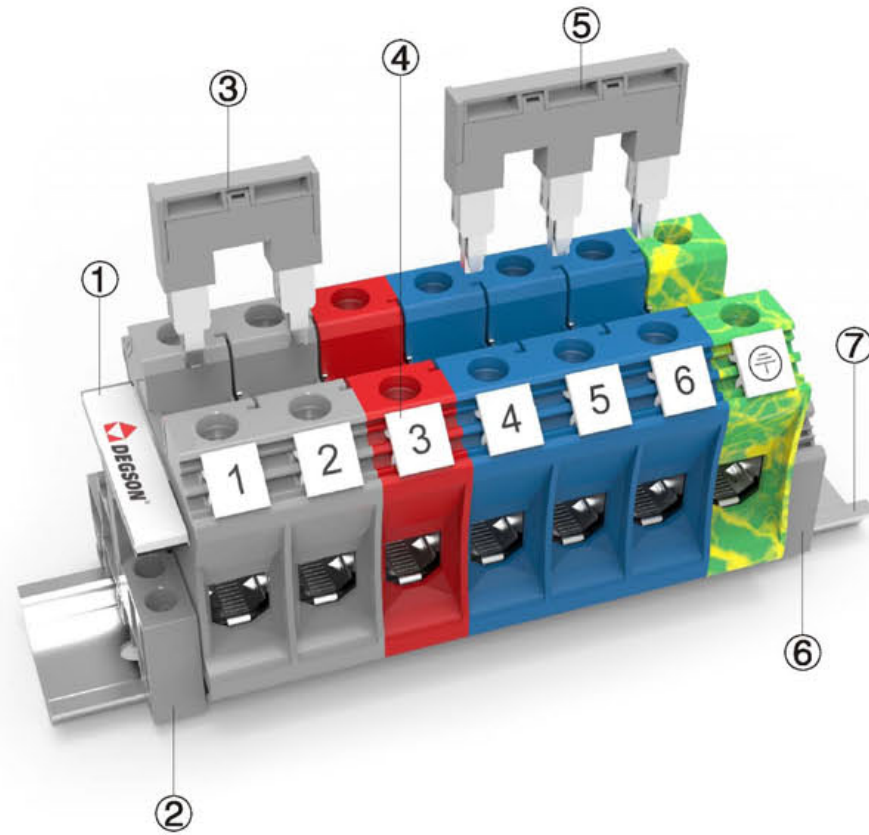


DC 16-PE

CE ENEC RoHS REACH

CE ENEC RoHS REACH

尺寸 Dimension	CE ENEC RoHS REACH				CE ENEC RoHS REACH			
	12/49/50.9(58.4)		12/49/50.9(58.4)		12/49/50.9(58.4)		12/49/50.9(58.4)	
厚度/长度/高度(NS35/7.5&NS35/15) Width/Length/Height(NS35/7.5&NS35/15) mm								
电气参数 Electrical Parameter	IEC IEC60947-7-1	UL UL1059	IEC IEC60947-7-2	UL UL1059	IEC IEC60947-7-2	UL UL1059	IEC IEC60947-7-2	UL UL1059
额定电压 Rated voltage V	1000	600	/	/	/	/	/	/
额定电流 Rated current A	76	100	/	/	/	/	/	/
额定线径 Wire range mm ² /AWG	0.75-25		14-3		0.75-25		14-3	
螺丝/额定扭力 Screw/Rated torque -/N.m(lb.in) (kgf.cm)	M5/2.5(27)(25)				M5/2.5(27)(25)			
额定冲击电压/污染等级 Rated surge voltage/Degree of pollution KV/-	8/3				8/3			
过压类别 绝缘材料组别 Overvoltage category/Insulation material group -/-	III / I				III / I			
接线容量 Connection capacity	刚性 Solid	柔性 Stranded	冷压头 (不带/带塑料套管) Ferrule (with and without plastic sleeve)	冷压头 (不带/带塑料套管) Ferrule (with and without plastic sleeve)	刚性 Solid	柔性 Stranded	冷压头 (不带/带塑料套管) Ferrule (with and without plastic sleeve)	冷压头 (不带/带塑料套管) Ferrule (with and without plastic sleeve)
1根线 1 conductor mm ²	1.5-25	1.5-25	1-16	1-16	1.5-25	1.5-25	1-16	1-16
两根带TWIN冷压头的柔性导线 2 conductors with same cross section, stranded, mm ² TWIN ferrules with plastic sleeve	-	-	-	0.75-6	-	-	-	0.75-6
一般信息 General information								
绝缘材质/阻燃等级 (符合UL94) Insulation material/Flammability rating(according to UL 94)	PA/V0				PA/V0			
工作温度 Operation temperature °C (°F)	-40(-40)~105(221)				-40(-40)~105(221)			
剥线长度 Stripping length mm	12-13				12-13			
颜色 Color	灰色 (可根据客户需求定制) Gray (customization demand is available)				黄绿混色 Green-yellow			
一字螺丝刀规格 (刀厚×刀宽) Slotted screwdriver size (Blade thickness x Width) mm	1x6.5				1x6.5			
附件 Accessories								
插拔式桥接件 (2-3P) Plug-in bridge (2-3P)	DFA16				/			
插入式 (2-10P) Insertion bridge (2-10P)	/				/			
端板 End cover	D-DC16				D-DC16			
标记号 Marker	ZB10				ZB10			
DIN轨道 DIN rail	NS35/7.5 & NS35/15 (钢和铝合金材质可选) NS35/7.5 & NS35/15 (Steel and Aluminium alloy are optional)				NS35/7.5 & NS35/15 (钢和铝合金材质可选) NS35/7.5 & NS35/15 (Steel and Aluminium alloy are optional)			
终端固定件 End stopper	E-WS&E-PC&E-MK				E-WS&E-PC&E-MK			



描述 Description	品名 No.	备注 Remark
① 端子板标记 Terminal strip marker carrier	DLM2-01P-17-00A(H)	适用于E-PC, 用于标记 Suitable for E-PC, use for marking
② 终端固定件 End stopper	E-PC-01P-11-1000A(H)	用于NS35轨道产品固定 Fixing products on NS35 DIN rail
③ 插入式桥接件 Plug-in bridge	DFA35-02P-11-00A(H)	02P适用于DC35桥接件 02P bridge, use for DC35
④ 标记条 Marker	ZB10-10P-19-00A(H)	用于DC35系列侧边的标记条 Marker is used for the side of DC35 series
⑤ 插入式桥接件 Plug-in bridge	DFA35-03P-11-00A(H)	03P适用于DC35桥接件 03P bridge, use for DC35
⑥ 终端固定件 End stopper	E-WS-01P-11-00A(H)	用于NS35轨道产品固定 Fixing products on NS35 DIN rail
⑦ 轨道条 DIN rail	NS35/7.5-0150-00A(H)	NS35轨道条 NS35 DIN rail

电路图 Circuit diagram

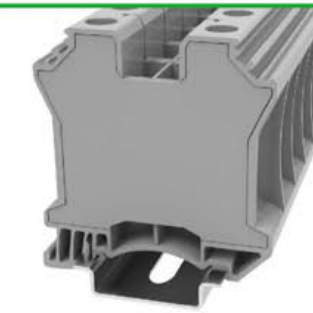
	○ 接线接点 Connection point for wiring	— 保险丝连接 Fuse connection	⏏ 分断连接 Disconnecting
	● 桥接接点 Connection point for bridging	□ 电阻连接 Resistance connection	• 电路接点 Circuit connection point
	⚡ LED灯连接 LED light connection	⏏ 接地连接 Grounding connection	⏏ 二极管连接 Diode connection

螺钉式连接技术1

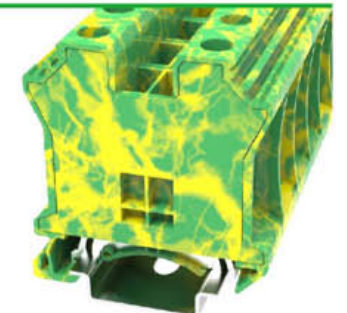
Screw connection technology 1

直通式和接地端子

Feed-through and ground terminal blocks

 注：附件以及操作说明详见91页
 Notes: For additional accessories and operating instruction, see page 91.


DC 35



DC 35-PE

尺寸 Dimension	CE ENEC RoHS REACH					
	DC 35		DC 35-PE			
厚度/长度/高度(NS35/7.5&NS35/15) Width/Length/Height(NS35/7.5&NS35/15) mm	16/55.4/61.3(68.8)					
电气参数 Electrical Parameter	IEC IEC60947-7-1	UL UL1059	IEC IEC60947-7-2	UL UL1059		
额定电压 Rated voltage V	1000	600	/	/		
额定电流 Rated current A	125	150	/	/		
额定线径 Wire range mm ² /AWG	1.5-50	14-1/0	1.5-50	14-1/0		
螺丝/额定扭力 Screw/Rated torque -/N.m(lb.in) (kgf.cm)	M6/3.5(31)(35)					
额定冲击电压/污染等级 Rated surge voltage/Degree of pollution KV/-	8/3					
过压类别 绝缘材料组别 Overvoltage category/Insulation material group -/-	III / I					
接线容量 Connection capacity	刚性 Solid	柔性 Stranded	冷压头(不带/带塑料套管) Female (with and without plastic sleeve)	刚性 Solid	柔性 Stranded	冷压头(不带/带塑料套管) Female (with and without plastic sleeve)
1根线 1 conductor mm ²	2.5-50	2.5-50	1.5-25 1.5-25	2.5-50	2.5-50	1.5-25 1.5-25
两根带TWIN冷压头的柔性导线 2 conductors with same cross section, stranded, mm ² TWIN ferrules with plastic sleeve	-	-	- 1.5-10	-	-	- 1.5-10
一般信息 General information						
绝缘材质/阻燃等级(符合UL94) Insulation material/Flammability rating(according to UL 94)	PA/V0					
工作温度 Operation temperature °C (°F)	-40(-40)~105(221)					
剥线长度 Stripping length mm	14-16					
颜色 Color	灰色(可根据客户需求定制) Gray (customization demand is available)					
一字螺丝刀规格(刀厚×刀宽) Slotted screwdriver size (Blade thickness x Width) mm	1x6.5					
附件 Accessories						
插拔式桥接件(2-3P) Plug-in bridge (2-3P)	DFA35		/			
插入式(2-10P) Insertion bridge (2-10P)	/		/			
端板 End cover	/		/			
标记号 Marker	ZB10		ZB10			
DIN轨道 DIN rail	NS35/7.5 & NS35/15 (钢和铝合金材质可选) NS35/7.5 & NS35/15 (Steel and Aluminium alloy are optional)					
终端固定件 End stopper	E-WS&E-PC&E-MK		E-WS&E-PC&E-MK			