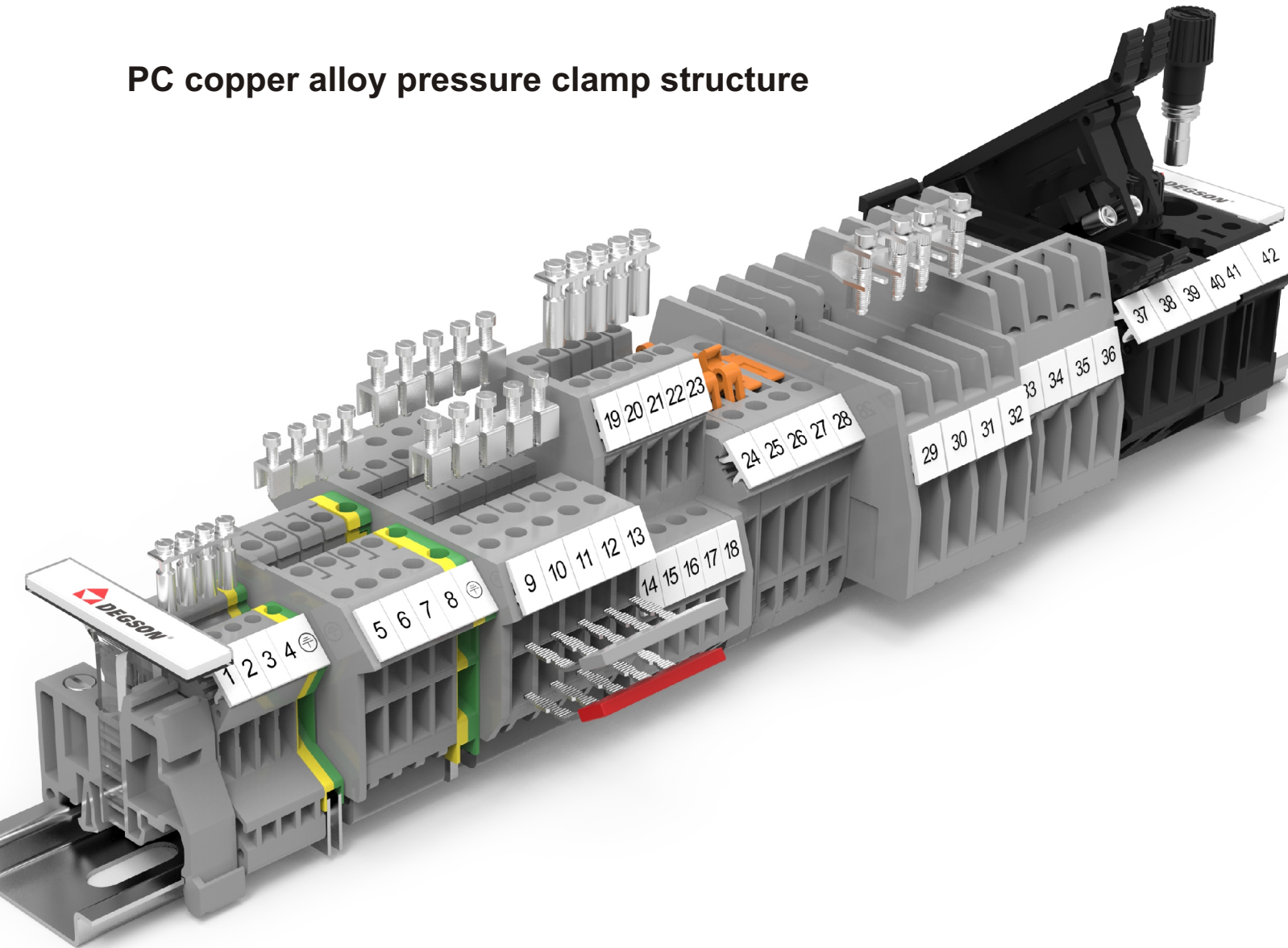
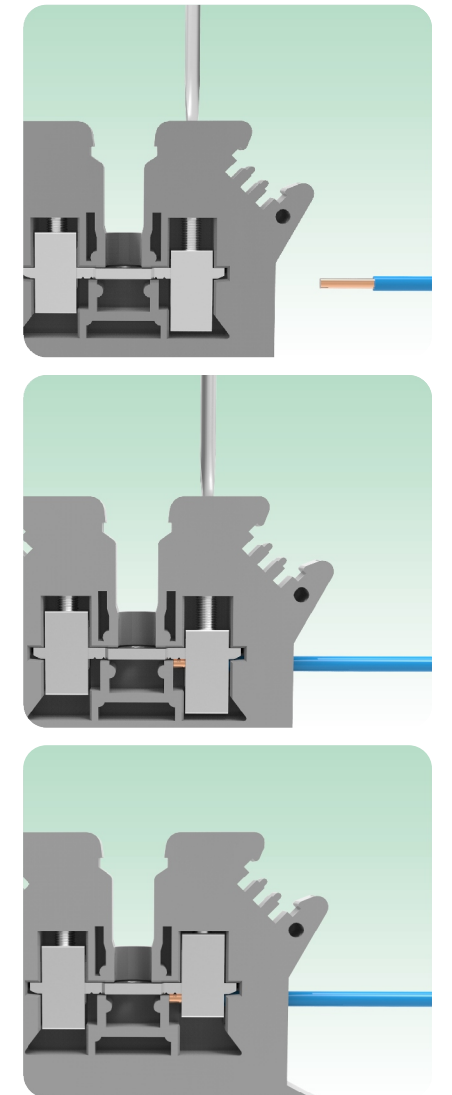
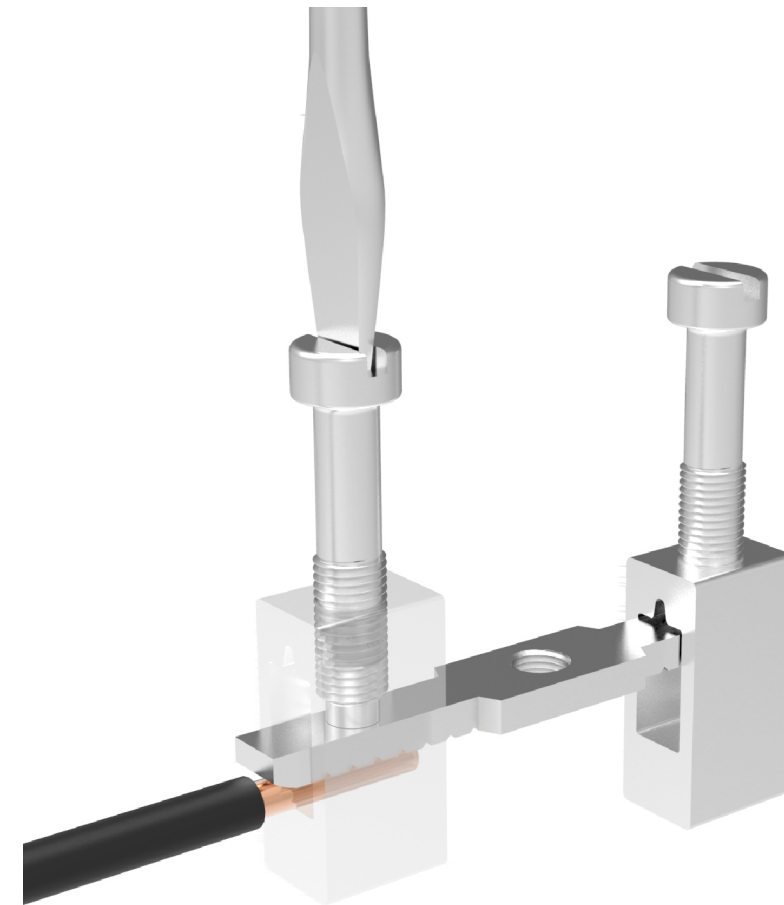


### PC copper alloy pressure clamp structure



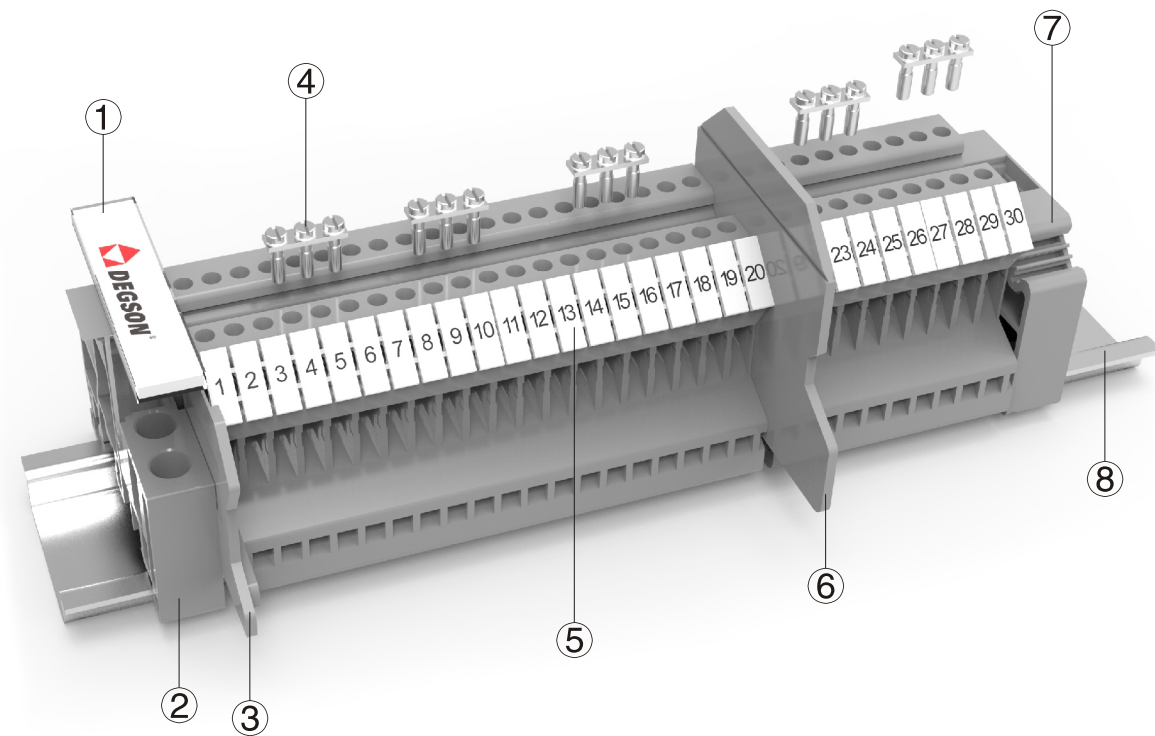
#### Feature

- Brass screw connection technology, reliable connection.
- With fixed jumper, more flexible electrical connection test.
- Copper alloy material, good corrosion resistance.
- Complete product line can satisfy clients' different requirements.
- Optional marker to avoid wire mis-inserting.



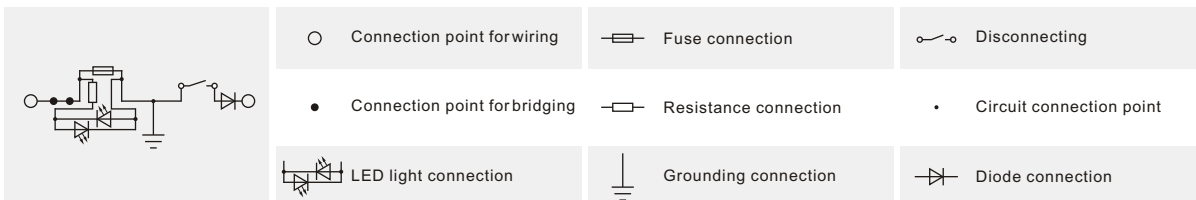
PC brass screw connection terminal blocks (brass screw and brass block with clamping wire) have good corrosion resistance. High-precision copper alloy conductors provide the lowest temperature rise, ensuring reliable and safe connections. PA66 plastic parts can meet the working environment of -40 °C to 105°C, and all PC series of din rail products are in line with UL94 V0 flame retardant grade.

Traditional screw terminal blocks: full product line provide different solutions for various industries.



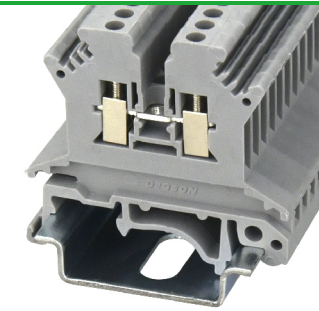
Description	Part No.	Remark
① Terminal strip marker carrier	DLM2-01P-17-00A(H)	Suitable for E-PC, use for marking
② End stopper	E-PC-01P-11-1000A(H)	Fixing products on NS35 DIN rail
③ End cover	D-PC1.5-01P-11-00A(H)	End cover is used for PC1.5
④ Fixed bridge	FBR13-4-00A(H)	03P bridge, use for PC1.5
⑤ Marker	ZB4-10P-19-00A(H)	Marker is used for the side of PC1.5
⑥ Partition plate	ATP-PC-01P-11-00A(H)	End cover is used for PC1.5
⑦ End stopper	E-WS-01P-11-00A(H)	Fixing products on NS35 DIN rail
⑧ DIN rail	NS35/7.5-0150-00A(H)	NS35 DIN rail

Circuit diagram



Screw connection technology 2

Feed-through terminal blocks

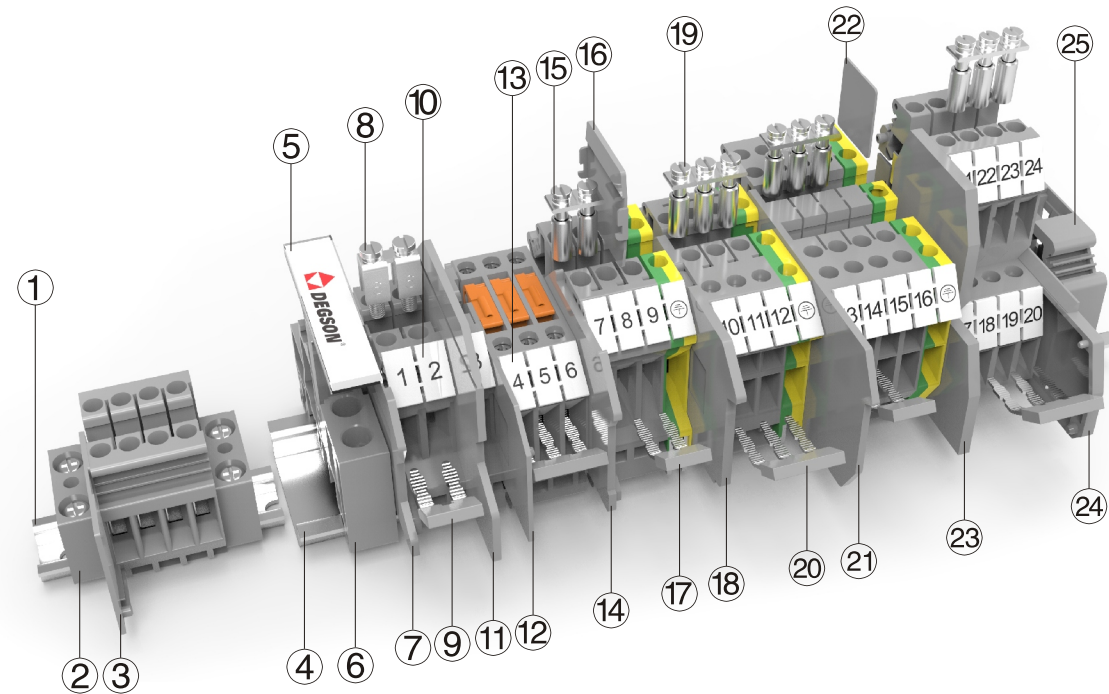


Notes: For additional accessories and operating instruction, see page 95.

PC 1.5

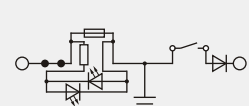
UL US CE ENE RoHS REACH

Dimension		4.2/42.5/42.05(49.55)			
Width/Length/Height(NS35/7.5&NS35/15) mm		4.2/42.5/42.05(49.55)			
Electrical Parameter		IEC IEC60947-7-1	UL UL1059		
Rated voltage	V	500	600		
Rated current	A	17.5	10		
Wire range	mm <sup>2</sup> /AWG	0.2-1.5	28-16		
Screw/Rated torque	-/N.m(lb.in)(kgf.cm)	M2.5/0.2(1.77)(2.04)			
Rated surge voltage/Degree of pollution	KV/-	6/3			
Overvoltage category/Insulation material group	-/-	III / I			
Connection capacity		Solid	Stranded	Ferrule (with and without plastic sleeve)	
1 conductor	mm <sup>2</sup>	0.2-1.5	0.2-1.5	0.2-1.5	0.2-0.5
2 conductors with same cross section, stranded, TWIN ferrules with plastic sleeve	mm <sup>2</sup>	—	—	—	0.5
General information					
Insulation material/Flammability rating(according to UL 94)		PA/V0			
Operation temperature	°C ( °F )	-40(-40)~105(221)			
Stripping length	mm	6-7			
Color		Gray ( customization demand is available )			
Slotted screwdriver size (Blade thickness x Width) mm		0.4x2.5			
Accessories					
Fixed bridge ( 10P )		FBR10-4			
Insertion bridge ( 2-10P )		/			
End cover		D-PC1.5			
Separating plate		/			
Partition plate		ATP-PC			
Marker		ZB4			
DIN rail		NS35/7.5 & NS35/15 ( Steel and Aluminium alloy are optional )			
End stopper		E-WS&E-PC&E-MK			



Description	Part No.	Remark
① DIN rail	NS15-0050-00A(H)	NS15 DIN rail
② End stopper	E-PC-DIN15-01P-11-1000A(H)	Fixing products on NS15 DIN rail
③ End cover	D-PCMB2.5-01P-11-00A(H)	End cover is used for PCMB2.5
④ DIN rail	NS35/7.5-0150-00A(H)	NS35 DIN rail
⑤ Terminal strip marker carrier	DLM2-01P-17-00A(H)	Suitable for E-PC, use for marking
⑥ End stopper	E-PC-01P-11-1000A(H)	Fixing products on NS35 DIN rail
⑦ End cover	D-PC1.5-01P-11-00A(H)	End cover is used for PC2.5B
⑧ Fixed bridge	FBI2-6-00A(H)	02P bridge, use for PC2.5B
⑨ Insertion bridge	EB2-6-11-00A(H)	02P bridge, use for PC2.5B
⑩ Marker	ZB6-10P-19-00A(H)	Marker is used for the side of PC2.5B
⑪ Partition plate	ATP-PC-01P-11-00A(H)	End cover is used for PC2.5 series
⑫ End cover	D-PCMT2.5-01P-11-00A(H)	End cover is used for PCMT2.5
⑬ Marker	ZB5-10P-19-00A(H)	Marker is used for the side of PC2.5 series
⑭ End cover	D-PC2.5-01P-11-00A(H)	End cover is used for PC2.5
⑮ Fixed bridge	FBR12-5-00A(H)	02P bridge, use for PC2.5
⑯ Separating plate	TS-K-01P-11-00A(H)	The separating plate is used for PC2.5, PCMB2.5
⑰ Insertion bridge	EB2-5-11-00A(H)	02P bridge, use for PC2.5 series
⑱ End cover	D-PC4-TW-01P-11-00A(H)	End cover is used for PC2.5-TW
⑲ Fixed bridge	FBR13-5-00A(H)	03P bridge, use for PC2.5 series
⑳ Insertion bridge	EB3-5-11-00A(H)	03P bridge, use for PC2.5 series
㉑ End cover	D-PCDK2.5-01P-11-00A(H)	End cover is used for PCDK2.5
㉒ Separating plate	TS-KK3-01P-11-00A(H)	The separating plate is used for PCDK2.5, PC2.5B, PCKK2.5
㉓ End cover	D-PCKK2.5-01P-11-00A(H)	End cover is used for PCKK2.5
㉔ Compensation plate	DP-PCKK2.5-01P-11-00A(H)	End cover is used for PCKK2.5 series
㉕ End stopper	E-WS-01P-11-00A(H)	Fixing products on NS35 DIN rail

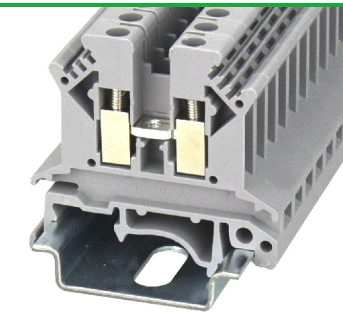
Circuit diagram



Connection point for wiring	Fuse connection	Disconnecting
Connection point for bridging	Resistance connection	Circuit connection point
LED light connection	Grounding connection	Diode connection

Screw connection technology 2

Feed-through, multi-conductor, multi-level, and ground terminal blocks



PC 2.5B

UL US CE ENE RoHS REACH

Dimension	6.2/42.5/42.05(49.55)			
Width/Length/Height(NS35/7.5&NS35/15) mm				
Electrical Parameter	IEC IEC60947-7-1	UL UL1059		
Rated voltage V	800	600		
Rated current A	24	20		
Wire range mm <sup>2</sup> /AWG	0.2-2.5		24-12	
Screw/Rated torque -/N.m(lb.in)(kgf.cm)	M3/0.5(4.43)(5.1)			
Rated surge voltage/Degree of pollution KV/-	8/3			
Overvoltage category/Insulation material group -/-	III / I			
Connection capacity	Solid	Stranded	Ferrule (with and without plastic sleeve)	
1 conductor mm <sup>2</sup>	0.2-2.5	0.2-2.5	0.2-2.5	0.2-1.5
2 conductors with same cross section, stranded, TWIN ferrules with plastic sleeve mm <sup>2</sup>	-	-	-	0.5-0.75
General information				
Insulation material/Flammability rating(according to UL 94)	PA/V0			
Operation temperature °C ( °F )	-40(-40)-105(221)			
Stripping length mm	6-7			
Color	Gray ( customization demand is available )			
Slotted screwdriver size (Blade thickness x Width) mm	0.6x3.5			

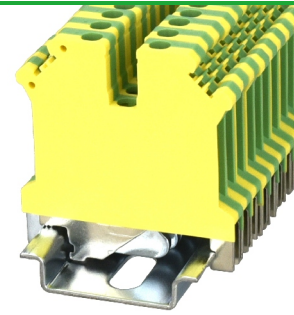
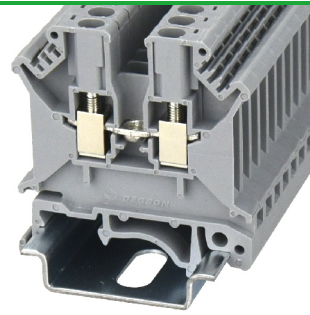
Accessories

Fixed bridge ( 10P )		FBI10-6
Insertion bridge ( 2-10P )		EB2-6 EB3-6 EB10-6
End cover		D-PC1.5
Separating plate		TS-KK3
Partition plate		ATP-PC
Marker		ZB6
DIN rail		NS35/7.5 & NS35/15 ( Steel and Aluminium alloy are optional )
End stopper		E-WS&E-PC&E-MK



Screw connection technology 2

Feed-through, multi-conductor, multi-level, and ground terminal blocks

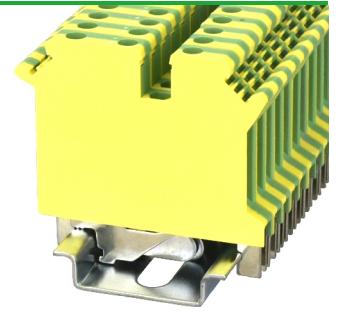
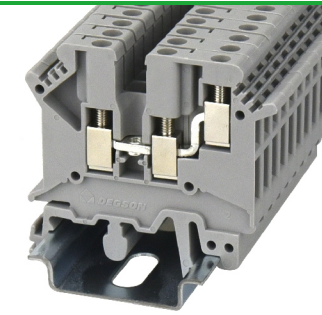

**PC 2.5**
**PC 2.5-PE**

Notes: For additional accessories and operating instruction, see page 97.

Dimension		IEC IEC60947-7-1				UL UL1059			
Width/Length/Height(NS35/7.5&NS35/15) mm		5.2/42.5/47.25(54.75)				5.2/42.5/47.25(54.75)			
Electrical Parameter		IEC IEC60947-7-1				UL UL1059			
Rated voltage	V	800				600			
Rated current	A	24				20			
Wire range	mm <sup>2</sup> /AWG	0.2-2.5				24-12			
Screw/Rated torque	-/N.m(lb.in)(kgf.cm)	M3/0.5(4.43)(5.1)				M3/0.5(4.43)(5.1)			
Rated surge voltage/Degree of pollution	KV/-	8/3				8/3			
Overvoltage category/Insulation material group	-/-	III / I				III / I			
Connection capacity		Solid	Stranded	Ferrule (with and without plastic sleeve)		Solid	Stranded	Ferrule (with and without plastic sleeve)	
1 conductor	mm <sup>2</sup>	0.2-2.5	0.2-2.5	0.2-2.5	0.2-1.5	0.2-2.5	0.2-2.5	0.2-2.5	0.2-1.5
2 conductors with same cross section, stranded, TWIN ferrules with plastic sleeve	mm <sup>2</sup>	—	—	—	0.5-0.75	—	—	—	0.5-0.75
General information		PA/V0				PA/V0			
Insulation material/Flammability rating(according to UL 94)		PA/V0				PA/V0			
Operation temperature	°C ( °F )	-40(-40)~105(221)				-40(-40)~105(221)			
Stripping length	mm	6-7				9-10			
Color		Gray ( customization demand is available )				Green-yellow			
Slotted screwdriver size (Blade thickness x Width) mm		0.6x3.5				0.6x3.5			
Accessories		FBR10-5				/			
Fixed bridge ( 10P )		FBR10-5				/			
Insertion bridge ( 2-10P )		EB2-5 EB3-5 EB10-5				EB2-5 EB3-5 EB10-5			
End cover		D-PC2.5				/			
Separating plate		TS-K				/			
Partition plate		ATP-PC				/			
Marker		ZB5				ZB5			
DIN rail		NS35/7.5 & NS35/15 ( Steel and Aluminium alloy are optional )				NS35/7.5 & NS35/15 ( Steel and Aluminium alloy are optional )			
End stopper		E-WS&E-PC&E-MK				E-WS&E-PC&E-MK			

Screw connection technology 2

Feed-through, multi-conductor, multi-level, and ground terminal blocks


**PC 2.5-TW**
**PC 2.5-TW-PE**

Notes: For additional accessories and operating instruction, see page 97.

Dimension		IEC IEC60947-7-1				UL UL1059			
Width/Length/Height(NS35/7.5&NS35/15) mm		5.2/50.5/47.25(54.75)				5.2/50.5/47.25(54.75)			
Electrical Parameter		IEC IEC60947-7-1				UL UL1059			
Rated voltage	V	400				300			
Rated current	A	24				20			
Wire range	mm <sup>2</sup> /AWG	0.2-2.5				30-12			
Screw/Rated torque	-/N.m(lb.in)(kgf.cm)	M3/0.5(4.43)(5.1)				M3/0.5(4.43)(5.1)			
Rated surge voltage/Degree of pollution	KV/-	6/3				6/3			
Overvoltage category/Insulation material group	-/-	III / I				III / I			
Connection capacity		Solid	Stranded	Ferrule (with and without plastic sleeve)		Solid	Stranded	Ferrule (with and without plastic sleeve)	
1 conductor	mm <sup>2</sup>	0.2-2.5	0.2-2.5	0.2-2.5	0.2-1.5	0.2-2.5	0.2-2.5	0.2-2.5	0.2-1.5
2 conductors with same cross section, stranded, TWIN ferrules with plastic sleeve	mm <sup>2</sup>	—	—	—	0.2-0.75	—	—	—	0.2-0.75
General information		PA/V0				PA/V0			
Insulation material/Flammability rating(according to UL 94)		PA/V0				PA/V0			
Operation temperature	°C ( °F )	-40(-40)~105(221)				-40(-40)~105(221)			
Stripping length	mm	9-10				7-8			
Color		Gray ( customization demand is available )				Green-yellow			
Slotted screwdriver size (Blade thickness x Width) mm		0.6x3.5				0.6x3.5			
Accessories		FBR10-5				/			
Fixed bridge ( 10P )		FBR10-5				/			
Insertion bridge ( 2-10P )		EB2-5 EB3-5 EB10-5				EB2-5 EB3-5 EB10-5			
End cover		D-PC4-TW				/			
Separating plate		/				/			
Partition plate		/				/			
Marker		ZB5				ZB5			
DIN rail		NS35/7.5 & NS35/15 ( Steel and Aluminium alloy are optional )				NS35/7.5 & NS35/15 ( Steel and Aluminium alloy are optional )			
End stopper		E-WS&E-PC&E-MK				E-WS&E-PC&E-MK			



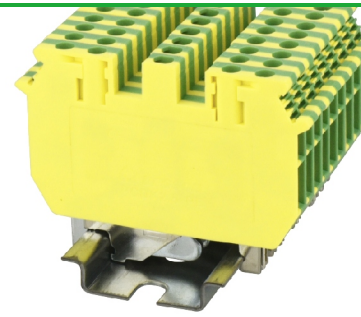
Screw connection technology 2

Feed-through, multi-conductor, multi-level, and ground terminal blocks



**PCDK 2.5**

UL US CE ENEC RoHS REACH



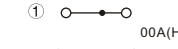
**PCDK 2.5-PE**

CE ENEC RoHS REACH

Dimension									
Width/Length/Height(NS35/7.5&NS35/15) mm		5.2/54.5/47.25(54.75)				5.2/54.5/47.25(54.75)			
Electrical Parameter		IEC IEC60947-7-1		UL UL1059		IEC IEC60947-7-2		UL UL1059	
Rated voltage	V	500		300		/		/	
Rated current	A	24		20		/		/	
Wire range	mm <sup>2</sup> /AWG	0.2-2.5		24-12		0.2-2.5		24-12	
Screw/Rated torque	-/N.m(lb.in)(kgf.cm)	M3/0.5(4.43)(5.1)				M3/0.5(4.43)(5.1)			
Rated surge voltage/Degree of pollution	KV/-	6/3				6/3			
Overvoltage category/Insulation material group	-/-	III / I				III / I			
Connection capacity		Solid	Stranded	Ferrule (with and without plastic sleeve)		Solid	Stranded	Ferrule (with and without plastic sleeve)	
1 conductor	mm <sup>2</sup>	0.2-2.5	0.2-2.5	0.2-2.5	0.2-1.5	0.2-2.5	0.2-2.5	0.2-2.5	0.2-1.5
2 conductors with same cross section, stranded, TWIN ferrules with plastic sleeve	mm <sup>2</sup>	-	-	-	0.5-0.75	-	-	-	0.5-0.75
General information									
Insulation material/Flammability rating(according to UL 94)		PA/V0				PA/V0			
Operation temperature °C ( °F )		-40(-40)~105(221)				-40(-40)~105(221)			
Stripping length mm		7-8				7-8			
Color		Gray ( customization demand is available )				Green-yellow			
Slotted screwdriver size (Blade thickness x Width) mm		0.6x3.5				0.6x3.5			
Accessories									
Fixed bridge ( 10P )		FBRI10-5				/			
Insertion bridge ( 2-10P )		EB2-5 EB3-5 EB10-5				EB2-5 EB3-5 EB10-5			
End cover		D-PCDK2.5				/			
Separating plate		TS-KK3				/			
Partition plate		/				/			
Marker		ZB5				ZB5			
DIN rail		NS35/7.5 & NS35/15 ( Steel and Aluminium alloy are optional )				NS35/7.5 & NS35/15 ( Steel and Aluminium alloy are optional )			
End stopper		E-WS&E-PC&E-MK				E-WS&E-PC&E-MK			

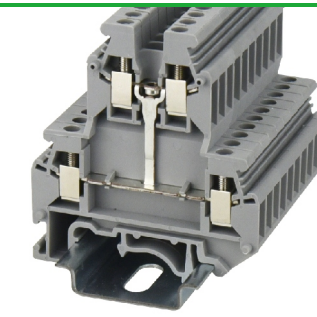
Screw connection technology 2

Feed-through, multi-conductor, multi-level, and ground terminal blocks



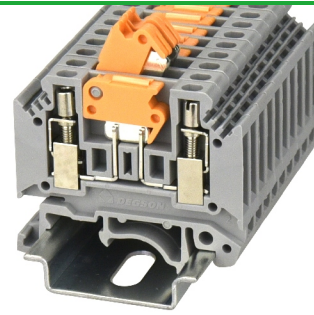
**PCKK 2.5**

UL US CE ENEC RoHS REACH

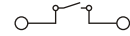


Dimension									
Width/Length/Height(NS35/7.5&NS35/15) mm		5.2/56/61.95(69.45)				5.2/56/61.95(69.45)			
Electrical Parameter		IEC IEC60947-7-1		UL UL1059		IEC IEC60947-7-2		UL UL1059	
Rated voltage	V	500		300		/		/	
Rated current	A	24		20		/		/	
Wire range	mm <sup>2</sup> /AWG	0.2-2.5		30-12		0.2-2.5		24-12	
Screw/Rated torque	-/N.m(lb.in)(kgf.cm)	M3/0.5(4.43)(5.1)				M3/0.5(4.43)(5.1)			
Rated surge voltage/Degree of pollution	KV/-	6/3				6/3			
Overvoltage category/Insulation material group	-/-	III / I				III / I			
Connection capacity		Solid	Stranded	Ferrule (with and without plastic sleeve)		Solid	Stranded	Ferrule (with and without plastic sleeve)	
1 conductor	mm <sup>2</sup>	0.2-2.5	0.2-2.5	0.2-2.5	0.2-1.5	0.2-2.5	0.2-2.5	0.2-2.5	0.2-1.5
2 conductors with same cross section, stranded, TWIN ferrules with plastic sleeve	mm <sup>2</sup>	-	-	-	0.5-0.75	-	-	-	0.5-0.75
General information									
Insulation material/Flammability rating(according to UL 94)		PA/V0				PA/V0			
Operation temperature °C ( °F )		-40(-40)~105(221)				-40(-40)~105(221)			
Stripping length mm		8-9				8-9			
Color		Gray ( customization demand is available )				Gray ( customization demand is available )			
Slotted screwdriver size (Blade thickness x Width) mm		0.6x3.5				0.6x3.5			
Accessories									
Fixed bridge ( 10P )		FBRI10-5				/			
Insertion bridge ( 2-10P )		EB2-5 EB3-5 EB10-5				EB2-5 EB3-5 EB10-5			
End cover		D-PCKK2.5				/			
Separating plate		TS-KK3				/			
Partition plate		/				/			
Compensation plate		DP-PCKK2.5				/			
Marker		ZB5				ZB5			
DIN rail		NS35/7.5 & NS35/15 ( Steel and Aluminium alloy are optional )				NS35/7.5 & NS35/15 ( Steel and Aluminium alloy are optional )			
End stopper		E-WS&E-PC&E-MK				E-WS&E-PC&E-MK			

Screw connection technology 2



Knife disconnect terminal blocks



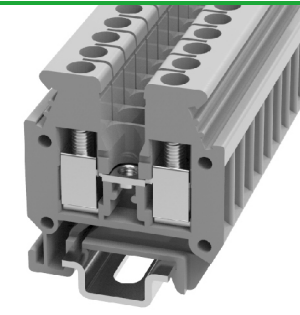
Notes: For additional accessories and operating instruction, see page 97.

PCMT 2.5

CE ENEC RoHS REACH

Dimension					
Width/Length/Height(NS35/7.5&NS35/15) mm		5.2/46/48.18(55.68)			
Electrical Parameter		IEC IEC60947-7-1	UL UL1059		
Rated voltage	V	500	300		
Rated current	A	16	16		
Wire range	mm <sup>2</sup> /AWG	0.2-2.5	24-14		
Screw/Rated torque	-/N.m(lb.in)(kgf.cm)	M3/0.5(4.43)(5.1)			
Rated surge voltage/Degree of pollution	KV/-	6/3			
Overvoltage category/Insulation material group	-/-	III / I			
Connection capacity		Solid	Stranded	Ferrule (with and without plastic sleeve)	
1 conductor	mm <sup>2</sup>	0.2-2.5	0.2-2.5	0.2-2.5	0.2-1.5
2 conductors with same cross section, stranded, TWIN ferrules with plastic sleeve	mm <sup>2</sup>	—	—	—	0.5-0.75
General information					
Insulation material/Flammability rating(according to UL 94)		PA/V0			
Operation temperature	°C ( °F )	-40(-40)~105(221)			
Stripping length	mm	8-9			
Color		Gray ( customization demand is available )			
Slotted screwdriver size (Blade thickness x Width) mm		0.6x3.5			
Accessories					
Fixed bridge ( 10P )		/			
Insertion bridge ( 2-10P )		EB2-5 EB3-5 EB10-5			
End cover		D-PCMT2.5			
Separating plate		/			
Partition plate		/			
Marker		ZB5			
DIN rail		NS35/7.5 & NS35/15 ( Steel and Aluminium alloy are optional )			
End stopper		E-WS&E-PC&E-MK			

Screw connection technology 2



Mini feed-through terminal blocks

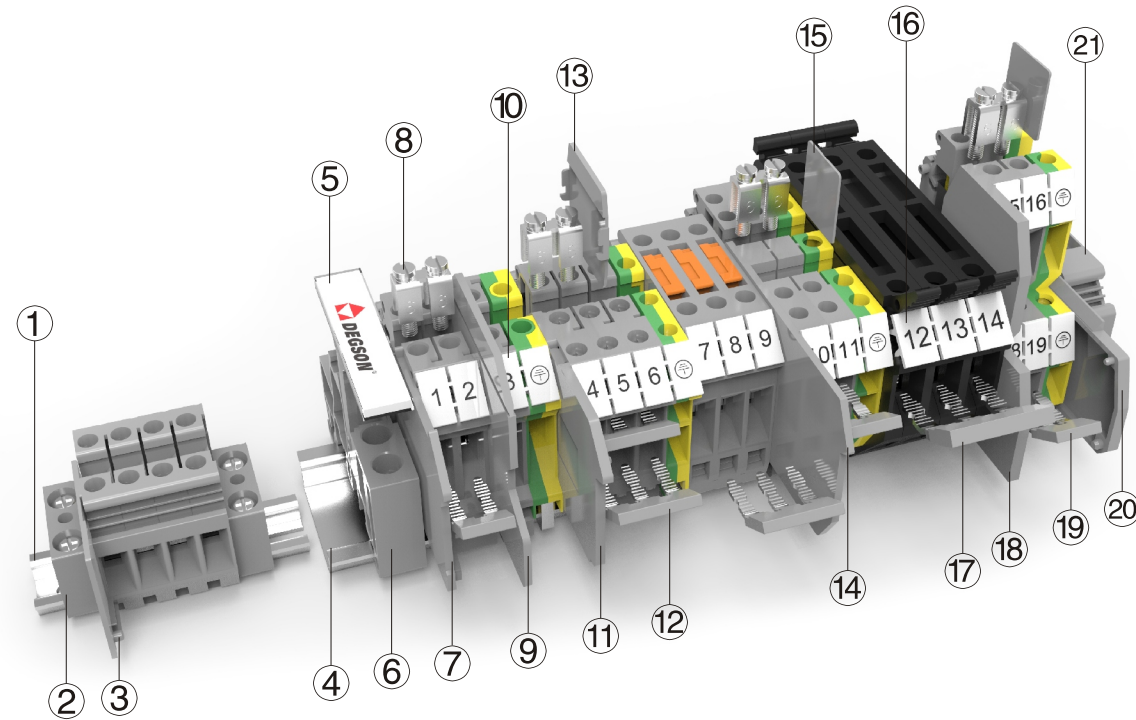


Notes: For additional accessories and operating instruction, see page 97.

PCMB 2.5

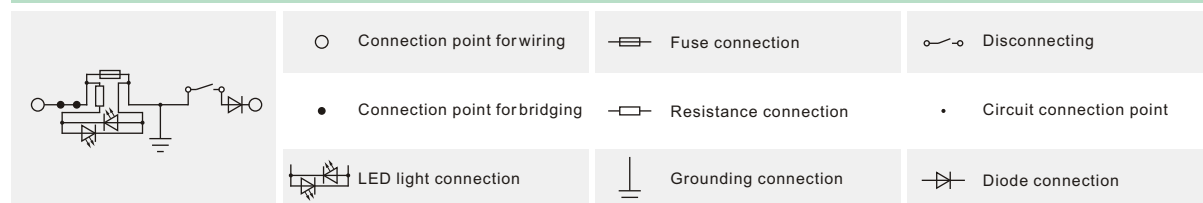
CE ENEC RoHS REACH

Dimension					
Width/Length/Height(NS15) mm		5.2/28/33.7			
Electrical Parameter		IEC IEC60947-7-1	UL UL1059		
Rated voltage	V	500	300		
Rated current	A	24	20		
Wire range	mm <sup>2</sup> /AWG	0.2-2.5	28-12		
Screw/Rated torque	-/N.m(lb.in)(kgf.cm)	M3/0.5(4.43)(5.1)			
Rated surge voltage/Degree of pollution	KV/-	6/3			
Overvoltage category/Insulation material group	-/-	III / I			
Connection capacity		Solid	Stranded	Ferrule (with and without plastic sleeve)	
1 conductor	mm <sup>2</sup>	0.2-2.5	0.2-2.5	0.2-2.5	0.2-1.5
2 conductors with same cross section, stranded, TWIN ferrules with plastic sleeve	mm <sup>2</sup>	—	—	—	0.5-0.75
General information					
Insulation material/Flammability rating(according to UL 94)		PA/V0			
Operation temperature	°C ( °F )	-40(-40)~105(221)			
Stripping length	mm	7-8			
Color		Gray ( customization demand is available )			
Slotted screwdriver size (Blade thickness x Width) mm		0.6x3.5			
Accessories					
Fixed bridge ( 10P )		FBRI10-5			
Insertion bridge ( 2-10P )		EB2-5 EB3-5 EB10-5			
End cover		D-PCMB2.5			
Separating plate		TS-KK3			
Partition plate		/			
Marker		ZB5			
DIN rail		NS15			
End stopper		E-WS&E-PC&E-MK			



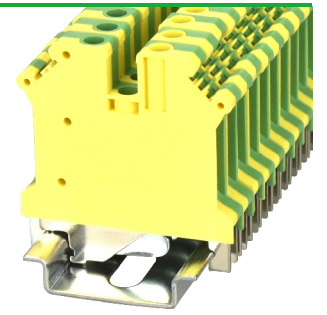
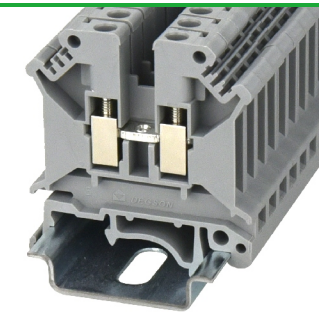
Description	Part No.	Remark
① DIN rail	NS15-0050-00A(H)	NS15 DIN rail
② End stopper	E-PC-DIN15-01P-11-1000A(H)	Fixing products on NS15 DIN rail
③ End cover	D-PCMB2.5-01P-11-00A(H)	End cover is used for PCMB4
④ DIN rail	NS35/7.5-0150-00A(H)	NS35 DIN rail
⑤ Terminal strip marker carrier	DLM2-01P-17-00A(H)	Suitable for E-PC, use for marking
⑥ End stopper	E-PC-01P-11-1000A(H)	Fixing products on NS35 DIN rail
⑦ End cover	D-PC2.5-01P-11-00A(H)	End cover is used for PC4
⑧ Fixed bridge	FBI2-6-00A(H)	02P bridge, use for PC4
⑨ Partition plate	ATP-PC-01P-11-00A(H)	End cover is used for PC4 series
⑩ Marker	ZB6-10P-19-00A(H)	]Marker is used for the side of PC4 series
⑪ End cover	D-PC4-TW-01P-11-00A(H)	End cover is used for PC4-TW
⑫ Insertion bridge	EB3-6-11-00A(H)	03P bridge, use for PC4 series
⑬ Separating plate	TS-K-01P-11-00A(H)	The separating plate is used for PC4, PCMB4
⑭ End cover	D-PCDK2.5-01P-11-00A(H)	End cover is used for PCDK4
⑮ Separating plate	TS-KK3-01P-11-00A(H)	The separating plate is used for PCDK4, PCKK4
⑯ Marker	ZB8-10P-19-00A(H)	Marker is used for the side of PC4-HE
⑰ Insertion bridge	EB3-8-11-00A(H)	03P bridge, use for PC4-HE
⑱ End cover	D-PCKK2.5-01P-11-00A(H)	End cover is used for PCKK4
⑲ Insertion bridge	EB2-6-11-00A(H)	02P bridge, use for PC4 series
⑳ Compensation plate	DP-PCKK2.5-01P-11-00A(H)	End cover is used for PCKK4 series
㉑ End stopper	E-WS-01P-11-00A(H)	Fixing products on NS35 DIN rail

Circuit diagram

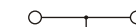


Screw connection technology 2

Feed-through, multi-conductor, multi-level, and ground terminal blocks



PC 4



PC 4-PE

Notes: For additional accessories and operating instruction, see page 105.

UL US CE ENE RoHS REACH

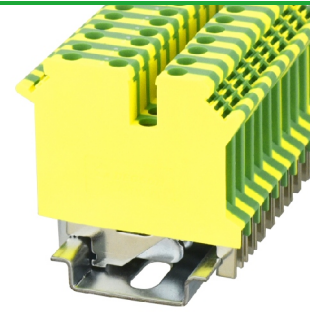
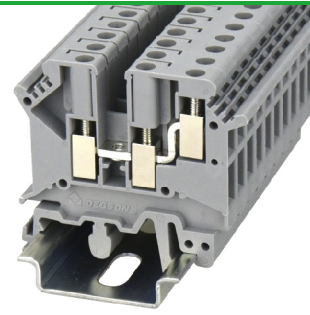
UL US CE ENE RoHS REACH

Dimension								
Width/Length/Height(NS35/7.5&NS35/15) mm	6.2/42.5/47.25(54.75)				6.2/42.5/47.25(54.75)			
Electrical Parameter	IEC IEC60947-7-1		UL UL1059		IEC IEC60947-7-2		UL UL1059	
Rated voltage V	800		600		/		/	
Rated current A	32		30		/		/	
Wire range mm <sup>2</sup> /AWG	0.2-4		24-10		0.2-4		24-10	
Screw/Rated torque -/N.m(lb.in)(kgf.cm)	M3/0.5(4.43)(5.1)				M3/0.5(4.43)(5.1)			
Rated surge voltage/Degree of pollution KV/-	8/3				8/3			
Overvoltage category/Insulation material group -/-	III / I				III / I			
Connection capacity	Solid	Stranded	Ferrule (with and without plastic sleeve)		Solid	Stranded	Ferrule (with and without plastic sleeve)	
1 conductor mm <sup>2</sup>	0.2-4	0.2-4	0.2-4	0.2-2.5	0.2-4	0.2-4	0.2-4	0.2-2.5
2 conductors with same cross section, stranded, TWIN ferrules with plastic sleeve mm <sup>2</sup>	-	-	-	0.5-1	-	-	-	0.5-1
General information								
Insulation material/Flammability rating(according to UL 94)	PA/V0				PA/V0			
Operation temperature °C ( °F )	-40(-40)~105(221)				-40(-40)~105(221)			
Stripping length mm	8-10				8-10			
Color	Gray ( customization demand is available )				Green-yellow			
Slotted screwdriver size (Blade thickness x Width) mm	0.6x3.5				0.6x3.5			
Accessories								
Fixed bridge ( 10P )					FBI10-6	/		
Insertion bridge ( 2-10P )					EB2-6 EB3-6 EB10-6	EB2-6 EB3-6 EB10-6		
End cover					D-PC2.5	/		
Separating plate					TS-K	/		
Partition plate					ATP-PC	/		
Marker					ZB6	ZB6		
DIN rail					NS35/7.5 & NS35/15 ( Steel and Aluminium alloy are optional )	NS35/7.5 & NS35/15 ( Steel and Aluminium alloy are optional )		
End stopper					E-WS&E-PC&E-MK	E-WS&E-PC&E-MK		



Screw connection technology 2

Feed-through, multi-conductor, multi-level, and ground terminal blocks

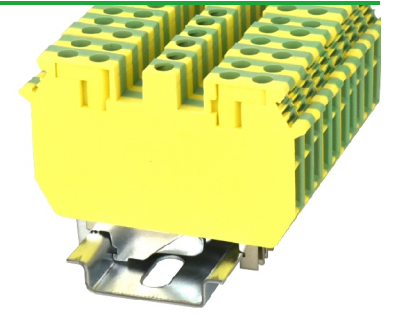
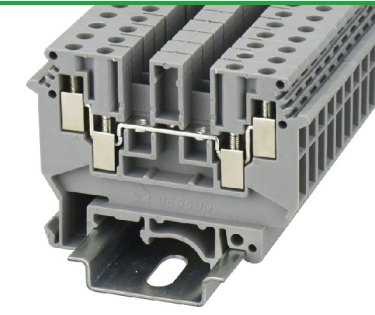

**PC 4-TW**
**PC 4-TW-PE**

Notes: For additional accessories and operating instruction, see page 105.

Dimension		IEC IEC60947-7-1				UL UL1059			
Width/Length/Height(NS35/7.5&NS35/15) mm		6.2/50.5/47.25(54.75)				6.2/50.5/47.25(54.75)			
Electrical Parameter		IEC IEC60947-7-1				UL UL1059			
Rated voltage	V	500				300			
Rated current	A	32				20			
Wire range	mm <sup>2</sup> /AWG	0.2-4				30-10			
Screw/Rated torque	-/N.m(lb.in)(kgf.cm)	M3/0.5(4.43)(5.1)				M3/0.5(4.43)(5.1)			
Rated surge voltage/Degree of pollution	KV/-	6/3				6/3			
Overvoltage category/Insulation material group	-/-	III / I				III / I			
Connection capacity		Solid	Stranded	Ferrule (with and without plastic sleeve)		Solid	Stranded	Ferrule (with and without plastic sleeve)	
1 conductor	mm <sup>2</sup>	0.2-4	0.2-4	0.2-4	0.2-2.5	0.2-4	0.2-4	0.2-4	0.2-2.5
2 conductors with same cross section, stranded, TWIN ferrules with plastic sleeve	mm <sup>2</sup>	—	—	—	0.5-1	—	—	—	0.5-1
General information		PA/V0				PA/V0			
Insulation material/Flammability rating(according to UL 94)		PA/V0				PA/V0			
Operation temperature	°C ( °F )	-40(-40)~105(221)				-40(-40)~105(221)			
Stripping length	mm	8-10				8-10			
Color		Gray ( customization demand is available )				Green-yellow			
Slotted screwdriver size (Blade thickness x Width) mm		0.6x3.5				0.6x3.5			
Accessories		FBI10-6				/			
Fixed bridge ( 10P )		FBI10-6				/			
Insertion bridge ( 2-10P )		EB2-6 EB3-6 EB10-6				EB2-6 EB3-6 EB10-6			
End cover		D-PC4-TW				/			
Separating plate		TS-K				/			
Partition plate		/				/			
Marker		ZB6				ZB6			
DIN rail		NS35/7.5 & NS35/15 ( Steel and Aluminium alloy are optional )				NS35/7.5 & NS35/15 ( Steel and Aluminium alloy are optional )			
End stopper		E-WS&E-PC&E-MK				E-WS&E-PC&E-MK			

Screw connection technology 2

Feed-through, multi-conductor, multi-level, and ground terminal blocks

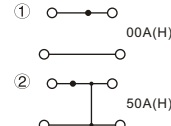
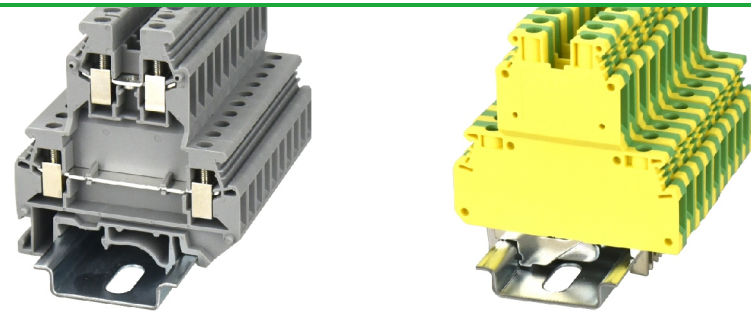

**PCDK 4**
**PCDK 4-PE**

Notes: For additional accessories and operating instruction, see page 105.

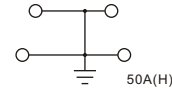
Dimension		IEC IEC60947-7-1				UL UL1059			
Width/Length/Height(NS35/7.5&NS35/15) mm		6.2/63.5/47.25(54.75)				6.2/63.5/47.25(54.75)			
Electrical Parameter		IEC IEC60947-7-1				UL UL1059			
Rated voltage	V	630				300			
Rated current	A	32				30			
Wire range	mm <sup>2</sup> /AWG	0.2-4				24-10			
Screw/Rated torque	-/N.m(lb.in)(kgf.cm)	M3/0.5(4.43)(5.1)				M3/0.5(4.43)(5.1)			
Rated surge voltage/Degree of pollution	KV/-	6/3				6/3			
Overvoltage category/Insulation material group	-/-	III / I				III / I			
Connection capacity		Solid	Stranded	Ferrule (with and without plastic sleeve)		Solid	Stranded	Ferrule (with and without plastic sleeve)	
1 conductor	mm <sup>2</sup>	0.2-4	0.2-4	0.2-4	0.2-2.5	0.2-4	0.2-4	0.2-4	0.2-2.5
2 conductors with same cross section, stranded, TWIN ferrules with plastic sleeve	mm <sup>2</sup>	—	—	—	0.5-1	—	—	—	0.5-1
General information		PA/V0				PA/V0			
Insulation material/Flammability rating(according to UL 94)		PA/V0				PA/V0			
Operation temperature	°C ( °F )	-40(-40)~105(221)				-40(-40)~105(221)			
Stripping length	mm	7-8				7-8			
Color		Gray ( customization demand is available )				Green-yellow			
Slotted screwdriver size (Blade thickness x Width) mm		0.6x3.5				0.6x3.5			
Accessories		FBI10-6				/			
Fixed bridge ( 10P )		FBI10-6				/			
Insertion bridge ( 2-10P )		EB2-6 EB3-6 EB10-6				EB2-6 EB3-6 EB10-6			
End cover		D-PCDK2.5				/			
Separating plate		TS-KK3				/			
Partition plate		/				/			
Marker		ZB5&WB5				ZB5&WB5			
DIN rail		NS35/7.5 & NS35/15 ( Steel and Aluminium alloy are optional )				NS35/7.5 & NS35/15 ( Steel and Aluminium alloy are optional )			
End stopper		E-WS&E-PC&E-MK				E-WS&E-PC&E-MK			

Screw connection technology 2

Feed-through, multi-conductor, multi-level, and ground terminal blocks



**PCKK 4**



**PCKK 4-PE**

Notes: For additional accessories and operating instruction, see page 105.

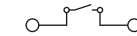
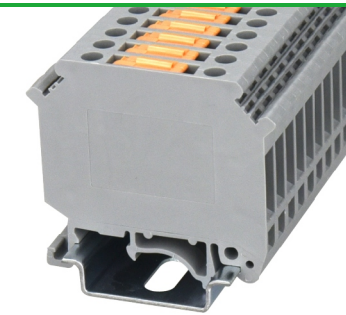
UL US CE ENEC RoHS REACH

CE ENEC RoHS REACH

Dimension									
Width/Length/Height(NS35/7.5&NS35/15) mm		6.2/56/61.95(69.45)				6.2/56/61.95(69.45)			
Electrical Parameter		IEC IEC60947-7-1		UL UL1059		IEC IEC60947-7-2		UL UL1059	
Rated voltage	V	500		300		/		/	
Rated current	A	32		20		/		/	
Wire range	mm <sup>2</sup> /AWG	0.2-4		30-12		0.2-4		24-10	
Screw/Rated torque	-/N.m(lb.in)(kgf.cm)	M3/0.5(4.43)(5.1)				M3/0.5(4.43)(5.1)			
Rated surge voltage/Degree of pollution	KV/-	6/3				6/3			
Overvoltage category/Insulation material group	-/-	III / I				III / I			
Connection capacity		Solid		Stranded		Ferrule (with and without plastic sleeve)			
1 conductor	mm <sup>2</sup>	0.2-4	0.2-4	0.2-4	0.2-2.5	0.2-4	0.2-4	0.2-4	0.2-2.5
2 conductors with same cross section, stranded, TWIN ferrules with plastic sleeve	mm <sup>2</sup>	—	—	—	0.5-1	—	—	—	0.5-1
General information									
Insulation material/Flammability rating(according to UL 94)		PA/V0				PA/V0			
Operation temperature °C ( °F )		-40(-40)~105(221)				-40(-40)~105(221)			
Stripping length mm		7-8				7-8			
Color		Gray ( customization demand is available )				Green-yellow			
Slotted screwdriver size (Blade thickness x Width) mm		0.6x3.5				0.6x3.5			
Accessories									
Fixed bridge ( 10P )		FBI10-6				/			
Insertion bridge ( 2-10P )		EB2-6 EB3-6 EB10-6				EB2-6 EB3-6 EB10-6			
End cover		D-PCKK2.5				/			
Separating plate		TS-KK3				/			
Partition plate		/				/			
Compensation plate		DP-PCKK2.5				DP-PCKK2.5			
Marker		ZB5&WB5				ZB5&WB5			
DIN rail		NS35/7.5 & NS35/15 ( Steel and Aluminium alloy are optional )				NS35/7.5 & NS35/15 ( Steel and Aluminium alloy are optional )			
End stopper		E-WS&E-PC&E-MK				E-WS&E-PC&E-MK			

Screw connection technology 2

Knife disconnect terminal blocks



**PCMT 4**

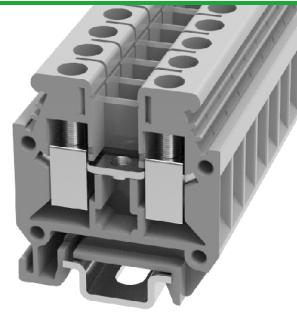
Notes: For additional accessories and operating instruction, see page 105.

CE ENEC RoHS REACH

Dimension							
Width/Length/Height(NS35/7.5&NS35/15) mm		5.2/46/48.18(55.68)					
Electrical Parameter		IEC IEC60947-7-1		UL UL1059			
Rated voltage	V	800		600			
Rated current	A	16		16			
Wire range	mm <sup>2</sup> /AWG	0.2-4		24-12			
Screw/Rated torque	-/N.m(lb.in)(kgf.cm)	M3/0.5(4.43)(5.1)					
Rated surge voltage/Degree of pollution	KV/-	6/3					
Overvoltage category/Insulation material group	-/-	III / I					
Connection capacity		Solid		Stranded		Ferrule (with and without plastic sleeve)	
1 conductor	mm <sup>2</sup>	0.2-4	0.2-4	0.2-4	0.2-2.5		
2 conductors with same cross section, stranded, TWIN ferrules with plastic sleeve	mm <sup>2</sup>	—	—	—	0.5-1		
General information							
Insulation material/Flammability rating(according to UL 94)		PA/V0					
Operation temperature °C ( °F )		-40(-40)~105(221)					
Stripping length mm		7-8					
Color		Gray ( customization demand is available )					
Slotted screwdriver size (Blade thickness x Width) mm		0.6x3.5					
Accessories							
Fixed bridge ( 10P )		/					
Insertion bridge ( 2-10P )		EB2-6 EB3-6 EB10-6 & EBA40-6					
End cover		/					
Separating plate		/					
Partition plate		/					
Marker		ZB6					
DIN rail		NS35/7.5 & NS35/15 ( Steel and Aluminium alloy are optional )					
End stopper		E-WS&E-PC&E-MK					

Screw connection technology 2

Mini feed-through terminal blocks



PCMB 4

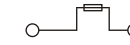
Notes: For additional accessories and operating instruction, see page 105.

UL US CE ENEC RoHS REACH

Dimension					
Width/Length/Height(NS15)	mm	6.2/28/33.7			
Electrical Parameter		IEC IEC60947-7-1	UL UL1059		
Rated voltage	V	500	300		
Rated current	A	32	30		
Wire range	mm <sup>2</sup> /AWG	0.2-4	26-10		
Screw/Rated torque	-/N.m(lb.in)(kgf.cm)	M3/0.5(4.43)(5.1)			
Rated surge voltage/Degree of pollution	KV/-	6/3			
Overvoltage category/Insulation material group	-/-	III / I			
Connection capacity		Solid	Stranded	Ferrule (with and without plastic sleeve)	
1 conductor	mm <sup>2</sup>	0.2-4	0.2-4	0.2-4	0.2-2.5
2 conductors with same cross section, stranded, TWIN ferrules with plastic sleeve	mm <sup>2</sup>	—	—	—	0.5-1
General information					
Insulation material/Flammability rating(according to UL 94)		PA/V0			
Operation temperature	°C ( °F )	-40(-40)~105(221)			
Stripping length	mm	7-8			
Color		Gray ( customization demand is available )			
Slotted screwdriver size (Blade thickness x Width) mm		0.6x3.5			
Accessories					
Fixed bridge ( 10P )		FBI10-6			
Insertion bridge ( 2-10P )		EB2-6 EB3-6 EB10-6			
End cover		D-PCMB2.5			
Separating plate		TS-KK3			
Partition plate		/			
Marker		ZB5&WB5			
DIN rail		NS15			
End stopper		E-WS&E-PC&E-MK			

Screw connection technology 2

Fuse terminal blocks  
(5X20、5X25、6.3X32)



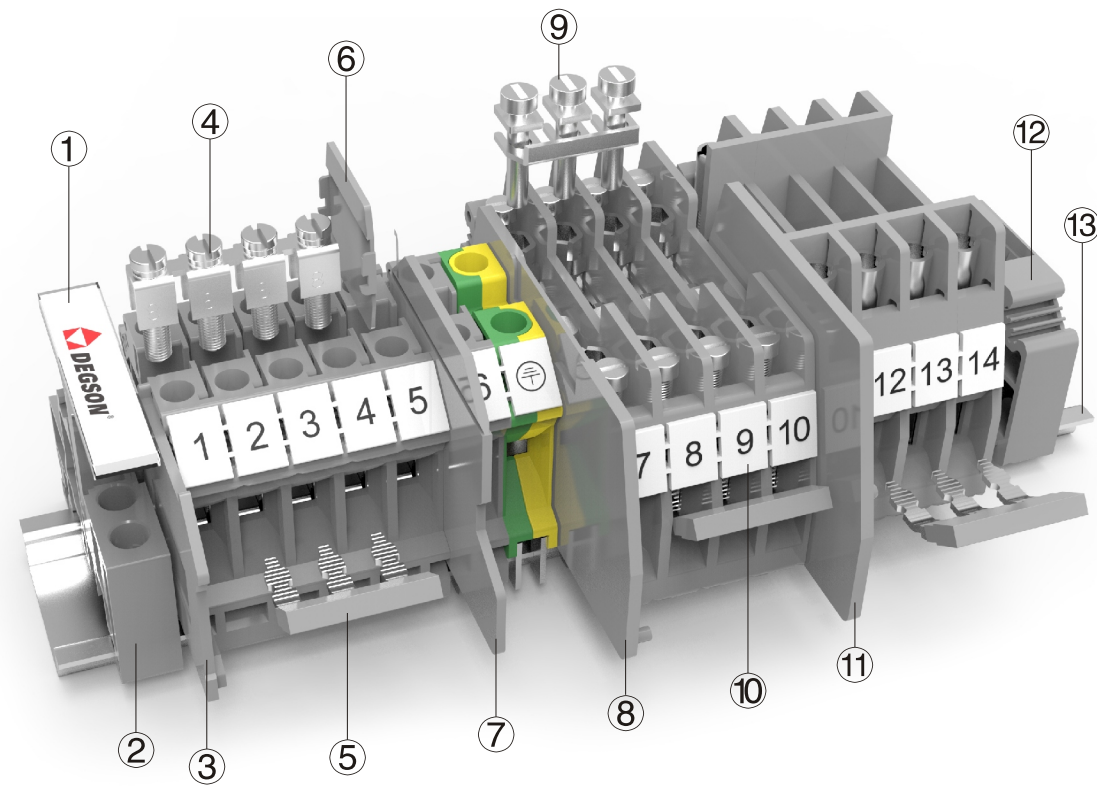
PC 4-HE

Notes: For additional accessories and operating instruction, see page 105.

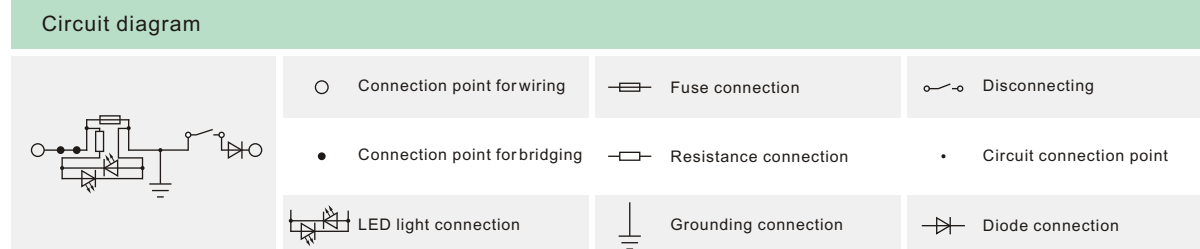
UL US CE ENEC RoHS REACH

Dimension					
Width/Length/Height(NS35/7.5&NS35/15)	mm	8.2/72.5/57.37(64.87)			
Electrical Parameter		IEC IEC60947-7-3	UL UL1059		
Rated voltage	V	800	600		
Rated current	A	6.3	6.3		
Wire range	mm <sup>2</sup> /AWG	0.2-4	24-12		
Screw/Rated torque	-/N.m(lb.in)(kgf.cm)	M3/0.5(4.43)(5.1)			
Rated surge voltage/Degree of pollution	KV/-	6/3			
Overvoltage category/Insulation material group	-/-	III / I			
Connection capacity		Solid	Stranded	Ferrule (with and without plastic sleeve)	
1 conductor	mm <sup>2</sup>	0.2-4	0.2-4	0.2-4	0.2-2.5
2 conductors with same cross section, stranded, TWIN ferrules with plastic sleeve	mm <sup>2</sup>	—	—	—	0.5-1
General information					
Insulation material/Flammability rating(according to UL 94)		PA/V0			
Operation temperature	°C ( °F )	-40(-40)~105(221)			
Stripping length	mm	8-9			
Color		Black ( customization demand is available )			
Slotted screwdriver size (Blade thickness x Width) mm		0.6x3.5			
Accessories					
Fixed bridge ( 10P )		/			
Insertion bridge ( 2-10P )		/			
End cover		/			
Separating plate		/			
Partition plate		/			
Marker		ZB8			
DIN rail		NS35/7.5 & NS35/15 ( Steel and Aluminium alloy are optional )			
End stopper		E-WS&E-PC&E-MK			



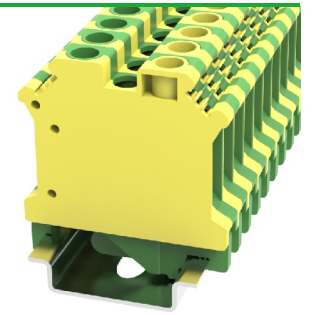
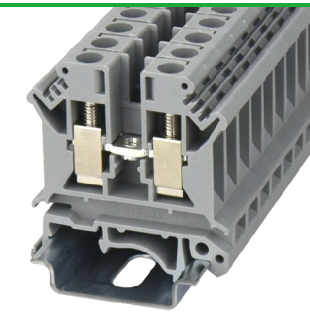


Description	Part No.	Remark
① Terminal strip marker carrier	DLM2-01P-17-00A(H)	Suitable for E-PC, use for marking
② End stopper	E-PC-01P-11-1000A(H)	Fixing products on NS35 DIN rail
③ End cover	D-PC2.5-01P-11-00A(H)	End cover is used for PC6
④ Fixed bridge	FB14-8-00A(H)	04P bridge, use for PC6
⑤ Insertion bridge	EB3-8-11-00A(H)	03P bridge, use for PC6
⑥ Partition plate	ATP-PC-01P-11-00A(H)	End cover is used for PC6 series
⑦ Separating plate	TS-K-01P-11-00A(H)	The separating plate is used for PC6
⑧ End cover	D-PCTK6-01P-11-00A(H)	End cover is used for PCTK6
⑨ Fixed bridge	FB3-RTK/S-00A(H)	03P bridge, use for PCTK6
⑩ Marker	ZB8-10P-19-00A(H)	Marker is used for the side of PC6 series
⑪ End cover	D-PCTK6-BEN-01P-11-00A(H)	End cover is used for PCTK6-BEN
⑫ End stopper	E-WS-01P-11-00A(H)	Fixing products on NS35 DIN rail
⑬ DIN rail	NS35/7.5-0150-00A(H)	NS35 DIN rail

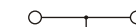


Screw connection technology 2

Feed-through and ground terminal blocks



PC 6



PC 6-PE

Notes: For additional accessories and operating instruction, see page 113.

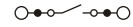
UL US CE ENE RoHS REACH

UL US CE ENE RoHS REACH

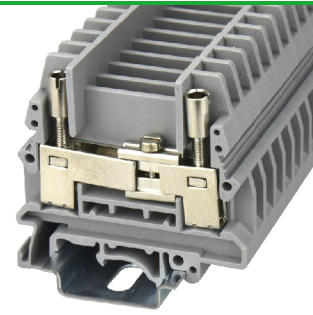
Dimension	8.2/42.5/47.25(54.75)				8.2/42.5/47.25(54.75)			
Width/Length/Height(NS35/7.5&NS35/15) mm	8.2/42.5/47.25(54.75)				8.2/42.5/47.25(54.75)			
Electrical Parameter	IEC IEC60947-7-1		UL UL1059		IEC IEC60947-7-2		UL UL1059	
Rated voltage V	800		600		/		/	
Rated current A	41		30		/		/	
Wire range mm <sup>2</sup> /AWG	0.2-6		24-8		0.2-6		24-8	
Screw/Rated torque -/N.m(lb.in)(kgf.cm)	M4/1.2(10.5)(12.24)				M4/1.2(10.5)(12.24)			
Rated surge voltage/Degree of pollution KV/-	8/3				8/3			
Overvoltage category/Insulation material group -/-	III / I				III / I			
Connection capacity	Solid	Stranded	Ferrule (with and without plastic sleeve)		Solid	Stranded	Ferrule (with and without plastic sleeve)	
1 conductor mm <sup>2</sup>	0.2-6	0.2-6	0.2-6	0.2-6	0.2-6	0.2-6	0.2-6	0.2-6
2 conductors with same cross section, stranded, TWIN ferrules with plastic sleeve mm <sup>2</sup>	-	-	-	0.5-2.5	-	-	-	0.5-2.5
General information	PA/V0				PA/V0			
Insulation material/Flammability rating(according to UL 94)	PA/V0				PA/V0			
Operation temperature °C ( °F )	-40(-40)~105(221)				-40(-40)~105(221)			
Stripping length mm	10-12				8-9			
Color	Gray ( customization demand is available )				Green-yellow			
Slotted screwdriver size (Blade thickness x Width) mm	1x4				1x4			
Accessories								
Fixed bridge ( 10P )					FBI10-8 /			
Insertion bridge ( 2-10P )					EB2-8 EB3-8 EB10-8			
End cover					D-PC2.5 /			
Separating plate					TS-K /			
Partition plate					ATP-PC /			
Marker					ZB8 ZB8			
DIN rail					NS35/7.5 & NS35/15 ( Steel and Aluminium alloy are optional ) NS35/7.5 & NS35/15 ( Steel and Aluminium alloy are optional )			
End stopper					E-WS&E-PC&E-MK E-WS&E-PC&E-MK			

Screw connection technology 2

Test disconnect terminal blocks



PCTK 6



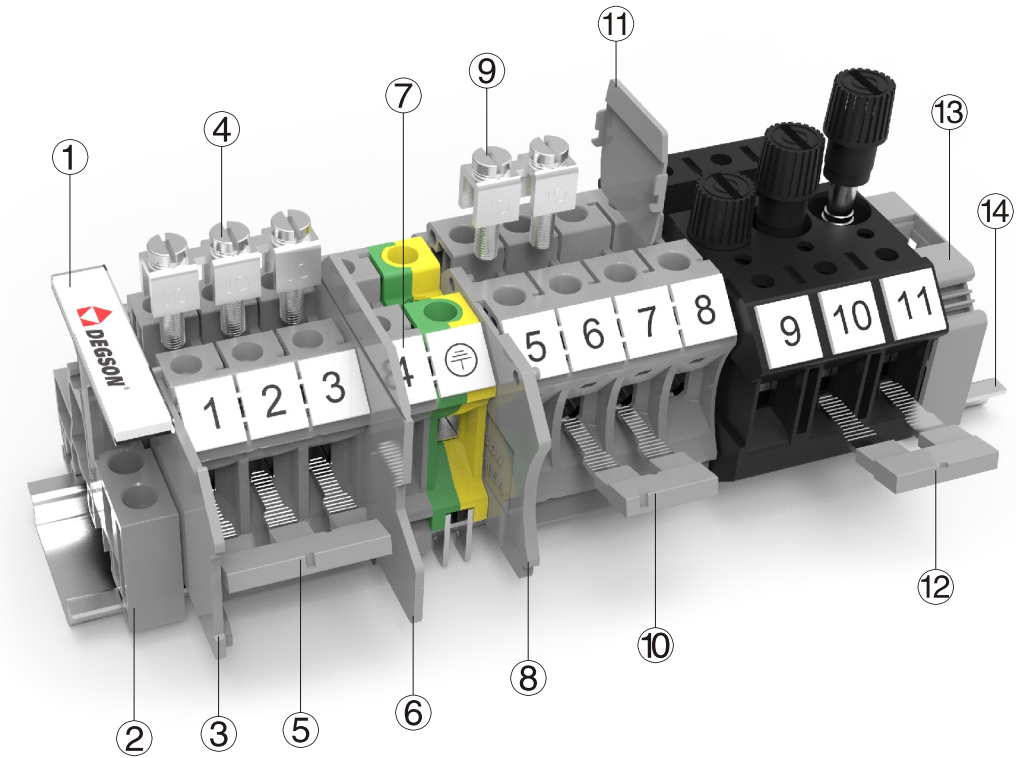
PCTK 6-BEN

Notes: For additional accessories and operating instruction, see page 113.

CE ENEC RoHS REACH

CE ENEC RoHS REACH

Dimension		CE ENEC RoHS REACH				CE ENEC RoHS REACH			
Width/Length/Height(NS35/7.5&NS35/15) mm		8.2/72/51.75(59.25)				8.2/61/58.85(67.35)			
Electrical Parameter		IEC IEC60947-7-1		UL UL1059		IEC IEC60947-7-1		UL UL1059	
Rated voltage	V	400		300		500		300	
Rated current	A	41		40		41		40	
Wire range	mm <sup>2</sup> /AWG	0.5-6		26-10		0.5-6		26-10	
Screw/Rated torque	-/N.m(lb.in)(kgf.cm)	M4/1.2(10.53)(12.24)				M4/1.2(10.53)(12.24)			
Rated surge voltage/Degree of pollution	KV/-	6/3				6/3			
Overvoltage category/Insulation material group	-/-	III / I				III / I			
Connection capacity		Solid		Stranded		Solid		Stranded	
1 conductor mm <sup>2</sup>		0.5-6	0.5-6	0.5-6	0.5-6	0.5-6	0.5-6	0.5-6	0.5-6
2 conductors with same cross section, stranded, TWIN ferrules with plastic sleeve mm <sup>2</sup>		-	-	-	0.5-2.5	-	-	-	0.5-2.5
General information		CE ENEC RoHS REACH				CE ENEC RoHS REACH			
Insulation material/Flammability rating(according to UL 94)		PA/V0				PA/V0			
Operation temperature °C ( °F )		-40(-40)~105(221)				-40(-40)~105(221)			
Stripping length mm		13-14				12-13			
Color		Gray ( customization demand is available )				Gray ( customization demand is available )			
Slotted screwdriver size (Blade thickness x Width) mm		1x4				1x4			
Accessories		CE ENEC RoHS REACH				CE ENEC RoHS REACH			
Fixed bridge ( 10P )		FB10-RTK/S & SB02-RTK/S SB04-RTK/S				/			
Insertion bridge ( 2-10P )		/				/			
End cover		D-PCTK6				D-PCTK6-BEN			
Separating plate		/				/			
Partition plate		/				/			
Marker		ZB8				ZB8			
DIN rail		NS35/7.5 & NS35/15 ( Steel and Aluminium alloy are optional )				NS35/7.5 & NS35/15 ( Steel and Aluminium alloy are optional )			
End stopper		E-WS&E-PC&E-MK				E-WS&E-PC&E-MK			



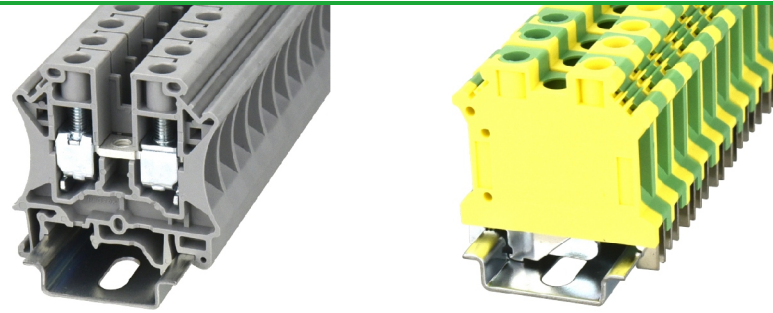
Description	Part No.	Remark
① Terminal strip marker carrier	DLM2-01P-17-00A(H)	Suitable for E-PC, use for marking
② End stopper	E-PC-01P-11-1000A(H)	Fixing products on NS35 DIN rail
③ End cover	D-PC2.5-01P-11-00A(H)	End cover is used for PC10
④ Fixed bridge	FBI3-10-00A(H)	03P bridge, use for PC10
⑤ Insertion bridge	EB3-10-11-00A(H)	03P bridge, use for PC10
⑥ Partition plate	ATP-PC-01P-11-00A(H)	End cover is used for PC10
⑦ Marker	ZB10-10P-19-00A(H)	Marker is used for the side of Pc10 series
⑧ End cover	D-PC10-01P-11-105A(H)	End cover is used for PC10-105A(H)
⑨ Fixed bridge	FBI2-10-00A(H)	02P bridge, use for PC10-105A(H)
⑩ Insertion bridge	EB2-10-11-00A(H)	02P bridge, use for PC10-105A(H)
⑪ Separating plate	TS-K-01P-11-00A(H)	The separating plate is used for PC10 series
⑫ Insertion bridge	EB2-12-11-00A(H)	02P bridge, use for PC10-DR
⑬ End stopper	E-WS-01P-11-00A(H)	Fixing products on NS35 DIN rail
⑭ DIN rail	NS35/7.5-0150-00A(H)	NS35 DIN rail

Circuit diagram

	Connection point for wiring		Fuse connection		Disconnecting
	Connection point for bridging		Resistance connection		Circuit connection point
	LED light connection		Grounding connection		Diode connection

Screw connection technology 2

Feed-through and ground terminal blocks


**PC 10**

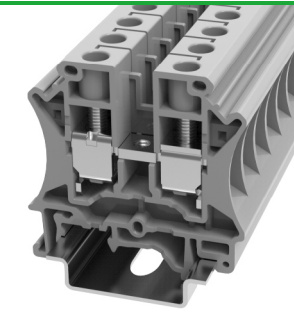
**PC 10-PE**

Notes: For additional accessories and operating instruction, see page 116.

Dimension									
Width/Length/Height(NS35/7.5&NS35/15) mm		10.2/42.5/47.25(54.75)				10.2/42.5/47.25(54.75)			
Electrical Parameter		IEC IEC60947-7-1		UL UL1059		IEC IEC60947-7-2		UL UL1059	
Rated voltage	V	800		600		/		/	
Rated current	A	57		30		/		/	
Wire range	mm <sup>2</sup> /AWG	0.2-10		20-6		0.2-10		20-6	
Screw/Rated torque	-/N.m(lb.in)(kgf.cm)	M4/1.2(10.5)(12.24)				M4/1.2(10.5)(12.24)			
Rated surge voltage/Degree of pollution	KV/-	8/3				8/3			
Overvoltage category/Insulation material group	-/-	III / I				III / I			
Connection capacity		Solid	Stranded	Ferrule (with and without plastic sleeve)		Solid	Stranded	Ferrule (with and without plastic sleeve)	
1 conductor	mm <sup>2</sup>	0.2-10	0.2-10	0.2-10	0.2-10	0.2-10	0.2-10	0.2-10	0.2-10
2 conductors with same cross section, stranded, TWIN ferrules with plastic sleeve	mm <sup>2</sup>	—	—	—	0.5-4	—	—	—	0.5-4
General information									
Insulation material/Flammability rating(according to UL 94)		PA/V0				PA/V0			
Operation temperature		°C ( °F )				-40(-40)~105(221)			
Stripping length		mm				10-12			
Color		Gray ( customization demand is available )				Green-yellow			
Slotted screwdriver size (Blade thickness x Width) mm		1x4				1x4			
Accessories									
Fixed bridge ( 10P )		FBI10-10				/			
Insertion bridge ( 2-10P )		EB2-10 EB3-10 EB10-10				EB2-10 EB3-10 EB10-10			
End cover		D-PC2.5				/			
Separating plate		TS-K				/			
Partition plate		ATP-PC				/			
Marker		ZB10				ZB10			
DIN rail		NS35/7.5 & NS35/15 ( Steel and Aluminium alloy are optional )				NS35/7.5 & NS35/15 ( Steel and Aluminium alloy are optional )			
End stopper		E-WS&E-PC&E-MK				E-WS&E-PC&E-MK			

Screw connection technology 2

Feed-through and ground terminal blocks


**PC 10-105A(H)**

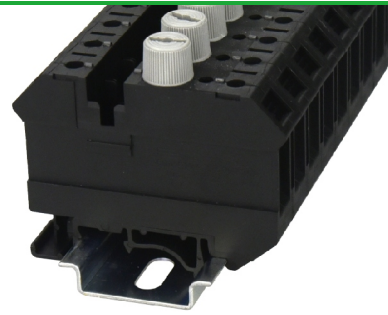
Notes: For additional accessories and operating instruction, see page 116.

Dimension					
Width/Length/Height(NS35/7.5&NS35/15) mm		10.2/48/48.5(56)			
Electrical Parameter		IEC IEC60947-7-1		UL UL1059	
Rated voltage	V	1000		600	
Rated current	A	57		65	
Wire range	mm <sup>2</sup> /AWG	0.5-10		20-6	
Screw/Rated torque	-/N.m(lb.in)(kgf.cm)	M4/1.2(10.5)(12.24)			
Rated surge voltage/Degree of pollution	KV/-	8/3			
Overvoltage category/Insulation material group	-/-	III / I			
Connection capacity		Solid	Stranded	Ferrule (with and without plastic sleeve)	
1 conductor	mm <sup>2</sup>	0.5-10	0.5-10	0.5-10	0.5-10
2 conductors with same cross section, stranded, TWIN ferrules with plastic sleeve	mm <sup>2</sup>	—	—	—	0.5-4
General information					
Insulation material/Flammability rating(according to UL 94)		PA/V0			
Operation temperature		°C ( °F )			
Stripping length		mm			
Color		Gray ( customization demand is available )			
Slotted screwdriver size (Blade thickness x Width) mm		1x4			
Accessories					
Fixed bridge ( 10P )		FBI10-10			
Insertion bridge ( 2-10P )		EB2-10 EB3-10 EB10-10			
End cover		D-PC10-105A(H)			
Separating plate		TS-K			
Partition plate		/			
Marker		ZB10			
DIN rail		NS35/7.5 & NS35/15 ( Steel and Aluminium alloy are optional )			
End stopper		E-WS&E-PC&E-MK			



Screw connection technology 2

Fuse terminal blocks(5X20)

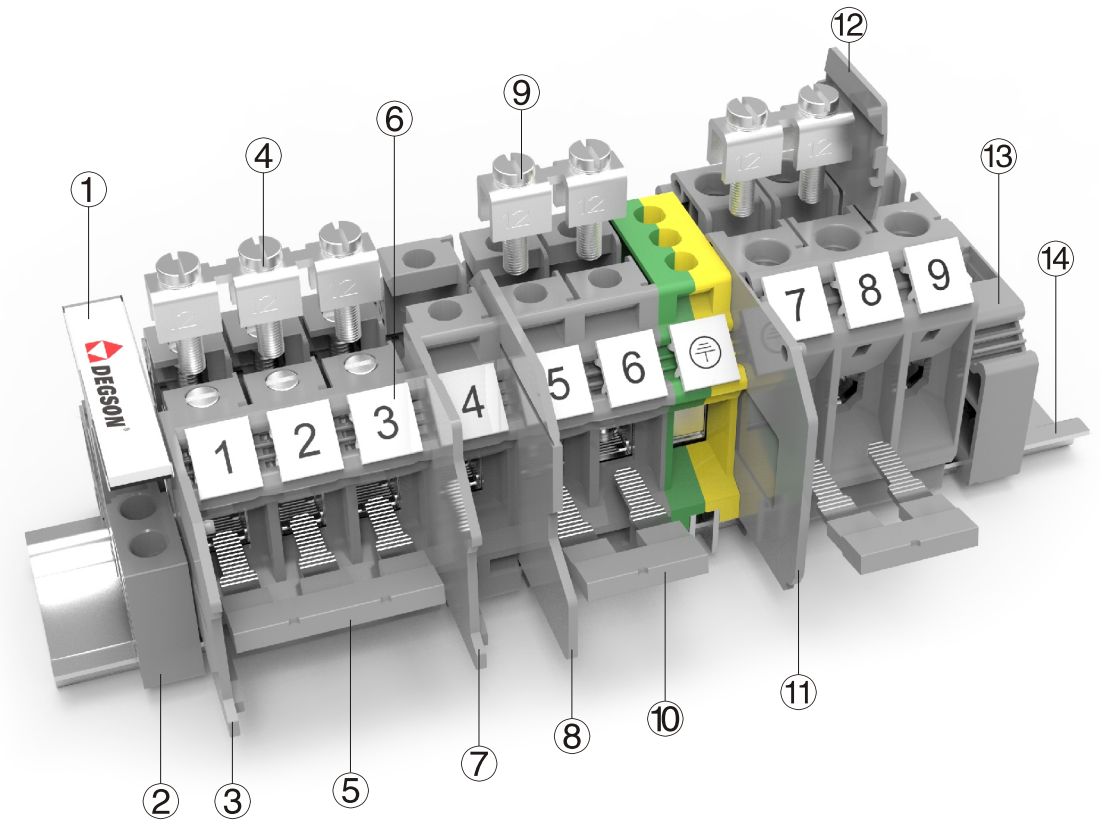


PC 10-DR

Notes: For additional accessories and operating instruction, see page 116.

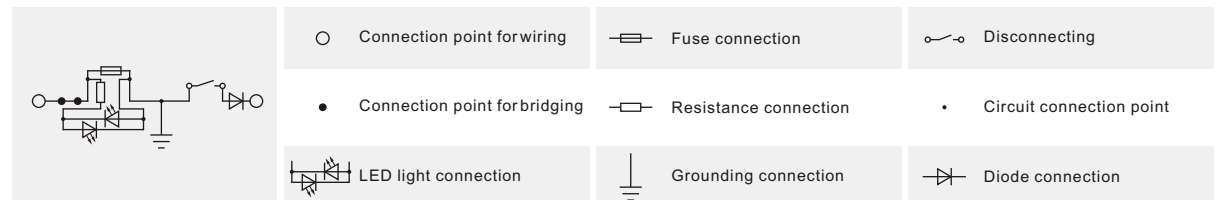
UL CE ENEC RoHS REACH

Dimension					
Width/Length/Height(NS35/7.5&NS35/15) mm		12/62/57.25(64.75)			
Electrical Parameter		IEC	UL		
		IEC60947-7-3	UL1059		
Rated voltage	V	800	600		
Rated current	A	10	10		
Wire range	mm <sup>2</sup> /AWG	0.5-10	20-6		
Screw/Rated torque	-/N.m(lb.in)(kgf.cm)	M4/1.2(10.5)(12.24)			
Rated surge voltage/Degree of pollution	KV/-	4/3			
Overvoltage category/Insulation material group	-/-	III / I			
Connection capacity		Solid	Stranded	Ferrule (with and without plastic sleeve)	
1 conductor	mm <sup>2</sup>	0.5-10	0.5-10	0.5-10	0.5-10
2 conductors with same cross section, stranded, TWIN ferrules with plastic sleeve	mm <sup>2</sup>	—	—	—	0.5-4
General information					
Insulation material/Flammability rating(according to UL 94)		PA/V0			
Operation temperature	°C ( °F )	-40(-40)~105(221)			
Stripping length	mm	10-11			
Color		Black ( customization demand is available )			
Slotted screwdriver size (Blade thickness x Width) mm		1x4			
Accessories					
Fixed bridge ( 10P )		FBI10-10			
Insertion bridge ( 2-10P )		EB10-12			
End cover		/			
Separating plate		/			
Partition plate		/			
Marker		ZB10			
DIN rail		NS35/7.5 & NS35/15 ( Steel and Aluminium alloy are optional )			
End stopper		E-WS&E-PC&E-MK			



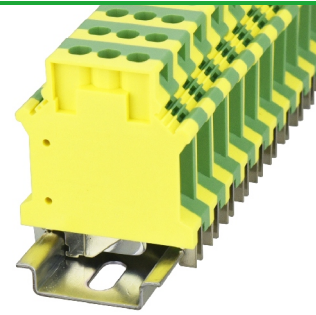
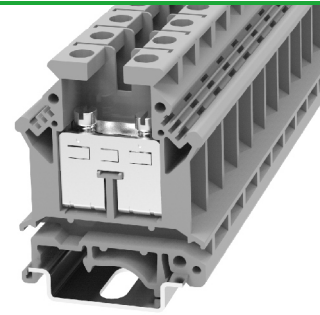
Description	Part No.	Remark
① Terminal strip marker carrier	DLM2-01P-17-00A(H)	Suitable for E-PC, use for marking
② End stopper	E-PC-01P-11-1000A(H)	Fixing products on NS35 DIN rail
③ End cover	D-PCIK16-01P-11-00A(H)	End cover is used for PCIK16
④ Fixed bridge	FBI3-12-00A(H)	03P bridge, use for PCIK16
⑤ Insertion bridge	EB3-12-11-00A(H)	03P bridge, use for PCIK16
⑥ Marker	ZB10-10P-19-00A(H)	Marker is used for the side of PCIK16
⑦ End cover	D-PC16-01P-11-00A(H)	End cover is used for PC16
⑧ Partition plate	ATP-PC-01P-11-00A(H)	End cover is used for PC16
⑨ Fixed bridge	FBI2-12-00A(H)	02P bridge, use for PC16
⑩ Insertion bridge	EB2-12-11-00A(H)	02P bridge, use for PC16
⑪ End cover	D-PC16-01P-11-105A(H)	End cover is used for PC16-105A(H)
⑫ Separating plate	TS-K-01P-11-00A(H)	The separating plate is used for PC16 series
⑬ End stopper	E-WS-01P-11-00A(H)	Fixing products on NS35 DIN rail
⑭ DIN rail	NS35/7.5-0150-00A(H)	NS35 DIN rail

Circuit diagram



Screw connection technology 2

Feed-through and ground terminal blocks

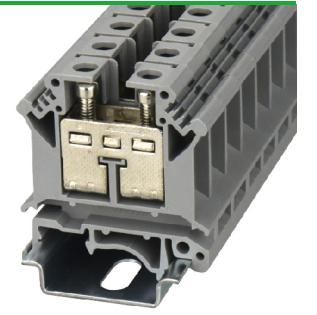
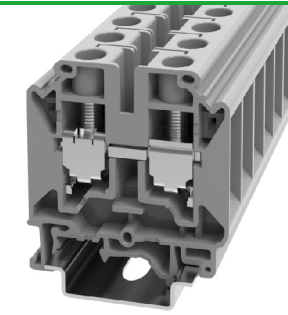

**PC 16**
**PC 16-PE**

Notes: For additional accessories and operating instruction, see page 120.

Dimension	IEC60947-7-1				UL1059			
Width/Length/Height(NS35/7.5&NS35/15) mm	12.2/42.5/54.05(61.55)				12.2/42.5/54.05(61.55)			
Electrical Parameter	IEC60947-7-1		UL1059		IEC60947-7-2		UL1059	
Rated voltage V	800		600		/		/	
Rated current A	76		85		/		/	
Wire range mm <sup>2</sup> /AWG	0.2-16		12-4		0.2-16		12-4	
Screw/Rated torque -/N.m(lb.in)(kgf.cm)	M4/1.2(10.5)(12.24)				M4/1.2(10.5)(12.24)			
Rated surge voltage/Degree of pollution KV/-	8/3				8/3			
Overvoltage category/Insulation material group -/-	III / I				III / I			
Connection capacity	Solid	Stranded	Ferrule (with and without plastic sleeve)		Solid	Stranded	Ferrule (with and without plastic sleeve)	
1 conductor mm <sup>2</sup>	0.2-16	0.2-16	0.2-16	0.2-16	0.2-16	0.2-16	0.2-16	0.2-16
2 conductors with same cross section, stranded, TWIN ferrules with plastic sleeve mm <sup>2</sup>	—	—	—	0.5-6	—	—	—	0.5-6
General information	PA/V0				PA/V0			
Insulation material/Flammability rating(according to UL 94)	PA/V0				PA/V0			
Operation temperature °C ( °F )	-40(-40)~105(221)				-40(-40)~105(221)			
Stripping length mm	12-13				10-11			
Color	Gray ( customization demand is available )				Green-yellow			
Slotted screwdriver size (Blade thickness x Width) mm	1x4				1x4			
Accessories								
Fixed bridge ( 10P )	FBI10-12				/			
Insertion bridge ( 2-10P )	EB10-12				EB10-12			
End cover	D-PC16				/			
Separating plate	TS-K				/			
Partition plate	ATP-PC				/			
Marker	ZB10				ZB10			
DIN rail	NS35/7.5 & NS35/15 ( Steel and Aluminium alloy are optional )				NS35/7.5 & NS35/15 ( Steel and Aluminium alloy are optional )			
End stopper	E-WS&E-PC&E-MK				E-WS&E-PC&E-MK			

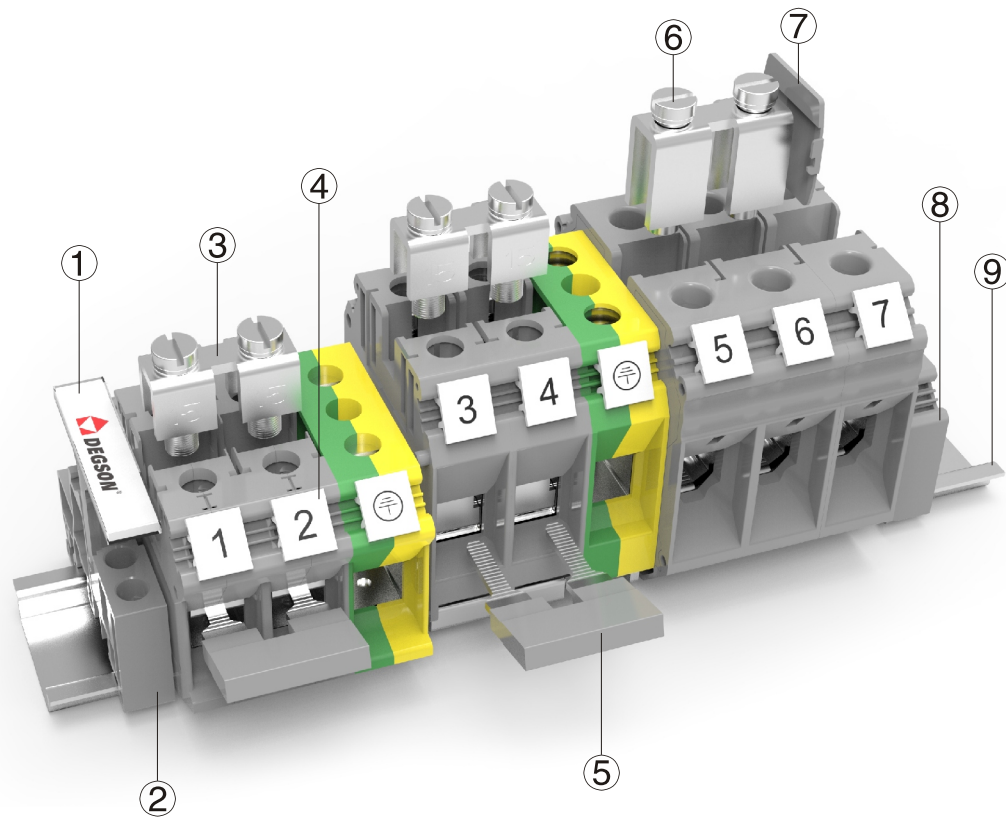
Screw connection technology 2

Feed-through and ground terminal blocks


**PC 16-105A(H)**
**PCIK 16**

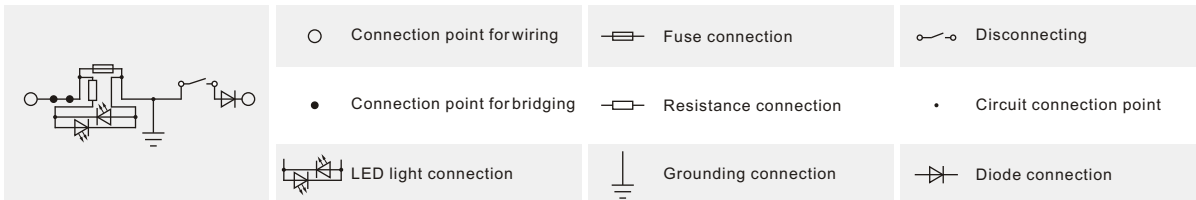
Notes: For additional accessories and operating instruction, see page 120.

Dimension	IEC60947-7-1				UL1059			
Width/Length/Height(NS35/7.5&NS35/15) mm	12.2/48.5/55.3(62.8)				12.2/42.5/47.25(54.75)			
Electrical Parameter	IEC60947-7-1		UL1059		IEC60947-7-1		UL1059	
Rated voltage V	1000		600		1000		600	
Rated current A	76		85		76		85	
Wire range mm <sup>2</sup> /AWG	1-16		16-4		0.2-16		12-4	
Screw/Rated torque -/N.m(lb.in)(kgf.cm)	M5/3(27)(30)				M4/1.2(10.5)(12.24)			
Rated surge voltage/Degree of pollution KV/-	8/3				8/3			
Overvoltage category/Insulation material group -/-	III / I				III / I			
Connection capacity	Solid	Stranded	Ferrule (with and without plastic sleeve)		Solid	Stranded	Ferrule (with and without plastic sleeve)	
1 conductor mm <sup>2</sup>	1-16	1-16	1-16	1-16	0.2-16	0.2-16	0.2-16	0.2-16
2 conductors with same cross section, stranded, TWIN ferrules with plastic sleeve mm <sup>2</sup>	—	—	—	0.5-6	—	—	—	0.5-6
General information	PA/V0				PA/V0			
Insulation material/Flammability rating(according to UL 94)	PA/V0				PA/V0			
Operation temperature °C ( °F )	-40(-40)~105(221)				-40(-40)~105(221)			
Stripping length mm	13-14				11-12			
Color	Gray ( customization demand is available )				Gray ( customization demand is available )			
Slotted screwdriver size (Blade thickness x Width) mm	1x4				1x4			
Accessories								
Fixed bridge ( 10P )	FBI10-12				FBI10-12			
Insertion bridge ( 2-10P )	EB10-12				EB10-12			
End cover	D-PC16-105A(H)				D-PCIK16			
Separating plate	TS-K				/			
Partition plate	ATP-PC				/			
Marker	ZB10				ZB10			
DIN rail	NS35/7.5 & NS35/15 ( Steel and Aluminium alloy are optional )				NS35/7.5 & NS35/15 ( Steel and Aluminium alloy are optional )			
End stopper	E-WS&E-PC&E-MK				E-WS&E-PC&E-MK			



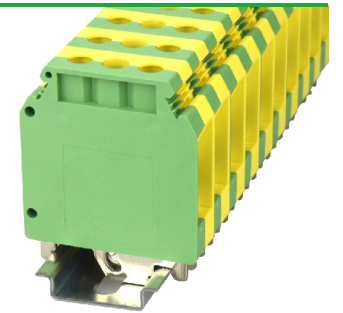
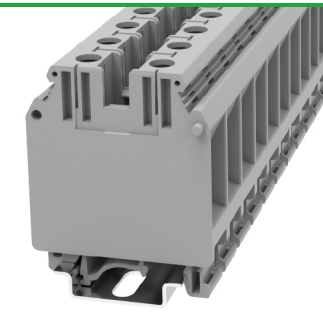
Description	Part No.	Remark
① Terminal strip marker carrier	DLM2-01P-17-00A(H)	Suitable for E-PC, use for marking
② End stopper	E-PC-01P-11-1000A(H)	Fixing products on NS35 DIN rail
③ Fixed bridge	FBI3-15-00A(H)	03P bridge, use for PCIK35
④ Marker	ZB10-10P-19-00A(H)	Marker is used for the side of PCIK35
⑤ Insertion bridge	EB2-15-11-00A(H)	02P bridge, use for PCIK35
⑥ Fixed bridge	FBI2-16-00A(H)	02P bridge, use for PC35-105A(H)
⑦ Separating plate	TS-K-01P-11-00A(H)	The separating plate is used for PC35 series
⑧ End stopper	E-WS-01P-11-00A(H)	Fixing products on NS35 DIN rail
⑨ DIN rail	NS35/7.5-0150-00A(H)	NS35 DIN rail

Circuit diagram



Screw connection technology 2

Feed-through and ground terminal blocks



PC 35



PC 35-PE

Notes: For additional accessories and operating instruction, see page 123.

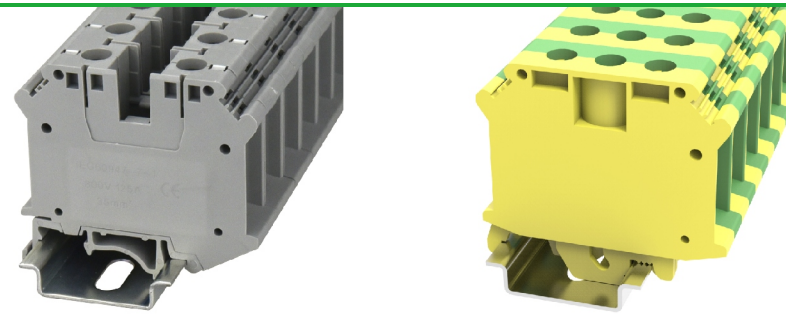
UL US CE ENE RoHS REACH

CE ENE RoHS REACH

Dimension	PC 35				PC 35-PE			
Width/Length/Height(NS35/7.5&NS35/15) mm	15.2/50/63.25(70.75)				15.2/50/63.25(70.75)			
Electrical Parameter	IEC IEC60947-7-1		UL UL1059		IEC IEC60947-7-2		UL UL1059	
Rated voltage V	1000		600		/		/	
Rated current A	125		150		/		/	
Wire range mm <sup>2</sup> /AWG	0.2-35		1/0-18		0.2-35		1/0-18	
Screw/Rated torque -/N.m(lb.in)(kgf.cm)	M6/2.5(22.15)(25)				M6/2.5(22.15)(25)			
Rated surge voltage/Degree of pollution KV/-	8/3				8/3			
Overvoltage category/Insulation material group -/-	III / I				III / I			
Connection capacity	Solid	Stranded	Ferrule (with and without plastic sleeve)		Solid	Stranded	Ferrule (with and without plastic sleeve)	
1 conductor mm <sup>2</sup>	0.2-35	0.2-35	0.2-35	0.2-16	0.2-35	0.2-35	0.2-35	0.2-16
2 conductors with same cross section, stranded, TWIN ferrules with plastic sleeve mm <sup>2</sup>	-	-	-	0.5-10	-	-	-	0.5-10
General information								
Insulation material/Flammability rating(according to UL 94)	PA/V0				PA/V0			
Operation temperature °C ( °F )	-40(-40)~105(221)				-40(-40)~105(221)			
Stripping length mm	15-16				18-19			
Color	Gray ( customization demand is available )				Green-yellow			
Slotted screwdriver size (Blade thickness x Width) mm	1x6.5				1x6.5			
Accessories								
Fixed bridge ( 2-3P )					FBI2-15 FBI3-15	/		
Insertion bridge ( 2-10P )					EB10-15	EB10-15		
End cover					/	/		
Separating plate					TS-K	/		
Partition plate					/	/		
Marker					ZB10	ZB10		
DIN rail					NS35/7.5 & NS35/15 ( Steel and Aluminium alloy are optional )			
End stopper					E-WS&E-PC&E-MK			

Screw connection technology 2

Feed-through and ground terminal blocks


**PCIK 35**

**PCIK 35-PE**

Notes: For additional accessories and operating instruction, see page 123.

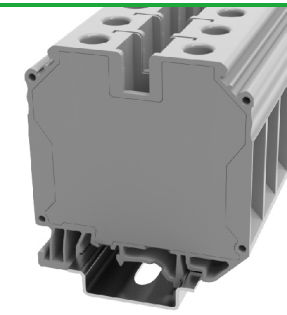
CE ENEC RoHS REACH

CE ENEC RoHS REACH

Dimension		CE ENEC RoHS REACH				CE ENEC RoHS REACH			
Width/Length/Height(NS35/7.5&NS35/15) mm		15.2/55/51.25(58.75)				15.2/55/51.25(58.75)			
Electrical Parameter		IEC IEC60947-7-1		UL UL1059		IEC IEC60947-7-2		UL UL1059	
Rated voltage	V	800		600		/		/	
Rated current	A	125		85		/		/	
Wire range	mm <sup>2</sup> /AWG	0.2-35		12-2		0.2-35		12-2	
Screw/Rated torque	-/N.m(lb.in)(kgf.cm)	M6/2.5(22.15)(25)				M6/2.5(22.15)(25)			
Rated surge voltage/Degree of pollution	KV/-	8/3				8/3			
Overvoltage category/Insulation material group	-/-	III / I				III / I			
Connection capacity		Solid	Stranded	Ferrule (with and without plastic sleeve)		Solid	Stranded	Ferrule (with and without plastic sleeve)	
1 conductor	mm <sup>2</sup>	0.2-35	0.2-35	0.2-35	0.2-16	0.2-35	0.2-35	0.2-35	0.2-16
2 conductors with same cross section, stranded, TWIN ferrules with plastic sleeve	mm <sup>2</sup>	—	—	—	0.5-10	—	—	—	0.5-10
General information									
Insulation material/Flammability rating(according to UL 94)		PA/V0				PA/V0			
Operation temperature °C ( °F )		-40(-40)~105(221)				-40(-40)~105(221)			
Stripping length mm		16-17				16-17			
Color		Gray ( customization demand is available )				Green-yellow			
Slotted screwdriver size (Blade thickness x Width) mm		1x6.5				1x6.5			
Accessories									
Fixed bridge ( 2-3P )		FBI2-15 FBI3-15		/		/		/	
Insertion bridge ( 2-10P )		EB10-15		/		EB10-15		/	
End cover		/		/		/		/	
Separating plate		TS-K		/		/		/	
Partition plate		/		/		/		/	
Marker		ZB10		/		ZB10		/	
DIN rail		NS35/7.5 & NS35/15 ( Steel and Aluminium alloy are optional )				NS35/7.5 & NS35/15 ( Steel and Aluminium alloy are optional )			
End stopper		E-WS&E-PC&E-MK				E-WS&E-PC&E-MK			

Screw connection technology 2

Feed-through and ground terminal blocks

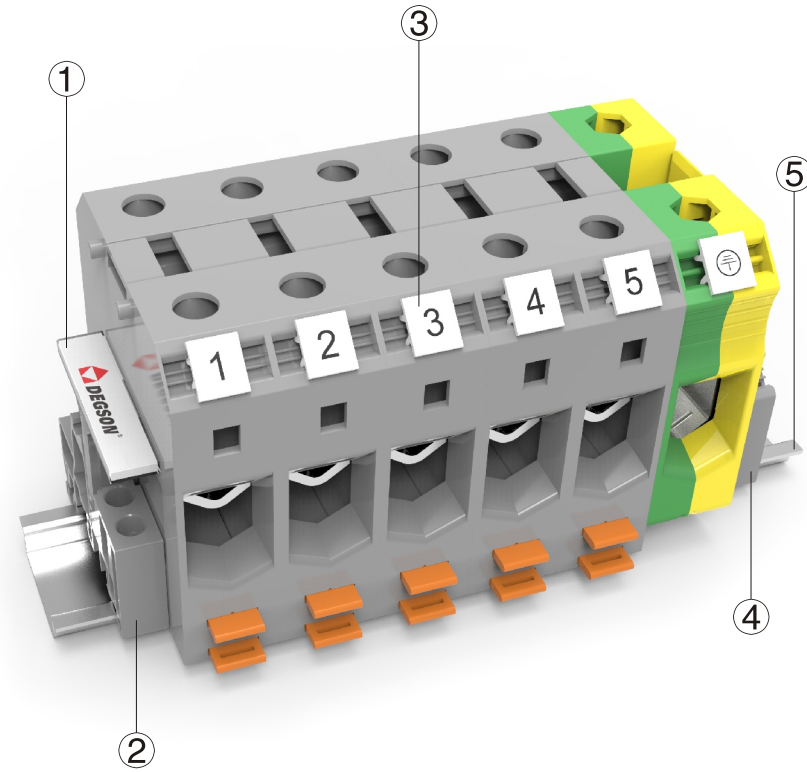

**PC 35-105A(H)**

Notes: For additional accessories and operating instruction, see page 123.

CE ENEC RoHS REACH

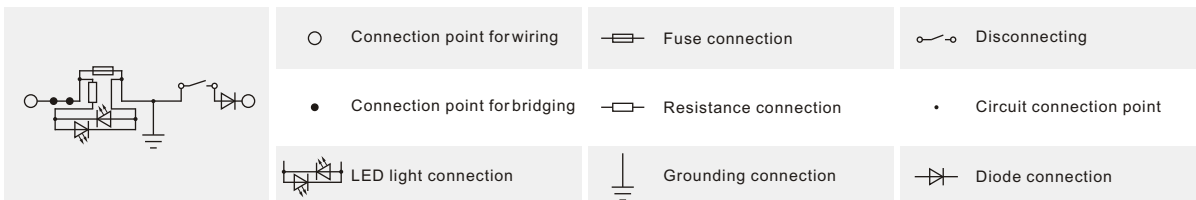
Dimension		CE ENEC RoHS REACH			
Width/Length/Height(NS35/7.5&NS35/15) mm		16.2/60/66.25(73.75)			
Electrical Parameter		IEC IEC60947-7-1		UL UL1059	
Rated voltage	V	1000		600	
Rated current	A	125		150	
Wire range	mm <sup>2</sup> /AWG	0.5-35		14-1/0	
Screw/Rated torque	-/N.m(lb.in)(kgf.cm)	M6/3.5(31)(35.7)			
Rated surge voltage/Degree of pollution	KV/-	8/3			
Overvoltage category/Insulation material group	-/-	III / I			
Connection capacity		Solid	Stranded	Ferrule (with and without plastic sleeve)	
1 conductor	mm <sup>2</sup>	1.5-35	1.5-35	1.5-35	1.5-35
2 conductors with same cross section, stranded, TWIN ferrules with plastic sleeve	mm <sup>2</sup>	—	—	—	0.5-10
General information					
Insulation material/Flammability rating(according to UL 94)		PA/V0			
Operation temperature °C ( °F )		-40(-40)~105(221)			
Stripping length mm		17-18			
Color		Gray ( customization demand is available )			
Slotted screwdriver size (Blade thickness x Width) mm		1x6.5			
Accessories					
Fixed bridge ( 2P )		FBI2-16			
Insertion bridge ( 2-10P )		/			
End cover		/			
Separating plate		TS-K			
Partition plate		/			
Marker		ZB10			
DIN rail		NS35/7.5 & NS35/15 ( Steel and Aluminium alloy are optional )			
End stopper		E-WS&E-PC&E-MK			





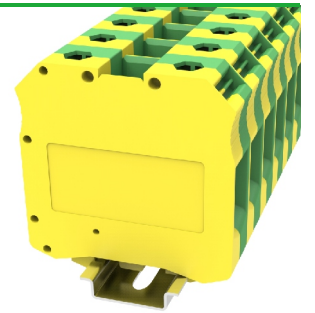
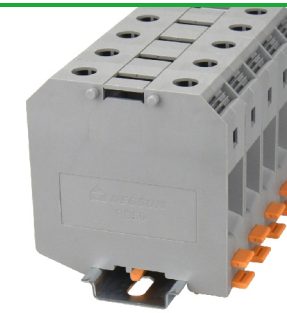
Description	Part No.	Remark
① Terminal strip marker carrier	DLM2-01P-17-00A(H)	Suitable for E-PC, use for marking
② End stopper	E-PC-01P-11-1000A(H)	Fixing products on NS35 DIN rail
③ Marker	ZB10-10P-19-00A(H)	Marker is used for the side of PC50 series
④ End stopper	E-WS-01P-11-00A(H)	Fixing products on NS35 DIN rail
⑤ DIN rail	NS35/7.5-0150-00A(H)	NS35 DIN rail

Circuit diagram

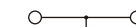


Screw connection technology 2

Feed-through and ground terminal blocks



PC 50



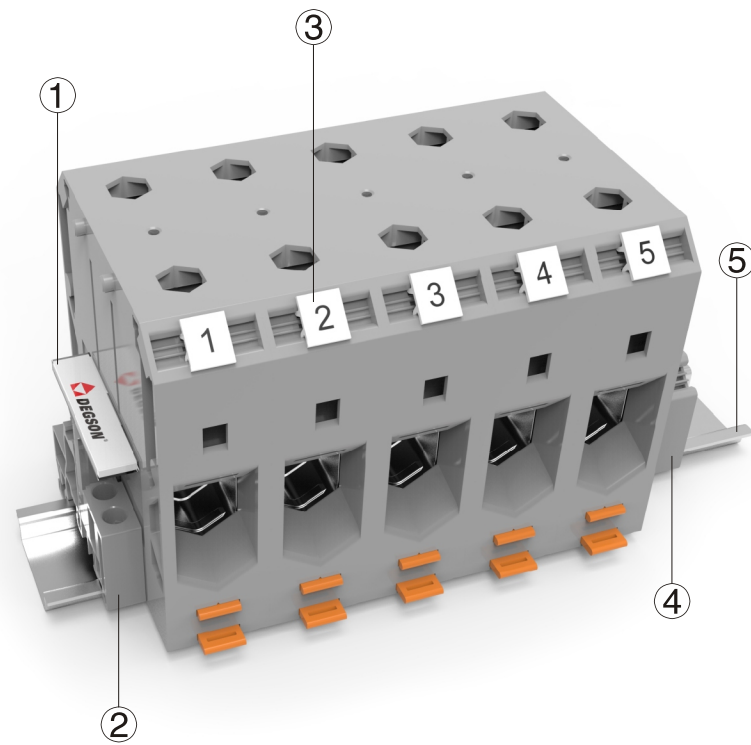
PC 50-PE

Notes: For additional accessories and operating instruction, see page 127.

UL CE ENE RoHS REACH

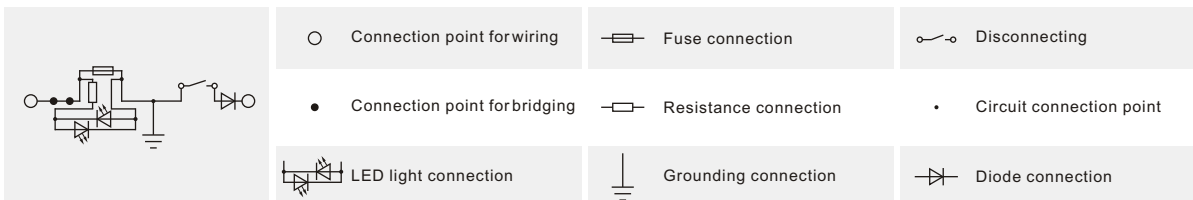
CE ENE RoHS REACH

Dimension	UL CE ENE RoHS REACH				CE ENE RoHS REACH			
Width/Length/Height(NS35/7.5&NS35/15) mm	20/70.5/75.94(83.44)				20/70.5/75.94(83.44)			
Electrical Parameter	IEC IEC60947-7-1	UL UL1059	IEC IEC60947-7-2	UL UL1059	IEC IEC60947-7-2	UL UL1059	IEC IEC60947-7-2	UL UL1059
Rated voltage V	1000	600	/	/	/	/	/	/
Rated current A	150	125	/	/	/	/	/	/
Wire range mm <sup>2</sup> /AWG	10-50	1/0-6	10-50	1/0-6	10-50	1/0-6	10-50	1/0-6
Screw/Rated torque -/N.m(lb.in)(kgf.cm)	M6/2.5(22.15)(25)				M6/2.5(22.15)(25)			
Rated surge voltage/Degree of pollution KV/-	8/3				8/3			
Overvoltage category/Insulation material group -/-	III / I				III / I			
Connection capacity	Solid	Stranded	Ferrule (with and without plastic sleeve)		Solid	Stranded	Ferrule (with and without plastic sleeve)	
1 conductor mm <sup>2</sup>	16-50	16-50	16-50	16-50	16-50	16-50	16-50	16-50
2 conductors with same cross section, stranded, TWIN ferrules with plastic sleeve mm <sup>2</sup>	-	-	-	10-16	-	-	-	10-16
General information	UL CE ENE RoHS REACH				CE ENE RoHS REACH			
Insulation material/Flammability rating(according to UL 94)	PA/V0				PA/V0			
Operation temperature °C ( °F )	-40(-40)~105(221)				-40(-40)~105(221)			
Stripping length mm	22-23				22-23			
Color	Gray ( customization demand is available )				Green-yellow			
Slotted screwdriver size (Blade thickness x Width) mm	1.2x8				1.2x8			
Accessories	UL CE ENE RoHS REACH				CE ENE RoHS REACH			
Fixed bridge ( 10P )	/				/			
Insertion bridge ( 2-10P )	/				/			
End cover	/				/			
Separating plate	/				/			
Partition plate	/				/			
Marker	ZB10				ZB10			
DIN rail	NS35/7.5 & NS35/15 ( Steel and Aluminium alloy are optional )				NS35/7.5 & NS35/15 ( Steel and Aluminium alloy are optional )			
End stopper	E-WS&E-PC&E-MK				E-WS&E-PC&E-MK			



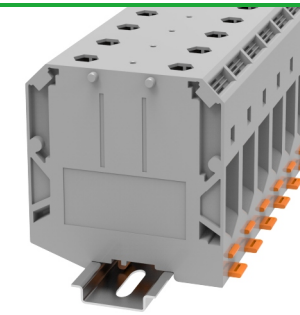
Description	Part No.	Remark
① Terminal strip marker carrier	DLM2-01P-17-00A(H)	Suitable for E-PC, use for marking
② End stopper	E-PC-01P-11-1000A(H)	Fixing products on NS35 DIN rail
③ Marker	ZB10-10P-19-00A(H)	Marker is used for the side of PC95
④ End stopper	E-WS-01P-11-00A(H)	Fixing products on NS35 DIN rail
⑤ DIN rail	NS35/7.5-0150-00A(H)	NS35 DIN rail

Circuit diagram



Screw connection technology 2

Feed-through terminal blocks



Notes: For additional accessories and operating instruction, see page 129.

PC 95

CE ENEC RoHS REACH

Dimension				
Width/Length/Height(NS35/7.5&NS35/15) mm	25/83/90.04(97.54)			
Electrical Parameter	IEC IEC60947-7-1	UL UL1059		
Rated voltage V	1000	600		
Rated current A	232	230		
Wire range mm <sup>2</sup> /AWG	25-95	3/0-4		
Screw/Rated torque -/N.m(lb.in)(kgf.cm)	M8/25(221.5)(250)			
Rated surge voltage/Degree of pollution KV/-	8/3			
Overvoltage category/Insulation material group -/-	III / I			
Connection capacity	Solid	Stranded	Ferrule (with and without plastic sleeve)	
1 conductor mm <sup>2</sup>	25-95	25-95	25-95	25-95
2 conductors with same cross section, stranded, TWIN ferrules with plastic sleeve mm <sup>2</sup>	-	-	-	25-35
General information				
Insulation material/Flammability rating(according to UL 94)	PA/V0			
Operation temperature °C ( °F )	-40(-40)~105(221)			
Stripping length mm	33-35			
Color	Gray ( customization demand is available )			
Socket head wrench	Hex socket 6			
Accessories				
Fixed bridge ( 10P )	/			
Insertion bridge ( 2-10P )	/			
End cover	/			
Separating plate	/			
Partition plate	/			
Marker	ZB10			
DIN rail	NS35/7.5 & NS35/15 ( Steel and Aluminium alloy are optional )			
End stopper	E-WS&E-PC&E-MK			

