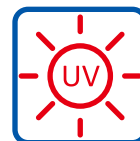




2022.06



## Plastic Enclosures





**EN series (Hinged enclosures)**

**EN系列**

1-9



**ET series (Screw cover enclosures)**

**ET系列**

10-13



**ES series (Screw cover boxes)**

**ES系列**

14-24



**AS series (ABS / UL94 V-0)**

**AS系列**

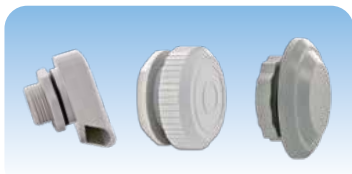
25



**TERMINAL BLOCK BOX**

**端子台接線盒**

26-36



**VENTILATOR**

通風器

37-38



**CABLE GLAND**

電纜防水接頭

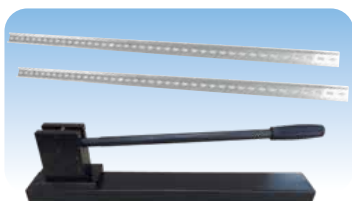
39



**INSPECTION WINDOWS**

視窗

40-41



**ROSH DIN RAIL TS35 / DIN CUTTER**

TS35鋼軌 / 導軌切斷器

42-43



**MULTIPLE SOCKET**

萬用插座

44



**AIR COOLING WITH FILTER**

風扇加滑蓋式通風濾網組

45-46

## Who We Are

Coca is a manufacturer and trader specialized in the research, development, production of automation system, such as enclosures, thermostats, heaters, integrated flashing lights, miniature circuit breakers, I/O control modules and further control devices.

Coca Enterprise was founded in 1991 in Taiwan and established two brands [e-tan](#) and [DEMEX](#).

## Our Strength

Coca provided various enclosures with different materials and sizes that form a flexible production line, providing many categories of accessories to meet your exact requirements.

Our enclosures are good at waterproof, dustproof and impact protection. We got protection class IP68 TÜV Rheinland Certificates of enclosure ES, EN, ET, MP and TB series. We also provide enclosures with UV resistance conforming to UL746C /f1 and flammability UL94 / V-0.

## One-Stop Shop

We offer precise drilling services to fit your own designs.

## Who we are

谷家在1991年成立於台灣，且建立兩個品牌[e-tan](#)與[DEMEX](#)，專於研發與生產自動化控制系統的相關產品，例如工業開關箱、恆溫器、加熱器、LED警示燈、斷路器、介面模組與其他控制裝置。

## Our Strength

谷家透過彈性的生產線，提供多樣性的開關箱，備有多種的材質與尺寸以供選擇，而且同時提供多種的周邊配件以符合客戶的需求。我們的開關箱在防水防塵與防衝擊有著卓越的性能，且ES、EN、ET、MP與TB系列已取得德國萊因TÜV IP68認證。谷家也提供開關箱具有抗UV 符合UL746C/f1 與耐燃符合UL94/ V-0。

## One-Stop Shop

我們提供精準的鑽孔客製化服務，使客戶能在谷家就能完成所有需求，而無須尋找二次加工廠商。

---



## TECHNICAL INFORMATION

### 防水箱技術數據

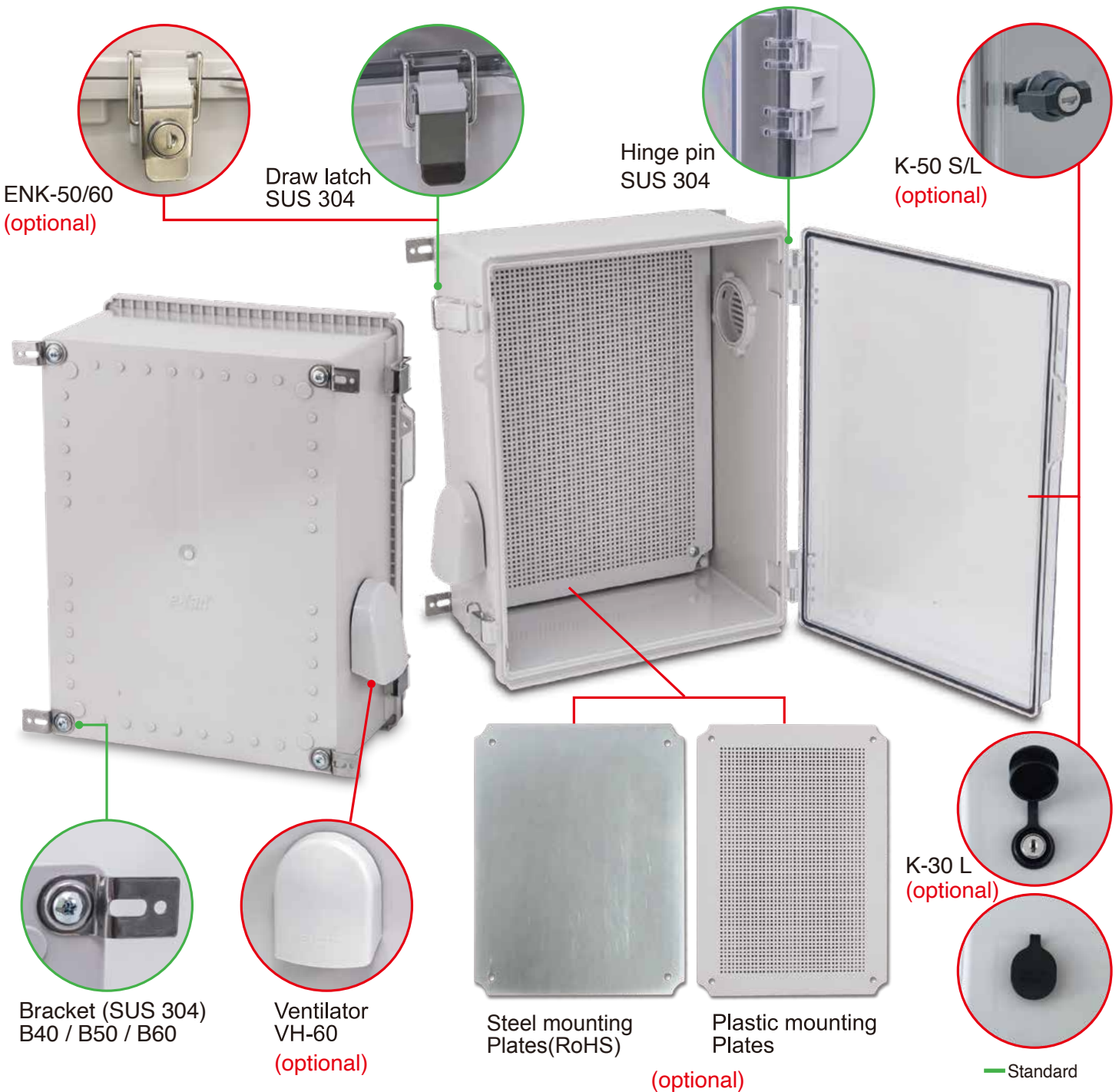
PROPERTY / 特性	ABS	PC/ABS	Polycarbonate 聚碳酸酯(PC)
Ingress protection 防護等級 ( IEC 60529 )	IP 68	IP 68	IP 68
Impact protection 撞擊防護等級	IK 08	IK 08	IK 08 / 10
Color 標準顏色	Light gray / 淺灰 ( RAL 7035 )	Light gray / 淺灰 ( RAL 7035 )	Transparency / 無色透明
Temperature 溫度範圍	-40°C ~ + 60°C	-40°C ~ + 80°C	-40°C ~ + 80°C (up to 100°C @ 1 HR)
RTI. Elec. / Imp. / Str.	Max. + 60°C / + 60°C / + 60°C	Max. + 85°C / + 85°C / + 85°C	Max. + 125°C / +115°C / +125°C
Flammability 防火等級	UL 94-HB	UL 94 V-0, 5VB	UL 94 V-0
UV resistance 抗紫外線			UL746C ( f1 ), ΔE5.8@1000h
Salt spray 鹽霧測試(IEC 60068-2-52)			Pass (1344 HR)
Insulation 絕緣	回 完全絕緣	回 完全絕緣	回 完全絕緣
Non-toxic products 無毒產品	Halogen free 無鹵素	Halogen free 無鹵素	Halogen free 無鹵素
Gasket material 密封圈材質	Polyurethane foam / 聚氨酯	Polyurethane foam / 聚氨酯	Polyurethane foam / 聚氨酯

AG		AT		PG		PT	
Body	Cover	Body	Cover	Body	Cover	Body	Cover
ABS	ABS	ABS	PC	PC/ABS	PC/ABS	PC/ABS	PC
Gray	Gray	Gray	Transparent	Gray	Gray	Gray	Transparent



**Special features of EN series    EN系列特點**

1. All enclosures are conformed to IP68 of dustproof and waterproof.
  2. Plastic plates and metal plates are optional.
  3. Draw latches are made up of stainless 304 and plastic base. Hinge pins are made of stainless 304. Both of them won't be deformed and rusty. They are strong and durable.
  4. It's easy to fix enclosures with brackets of stainless 304.
  5. **We can provide enclosures for harsh environments, such as coast, marine, renewable energy or water treatment on request.**
1. 所有開關箱均符合防水防塵的防護等級: IP68
  2. 塑膠底板及鐵底板可供選擇
  3. 扣環及活頁的插銷由塑膠底座及不鏽鋼304製成, 耐用且不易生鏽及變形
  4. 不鏽鋼材質304的固定架可讓開關箱容易固定安裝
  5. **如您有需求, 我們可提供適用於嚴苛環境的開關箱, 例如用於臨近海邊、海上、再生能源或水處理場所**





## EN series models

Option 選配

Dimensions W x H x D (Cover included)	AG		AT		PG		PT		Mounting bracket	Mounting plate		Draw latch with lock
	Body ABS	Cover ABS	Body ABS	Cover PC	Body PC+ABS	Cover PC+ABS	Body PC+ABS	Cover PC		Steel	Plastic	
	Gray cover		Transparent cover		Gray cover		Transparent cover			1.6mm	> 3mm	
100 x 150 x 70	EN-AG-101507		EN-AT-101507		EN-PG-101507		EN-PT-101507	B40.00 / PB30.00	M0813	0813 PL	—	
100 x 150 x 85	EN-AG-101508		EN-AT-101508		EN-PG-101508		EN-PT-101508		M1015	1015 PL		
135 x 155 x 80	EN-AG-131508		EN-AT-131508		EN-PG-131508		EN-PT-131508		M1315	1315 PL		
135 x 185 x 80	EN-AG-131808		EN-AT-131808		EN-PG-131808		EN-PT-131808		M1217	1217 PL		
135 x 185 x 100	EN-AG-131810		EN-AT-131810		EN-PG-131810		EN-PT-131810		M1217	1217 PL		
150 x 150 x 90	EN-AG-151509		EN-AT-151509		EN-PG-151509		EN-PT-151509		M1515	1515 PL		
150 x 150 x 120	EN-AG-151512		EN-AT-151512		EN-PG-151512		EN-PT-151512		M1515	1515 PL		
160 x 210 x 100	EN-AG-162110		EN-AT-162110		EN-PG-162110		EN-PT-162110		M1520	1520 PL		
160 x 210 x 130	EN-AG-162113		EN-AT-162113		EN-PG-162113		EN-PT-162113		M1520	1520 PL		
160 x 260 x 100	EN-AG-162610		EN-AT-162610		EN-PG-162610		EN-PT-162610		M1525	1525 PL		
160 x 260 x 130	EN-AG-162613		EN-AT-162613		EN-PG-162613		EN-PT-162613		M1525	1525 PL		
170 x 220 x 110	EN-AG-172211		EN-AT-172211		EN-PG-172211		EN-PT-172211		M1520	1520 PL		
170 x 270 x 110	EN-AG-172711		EN-AT-172711		EN-PG-172711		EN-PT-172711		M1525	1525 PL		
210 x 210 x 100	EN-AG-212110		EN-AT-212110		EN-PG-212110		EN-PT-212110		M2121	2020 PL		
210 x 210 x 130	EN-AG-212113		EN-AT-212113		EN-PG-212113		EN-PT-212113		M2121	2020 PL		
190 x 280 x 100	EN-AG-192810		EN-AT-192810		EN-PG-192810		EN-PT-192810	M1928	1928 PL			
190 x 280 x 140	EN-AG-192814		EN-AT-192814		EN-PG-192814		EN-PT-192814	M1928	1928 PL			
200 x 300 x 130	EN-AG-203013		EN-AT-203013		EN-PG-203013		EN-PT-203013	M2030	2030 PL			
200 x 300 x 150	EN-AG-203015		EN-AT-203015		EN-PG-203015		EN-PT-203015	M2030	2030 PL			
200 x 300 x 180	EN-AG-203018		EN-AT-203018		EN-PG-203018		EN-PT-203018	M2030	2030 PL			
250 x 350 x 150	EN-AG-253515		EN-AT-253515		EN-PG-253515		EN-PT-253515	M2535	2535 PL			
250 x 350 x 180	EN-AG-253518		EN-AT-253518		EN-PG-253518		EN-PT-253518	M2535	2535 PL			
280 x 280 x 130	EN-AG-282813		EN-AT-282813		EN-PG-282813		EN-PT-282813	M2828	2828 PL			
280 x 380 x 130	EN-AG-283813		EN-AT-283813		EN-PG-283813		EN-PT-283813	M2838	2838 PL			
300 x 300 x 150	EN-AG-303015		EN-AT-303015		EN-PG-303015		EN-PT-303015	M3030	3030 PL			
300 x 300 x 180	EN-AG-303018		EN-AT-303018		EN-PG-303018		EN-PT-303018	M3030	3030 PL			
300 x 400 x 120	EN-AG-304012		EN-AT-304012		EN-PG-304012		EN-PT-304012	M3040	3040 PL			
300 x 400 x 150	EN-AG-304015		EN-AT-304015		EN-PG-304015		EN-PT-304015	M3040	3040 PL			
300 x 400 x 180	EN-AG-304018		EN-AT-304018		EN-PG-304018		EN-PT-304018	M3040	3040 PL			
350 x 350 x 150	EN-AG-353515		EN-AT-353515		EN-PG-353515		EN-PT-353515	M3535	3535 PL			
350 x 350 x 180	EN-AG-353518		EN-AT-353518		EN-PG-353518		EN-PT-353518	M3535	3535 PL			
350 x 450 x 120	EN-AG-354512		EN-AT-354512		EN-PG-354512		EN-PT-354512	M3545	3545 PL			
350 x 450 x 160	EN-AG-354516		EN-AT-354516		EN-PG-354516		EN-PT-354516	M3545	3545 PL			
350 x 450 x 200	EN-AG-354520		EN-AT-354520		EN-PG-354520		EN-PT-354520	M3545	3545 PL			
400 x 500 x 160	EN-AG-405016		EN-AT-405016		EN-PG-405016		EN-PT-405016	M4050	4050 PL			
400 x 500 x 200	EN-AG-405020		EN-AT-405020		EN-PG-405020		EN-PT-405020	M4050	4050 PL			
400 x 600 x 180	EN-AG-406018		EN-AT-406018		EN-PG-406018		EN-PT-406018	M4060	4060 PL			
400 x 600 x 230	EN-AG-406023		EN-AT-406023		EN-PG-406023		EN-PT-406023	M4060	4060 PL			
530 x 630 x 185	EN-AG-506018		EN-AT-506018		EN-PG-506018		EN-PT-506018	M5060	5060 PL			
530 x 630 x 255	EN-AG-506025		EN-AT-506025		EN-PG-506025		EN-PT-506025	M5060	5060 PL			
530 x 730 x 185	EN-AG-507018		EN-AT-507018		EN-PG-507018		EN-PT-507018	M5070	5070 PL			
530 x 730 x 255	EN-AG-507025		EN-AT-507025		EN-PG-507025		EN-PT-507025	M5070	5070 PL			

### Mounting bracket



■ B60



■ B50



■ B40



■ PB30.00

### Draw latch



■ EN-L60  
EN-406018 ~ EN-608028



■ EN-L50  
EN-203013 ~ EN-405020

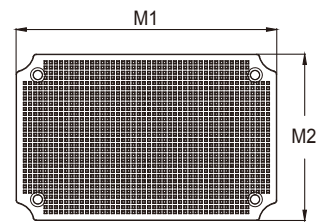
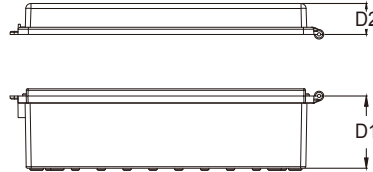
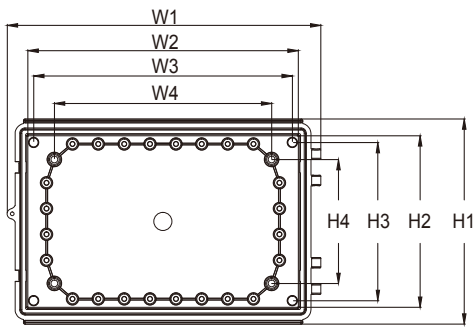
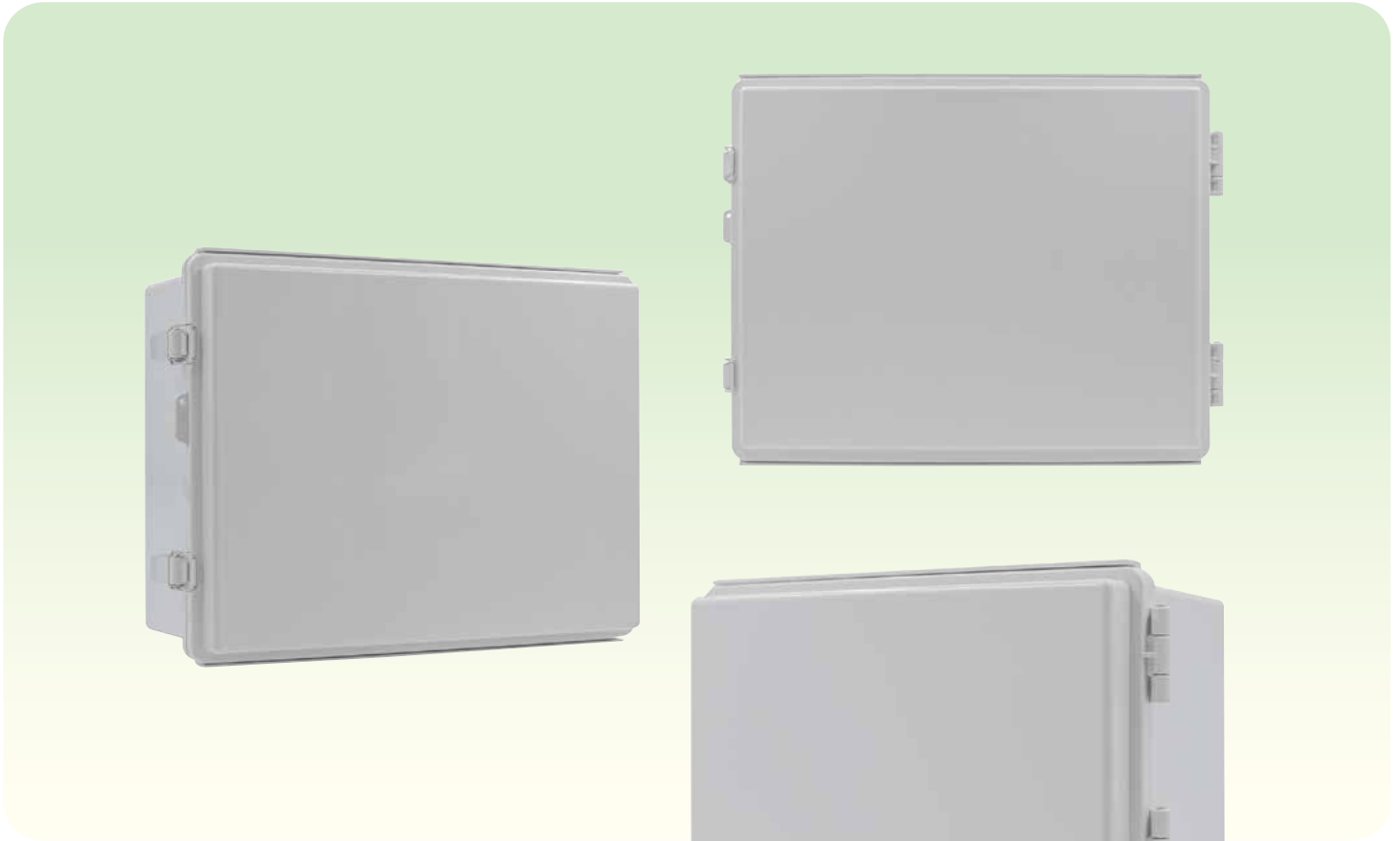


■ EN-L40  
EN-101507 ~ EN-192814



■ ENK-50  
ENK-60

## Horizontal Enclosures



Option 選配

Dimensions W x H x D (Cover included)	AG		AT		PG		PT		Mounting bracket	Mounting plate		Draw latch with lock
	Body ABS	Cover ABS	Body ABS	Cover PC	Body PC+ABS	Cover PC+ABS	Body PC+ABS	Cover PC		Steel	Plastic	
	Gray cover		Transparent cover		Gray cover		Transparent cover			1.6mm	> 3mm	
286 x 190 x 100	EN-AG-291910		EN-AT-291910		EN-PG-291910		EN-PT-291910		B50.00	M1928	1928 PL	—
300 x 200 x 150	EN-AG-302015		EN-AT-302015		EN-PG-302015		EN-PT-302015	M2030		2030 PL	ENK-50	
300 x 200 x 180	EN-AG-302018		EN-AT-302018		EN-PG-302018		EN-PT-302018	M2030		2030 PL		
400 x 300 x 150	EN-AG-403015		EN-AT-403015		EN-PG-403015		EN-PT-403015	M3040		3040 PL		
400 x 300 x 180	EN-AG-403018		EN-AT-403018		EN-PG-403018		EN-PT-403018	M3040		3040 PL		
500 x 400 x 200	EN-AG-504020		EN-AT-504020		EN-PG-504020		EN-PT-504020	B60.00		M4050	4050 PL	ENK-60



# Weatherproof enclosures

**+ UV Resistant**  
**+ Flame Resistant**



IP68 : Immersion in 1 meter of water for 1 hour



## TECHNICAL INFORMATION 防水箱技術數據

PROPERTY / 特性	Polycarbonate/聚碳酸酯 (PC)	Polycarbonate/聚碳酸酯 (PC)
Ingress protection / 防護等級( IEC 60529)	IP 68	IP 68
Impact protection / 撞擊防護等級	IK 08 / 10	IK 08 / 10
Color / 標準顏色	Light gray / 淺灰 ( RAL 7035 )	Transparency / 無色透明
Temperature / 溫度範圍	-40°C ~ + 80°C (up to 100°C @ 1 HR)	-40°C ~ + 80°C (up to 100°C @ 1 HR)
RTI. Elec. / Imp. / Str.	Max. + 125°C / +115°C / +125°C	Max. + 125°C / +115°C / +125°C
Flammability / 防火等級	UL 94 V-0	UL 94 V-0
UV resistance / 抗紫外線	UL746C ( f1 ), ΔE9.07@1000h	UL746C ( f1 ), ΔE5.8@1000h
Salt spray / 鹽霧測試(IEC 60068-2-52)	Pass (1344 HR)	Pass (1344 HR)
Insulation / 絕緣	☐ 完全絕緣	☐ 完全絕緣
Non-toxic products / 無毒產品	Halogen free 無鹵素	Halogen free 無鹵素
Gasket material / 密封圈材質	Polyurethane foam / 聚氨酯	Polyurethane foam / 聚氨酯

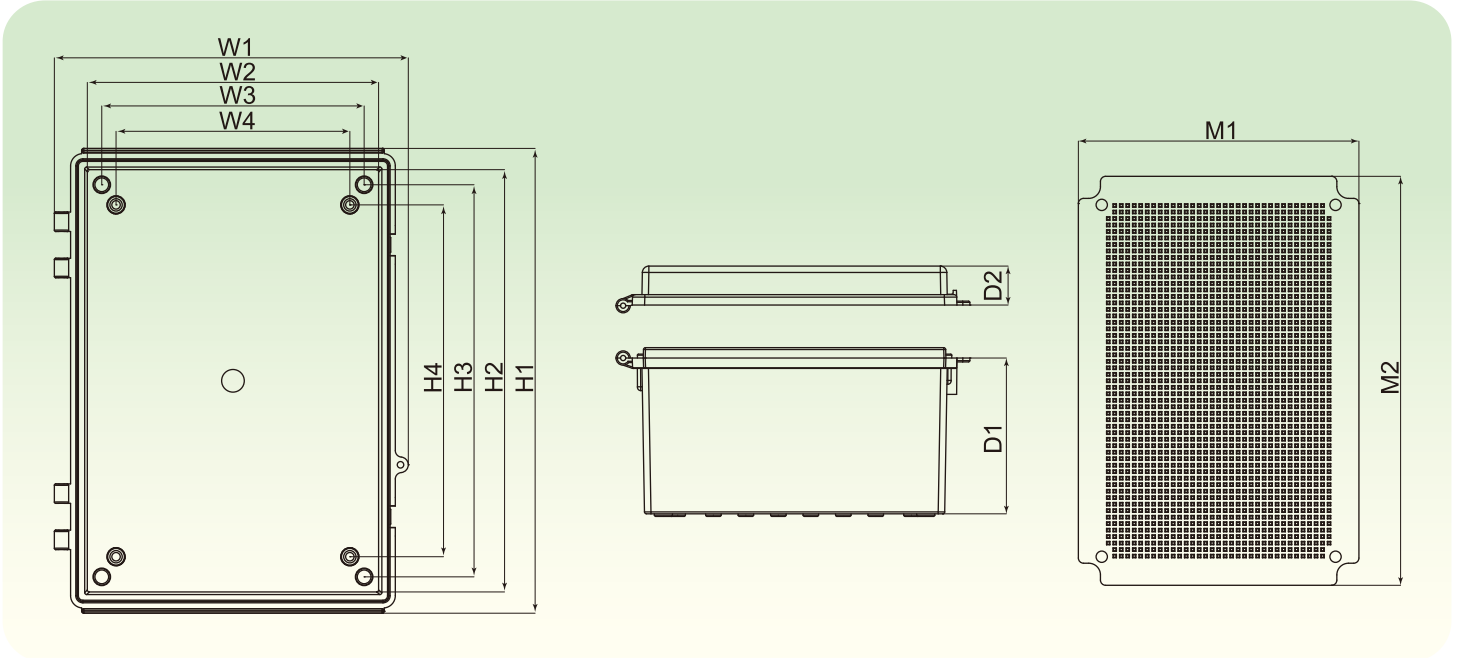
PCG		PCT	
Body	Cover	Body	Cover
PC	PC	PC	PC
Gray	Gray	Gray	Transparent



## EN series models

Dimensions W x H x D (Cover included)	PCG		PCT		Mounting bracket	Mounting plate		Draw latch with lock
	Body PC	Cover PC	Body PC	Cover PC		Steel	Plastic	
	Gray cover		Transparent cover			1.6mm	above 3mm	
100 x 150 x 70	EN-PCG-101507		EN-PCT-101507		B40.00 / PB30.00	M0813	0813 PL	—
100 x 150 x 85	EN-PCG-101508		EN-PCT-101508			M0813	0813 PL	
135 x 155 x 85	EN-PCG-131508		EN-PCT-131508			M1315	1315 PL	
135 x 185 x 80	EN-PCG-131808		EN-PCT-131808			M1217	1217 PL	
135 x 185 x 100	EN-PCG-131810		EN-PCT-131810			M1217	1217 PL	
150 x 150 x 90	EN-PCG-151509		EN-PCT-151509			M1515	1515 PL	
150 x 150 x 120	EN-PCG-151512		EN-PCT-151512			M1515	1515 PL	
160 x 210 x 100	EN-PCG-162110		EN-PCT-162110			M1520	1520 PL	
160 x 210 x 130	EN-PCG-162113		EN-PCT-162113			M1520	1520 PL	
160 x 260 x 100	EN-PCG-162610		EN-PCT-162610			M1525	1525 PL	
160 x 260 x 130	EN-PCG-162613		EN-PCT-162613			M1525	1525 PL	
170 x 220 x 110	EN-PCG-172211		EN-PCT-172211			M1520	1520 PL	
170 x 270 x 110	EN-PCG-172711		EN-PCT-172711			M1525	1525 PL	
210 x 210 x 110	EN-PCG-212110		EN-PCT-212110			M2121	2020 PL	
210 x 210 x 130	EN-PCG-212113		EN-PCT-212113		M2121	2020 PL		
190 x 280 x 100	EN-PCG-192810		EN-PCT-192810		B50.00	M1928	1928 PL	ENK-50
190 x 280 x 140	EN-PCG-192814		EN-PCT-192814			M1928	1928 PL	
200 x 300 x 130	EN-PCG-203013		EN-PCT-203013			M2030	2030 PL	
200 x 300 x 150	EN-PCG-203015		EN-PCT-203015			M2030	2030 PL	
200 x 300 x 180	EN-PCG-203018		EN-PCT-203018			M2030	2030 PL	
300 x 200 x 150	EN-PCG-302015		EN-PCT-302015			M2030	2030 PL	
300 x 200 x 180	EN-PCG-302018		EN-PCT-302018			M2030	2030 PL	
250 x 350 x 150	EN-PCG-253515		EN-PCT-253515			M2535	2535 PL	
250 x 350 x 180	EN-PCG-253518		EN-PCT-253518			M2535	2535 PL	
280 x 280 x 130	EN-PCG-282813		EN-PCT-282813			M2828	2828 PL	
280 x 380 x 130	EN-PCG-283813		EN-PCT-283813			M2838	2838 PL	
286 x 190 x 110	EN-PCG-291910		EN-PCT-291910			M1928	1928 PL	
300 x 300 x 150	EN-PCG-303015		EN-PCT-303015			M3030	3030 PL	
300 x 300 x 180	EN-PCG-303018		EN-PCT-303018			M3030	3030 PL	
300 x 400 x 120	EN-PCG-304012		EN-PCT-304012			M3040	3040 PL	
300 x 400 x 150	EN-PCG-304015		EN-PCT-304015			M3040	3040 PL	
300 x 400 x 180	EN-PCG-304018		EN-PCT-304018			M3040	3040 PL	
400 x 300 x 150	EN-PCG-403015		EN-PCT-403015			M3040	3040 PL	
400 x 300 x 180	EN-PCG-403018		EN-PCT-403018			M3040	3040 PL	
350 x 350 x 150	EN-PCG-353515		EN-PCT-353515			M3535	3535 PL	
350 x 350 x 180	EN-PCG-353518		EN-PCT-353518		M3535	3535 PL		
350 x 450 x 120	EN-PCG-354512		EN-PCT-354512		B60.00	M3545	3545 PL	ENK-60
350 x 450 x 160	EN-PCG-354516		EN-PCT-354516			M3545	3545 PL	
350 x 450 x 200	EN-PCG-354520		EN-PCT-354520			M3545	3545 PL	
400 x 500 x 160	EN-PCG-405016		EN-PCT-405016			M4050	4050 PL	
400 x 500 x 200	EN-PCG-405020		EN-PCT-405020			M4050	4050 PL	
500 x 400 x 200	EN-PCG-504020		EN-PCT-504020			M4050	4050 PL	
400 x 600 x 180	EN-PCG-406018		EN-PCT-406018			M4060	4060 PL	
400 x 600 x 230	EN-PCG-406023		EN-PCT-406023			M4060	4060 PL	
530 x 630 x 185	EN-PCG-506018		EN-PCT-506018		B60.01	M5060	5060 PL	ENK-60
530 x 630 x 255	EN-PCG-506025		EN-PCT-506025			M5060	5060 PL	
530 x 730 x 185	EN-PCG-507018		EN-PCT-507018			M5070	5070 PL	
530 x 730 x 255	EN-PCG-507025		EN-PCT-507025			M5070	5070 PL	

# EN series IP68



## Dimensions (mm)

Tolerance: ±1.0mm

Model	W x H x D	W1	W2	W3	W4	H1	H2	H3	H4	D1	D2	Steel Plate		Plastic Plate	
												M1	M2	M1	M2
EN-□□-101507	100 x 150 x 70	117	78.2	60	0	159	128.6	110	99.5	50	20	65	116	68.5	119
EN-□□-101508	100 x 150 x 85	117	78.2	60	0	159	128.6	110	99.5	65	20	65	116	68.5	119
EN-□□-131508	135 x 155 x 85	152.1	112.7	95	0	163.5	133.1	115	110	65	20	108.8	129	109	129
EN-□□-131808	135 x 185 x 85	152.1	112.7	95	0	193.5	163.1	145	140	65	20	100.9	157.6	109	159
EN-□□-131810	135 x 185 x 100	152.1	112.2	95	0	193.5	162.6	145	140	80	20	100.9	157.6	109	159
EN-□□-151509	150 x 150 x 90	167.1	127.4	115	0	158.5	127.4	115	110	70	20	124.9	124.2	123	123
EN-□□-151512	150 x 150 x 120	167.1	126.3	115	0	158.5	126.3	115	110	100	20	124.9	124.2	123	123
EN-□□-162110	163 x 210 x 100	180.1	140.2	120	0	218.5	187.8	170	160	75	25	136	183	135	185
EN-□□-162113	163 x 210 x 130	180.1	139.1	120	0	218.5	186.7	170	160	105	25	136	183	135	185
EN-□□-162610	160 x 260 x 100	177.1	137.2	120	0	268.5	237.8	220	210	75	25	134	234	135	235
EN-□□-162613	160 x 260 x 130	177.1	136.1	120	0	268.5	236.7	220	210	105	25	134	234	135	235
EN-□□-172211	173 x 220 x 110	190.1	149.6	132	0	228.5	197.6	182	160	80	30	136	183	135	185
EN-□□-172711	170 x 270 x 110	187.1	146.6	132	0	278.5	247.6	232	210	80	30	134	234	135	235
EN-□□-212110	210 x 210 x 100	227.1	187.2	170	0	218.5	187.8	170	160	75	25	179	179	179	179
EN-□□-212113	210 x 210 x 130	227.1	186.1	170	0	218.5	186.7	170	160	105	25	179	179	179	179
EN-□□-192810	190 x 280 x 100	207.1	167	148	120	288.5	258	238	210	70	30	161	251.5	161	252
EN-□□-192814	190 x 280 x 140	207.1	165.6	148	120	288.5	256.6	238	210	110	30	161	251.5	161	252
EN-□□-291910	286 x 190 x 100	303	263	250	210	198.5	168	153	120	70	30	161	251.5	161	252
EN-□□-203013	200 x 300 x 131	222.5	175.9	152	129	308	275.9	252	226	101	30	166.5	266	166	266
EN-□□-203015	200 x 300 x 151	222.5	175.2	152	129	308	275.2	252	226	121	30	166.5	266	166	266
EN-□□-203018	200 x 300 x 181	222.5	174.2	152	129	308	274.2	252	226	151	30	166.5	266	166	266
EN-□□-302015	300 x 200 x 150	320	274	252	226	208	176	152	129	120	30	166.5	266	166	266
EN-□□-302018	300 x 200 x 180	320	273	252	226	208	175	152	129	150	30	166.5	266	166	266
EN-□□-253515	250 x 350 x 150	272.5	225.3	202	180	358	325.3	302	271	120	30	216	315	216	315
EN-□□-253518	250 x 350 x 180	272.5	223.2	202	180	358	324.2	302	271	150	30	216	315	216	315
EN-□□-282813	280 x 280 x 130	302.5	255.5	238	210	288	255.5	238	210	100	30	251	251.5	249	249
EN-□□-283813	280 x 380 x 130	302.5	355.9	238	210	388	355.9	338	310	100	30	252	353.2	248	347.5
EN-□□-303015	300 x 300 x 150	322.5	275.3	252	219	308	275.3	252	219	120	30	262	262	262	262
EN-□□-303018	300 x 300 x 180	322.5	273.2	252	219	308	274.2	252	219	150	30	262	262	262	262
EN-□□-304012	300 x 400 x 120	324.7	275.3	252	223.4	408	376.1	352	323.4	89.5	31	265.2	362.3	268	368
EN-□□-304015	300 x 400 x 150	324.7	275	252	223.4	408	375	352	323.4	119.5	31	265.2	362.3	268	368
EN-□□-304018	300 x 400 x 180	324.7	274	252	223.4	408	374	352	323.4	149.5	31	265.2	362.3	268	368
EN-□□-403015	400 x 300 x 150	430.5	374.3	352	322	316.4	274.3	252	227	120	30	265.2	362.3	268	368
EN-□□-403018	400 x 200 x 180	430.5	373.2	352	322	317.2	271	252	227	150	30	265.2	362.3	268	368
EN-□□-353515	350 x 350 x 150	372.5	324.3	302	270	358	324.3	302	270	120	30	313.5	313.5	314	314
EN-□□-353518	350 x 350 x 180	372.5	323.2	302	270	358	323.2	302	270	150	30	313.5	313.5	314	314
EN-□□-354512	350 x 450 x 120	376.5	323.8	300	274	461	425.3	400	365	90	30	305.7	406.3	306	407
EN-□□-354516	350 x 450 x 160	376.5	323.9	300	274	461	423.9	400	365	130	30	305.7	406.3	306	407
EN-□□-354520	350 x 450 x 200	376.5	320.5	300	274	461	422.5	400	365	170	30	305.7	406.3	306	407
EN-□□-405016	400 x 500 x 160	427.5	371.9	352	328	511	473.9	452	428	130	30	362.5	463	358	458
EN-□□-405020	400 x 500 x 200	427.5	370.5	352	328	511	472.5	452	428	170	30	362.5	463	358	458
EN-□□-504020	500 x 400 x 200	542.5	472.5	452	428	427	372.5	352	328	170	30	362	462.5	358	458
EN-□□-406018	415 x 615 x 180	442.5	371.9	352	328	626	571.9	552	525	150	30	350.7	550.5	358	556
EN-□□-406023	415 x 615 x 230	442.5	370.1	352	328	626	570.1	552	525	200	30	350.7	550.5	358	556
EN-□□-506018	530 x 630 x 185	557.5	486.8	462	426	641	586.8	562	526	150	35	469.6	551.5	460	560
EN-□□-506025	530 x 630 x 255	557.5	484.4	462	426	641	584.4	562	526	220	35	469.6	551.5	460	560
EN-□□-507018	530 x 730 x 185	557.5	486.9	462	426	741	686.9	662	626	150	35	469.6	652	460	660
EN-□□-507025	530 x 730 x 255	557.5	484.4	462	426	741	684.4	662	626	220	35	469.6	652	460	660

# EN series IP68

Inner Door Kit

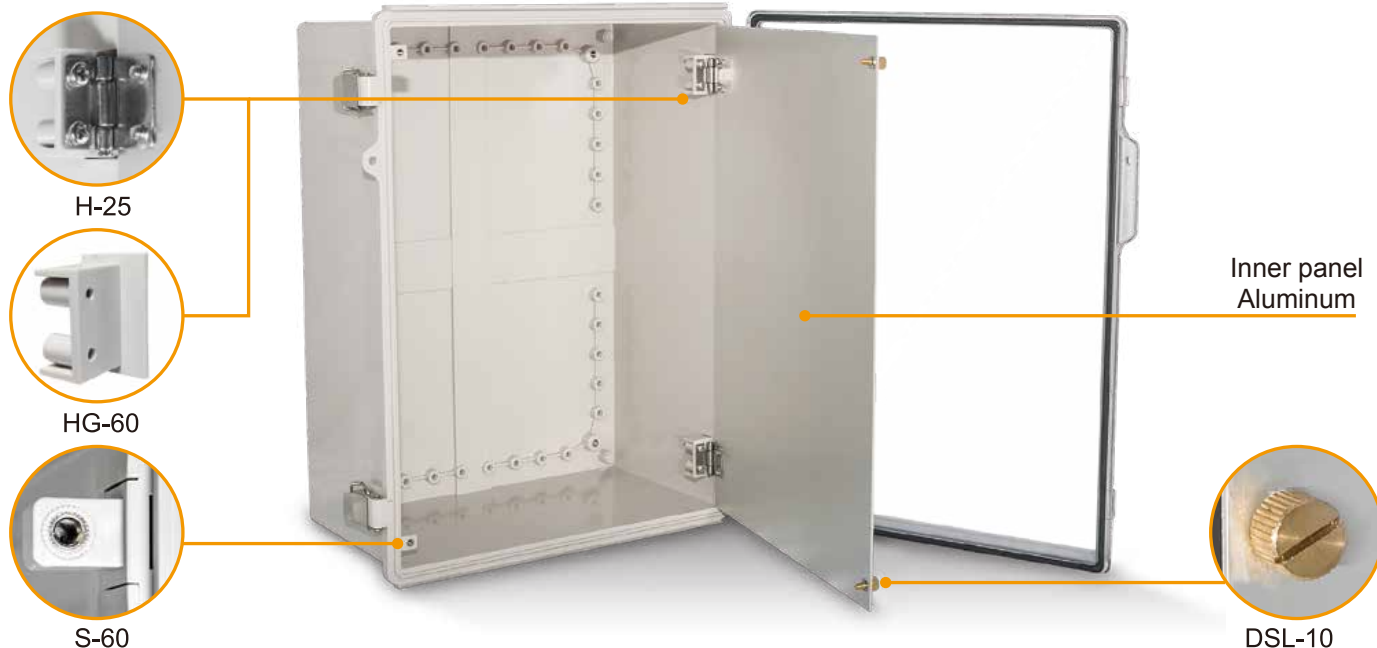


**Suitable Model / 適用型號 : EN-XX-162110 ~ 291910, EN-XX-212110 ~ 212113**

Part no.	Description	Packing
KIT-S-50	S-50 x 4 pcs + Steel screw 鐵螺絲 M4-10 x 4pcs	1
KIT-ID-50	HG-50 x 2 pcs + Tapping screw 自攻螺絲 M4-8T x 4 pcs S-50 x 2 pcs + Machine screw 細牙螺絲 M4-10 x 2 pcs	1
KIT-ID-50S	HG-50 x 2 pcs + Tapping screw 自攻螺絲 M4-8T x 4 pcs S-50 x 2 pcs + Machine screw 銅螺絲 DSL-10 x 2 pcs	1

# EN series IP68

## Inner Swing Panel



Use with EN Series Enclosures 型 號	Part No. 訂貨型號	Internal door support 內門固定架	Quantity 使用數	Hinge 活頁	Quantity 使用數	Aluminum plate 內門鋁板	Quantity 使用數	Copper screw 銅螺絲	Quantity 使用數
EN-XX-203013 EN-XX-203015 EN-XX-203018	EN-ID-2030	HG-60 S-60	2 2	H-25	2	P2030	1	DSL-10	2
EN-XX-253515 EN-XX-253518	EN-ID-2535	HG-60 S-60	2 2	H-25	2	P2535	1	DSL-10	2
EN-XX-282813	EN-ID-2828	HG-60 S-60	2 2	H-25	2	P2828	1	DSL-10	2
EN-XX-283813	EN-ID-2838	HG-60 S-60	2 2	H-25	2	P2838	1	DSL-10	2
EN-XX-303015 EN-XX-303018	EN-ID-3030	HG-60 S-60	2 2	H-25	2	P3030	1	DSL-10	2
EN-XX-304012 EN-XX-304015 EN-XX-304018	EN-ID-3040	HG-60 S-60	2 2	H-25	2	P3040	1	DSL-10	2
EN-XX-353515 EN-XX-353518	EN-ID-3535	HG-60 S-60	2 2	H-25	2	P3535	1	DSL-10	2
EN-XX-354512 EN-XX-354516 EN-XX-354520	EN-ID-3545	HG-60 S-60	2 2	H-25	2	P3545	1	DSL-10	2
EN-XX-405016 EN-XX-405020	EN-ID-4050	HG-60 S-60	3 4	H-25	3	P4050	1	DSL-10	2
EN-XX-406018 EN-XX-406023	EN-ID-4060	HG-60 S-60	3 4	H-25	3	P4060	1	DSL-10	4
EN-XX-506018 EN-XX-506025	EN-ID-5060	HG-60 S-60	3 4	H-25	3	P5060	1	DSL-10	4
EN-XX-507018 EN-XX-507025	EN-ID-5070	HG-60 S-60	3 4	H-25	3	P5070	1	DSL-10	4





### TECHNICAL INFORMATION

### 防水箱技術數據

PROPERTY / 特性	ABS	PC/ABS	Polycarbonate 聚碳酸酯(PC)
Ingress protection 防護等級 ( IEC 60529 )	IP 68	IP 68	IP 68
Impact protection 撞擊防護等級	IK 08	IK 08	IK 08 / 10
Color 標準顏色	Light gray / 淺灰 ( RAL 7035 )	Light gray / 淺灰 ( RAL 7035 )	Transparency / 無色透明
Temperature 溫度範圍	-40°C ~ + 60°C	-40°C ~ + 80°C	-40°C ~ + 80°C (up to 100°C @ 1 HR)
RTI. Elec. / Imp. / Str.	Max. + 60°C / + 60°C / + 60°C	Max. + 85°C / + 85°C / + 85°C	Max. + 125°C / +115°C / +125°C
Flammability 防火等級	UL 94-HB	UL 94 V-0, 5VB	UL 94 V-0
UV resistance 抗紫外線			UL746C ( f1 ), ΔE5.8@1000h
Salt spray 鹽霧測試(IEC 60068-2-52)			Pass (1344 HR)
Insulation 絕緣	回 完全絕緣	回 完全絕緣	回 完全絕緣
Non-toxic products 無毒產品	Halogen free 無鹵素	Halogen free 無鹵素	Halogen free 無鹵素
Gasket material 密封圈材質	Polyurethane foam / 聚氨酯	Polyurethane foam / 聚氨酯	Polyurethane foam / 聚氨酯

AG		AT		PG		PT	
Body	Cover	Body	Cover	Body	Cover	Body	Cover
ABS	ABS	ABS	PC	PC/ABS	PC/ABS	PC/ABS	PC
Gray	Gray	Gray	Transparent	Gray	Gray	Gray	Transparent



## Special features of ET series ET系列特點

1. All enclosures are conformed to IP68 of dustproof and waterproof.
  2. Plastic plates and metal plates are optional.
  3. Enclosures in different sizes apply to extensive applications, such as housing electrical equipment , junction boxes and fire control boxes in various environments.
  4. It's easy to fix enclosures with brackets of stainless 304 or driving M5 screws on four holes directly.
1. 所有開關箱均符合防水防塵的防護等級: IP68
  2. 塑膠底板及鐵底板可供選擇
  3. 開關箱包含從中型至大型的廣泛尺寸範圍為了有更廣大的應用,例如電子設備的外殼裝置、中繼盒和消防控制盒可於多種環境使用
  4. 不鏽鋼材質304的固定架可使開關箱容易固定安裝,或使用M5攻牙螺絲可直接固定於4個孔上



■ Option 選配

## ET series models

Dimensions W x H x D (Cover included)	AG		AT		PG		PT		Mounting bracket	Mounting plate	
	Body ABS	Cover ABS	Body ABS	Cover PC	Body PC+ABS	Cover PC+ABS	Body PC+ABS	Cover PC		Steel	Plastic
	Gray cover		Transparent cover		Gray cover		Transparent cover			1.6mm	> 3mm
190 x 190 x 130	ET-AG-191913		ET-AT-191913		ET-PG-191913		ET-PT-191913	B50.00	M1919	1919 PL	
190 x 280 x 130	ET-AG-192813		ET-AT-192813		ET-PG-192813		ET-PT-192813		M1928	1928 PL	
190 x 280 x 180	ET-AG-192818		ET-AT-192818		ET-PG-192818		ET-PT-192818		M1928	1928 PL	
190 x 380 x 130	ET-AG-193813		ET-AT-193813		ET-PG-193813		ET-PT-193813		M1938	1938 PL	
190 x 380 x 180	ET-AG-193818		ET-AT-193818		ET-PG-193818		ET-PT-193818		M1938	1938 PL	
280 x 280 x 130	ET-AG-282813		ET-AT-282813		ET-PG-282813		ET-PT-282813		M2828	2828 PL	
280 x 340 x 130	ET-AG-283413		ET-AT-283413		ET-PG-283413		ET-PT-283413		M2834	2834 PL	
280 x 380 x 130	ET-AG-283813		ET-AT-283813		ET-PG-283813		ET-PT-283813		M2838	2838 PL	
280 x 380 x 180	ET-AG-283818		ET-AT-283818		ET-PG-283818		ET-PT-283818		M2838	2838 PL	
280 x 560 x 130	ET-AG-285613		ET-AT-285613		ET-PG-285613		ET-PT-285613		B60.00	M2856	2828 PLx2
380 x 560 x 180	ET-AG-385618		ET-AT-385618		ET-PG-385618		ET-PT-385618	M3856		2838 PLx2	



### Cover Screw



■ CB28

### Mounting bracket



■ B60



■ B50

# Weatherproof enclosures

**+ UV Resistant**

**+ Flame Resistant**



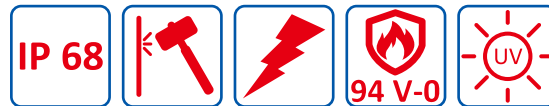
**IP68 : Immersion in 1 meter of water for 1 hour**

## TECHNICAL INFORMATION

### 防水箱技術數據

PROPERTY / 特性	Polycarbonate/聚碳酸酯 (PC)	Polycarbonate/聚碳酸酯 (PC)
Ingress protection / 防護等級( IEC 60529 )	IP 68	IP 68
Impact protection / 撞擊防護等級	IK 08 / 10	IK 08 / 10
Color / 標準顏色	Light gray / 淺灰 ( RAL 7035 )	Transparency / 無色透明
Temperature / 溫度範圍	-40°C ~ + 80°C (up to 100°C @ 1 HR)	-40°C ~ + 80°C (up to 100°C @ 1 HR)
RTI. Elec. / Imp. / Str.	Max. + 125°C / +115°C / +125°C	Max. + 125°C / +115°C / +125°C
Flammability / 防火等級	UL 94 V-0	UL 94 V-0
UV resistance / 抗紫外線	UL746C ( f1 ) , ΔE9.07@1000h	UL746C ( f1 ) , ΔE5.8@1000h
Salt spray / 鹽霧測試(IEC 60068-2-52)	Pass (1344 HR)	Pass (1344 HR)
Insulation / 絕緣	☐ 完全絕緣	☐ 完全絕緣
Non-toxic products / 無毒產品	Halogen free 無鹵素	Halogen free 無鹵素
Gasket material / 密封圈材質	Polyurethane foam / 聚氨酯	Polyurethane foam / 聚氨酯

PCG		PCT	
Body	Cover	Body	Cover
PC	PC	PC	PC
Gray	Gray	Gray	Transparent

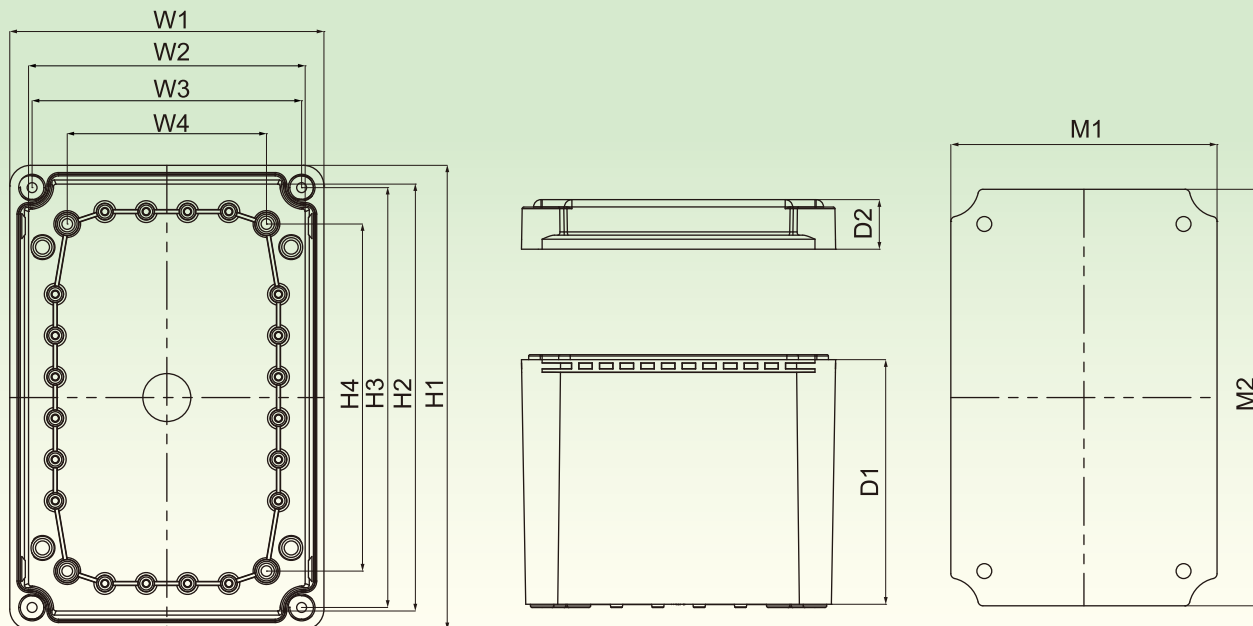


■ Option 選配

## ET series models

Dimensions W x H x D (Cover included)	PCG		PCT		Mounting bracket	Mounting plate	
	Body PC	Cover PC	Body PC	Cover PC		Steel	Plastic
	Gray cover		Transparent cover			1.6mm	> 3mm
190 x 190 x 130	ET-PCG-191913		ET-PCT-191913		B50.00	M1919	1919 PL
190 x 280 x 130	ET-PCG-192813		ET-PCT-192813			M1928	1928 PL
190 x 280 x 180	ET-PCG-192818		ET-PCT-192818			M1928	1928 PL
190 x 380 x 130	ET-PCG-193813		ET-PCT-193813			M1938	1938 PL
190 x 380 x 180	ET-PCG-193818		ET-PCT-193818			M1938	1938 PL
280 x 280 x 130	ET-PCG-282813		ET-PCT-282813			M2828	2828 PL
280 x 340 x 130	ET-PCG-283413		ET-PCT-283413			M2834	2834 PL
280 x 380 x 130	ET-PCG-283813		ET-PCT-283813			M2838	2838 PL
280 x 380 x 180	ET-PCG-283818		ET-PCT-283818			M2838	2838 PL
280 x 560 x 130	ET-PCG-285613		ET-PCT-285613			B60.00	M2856
380 x 560 x 180	ET-PCG-385618		ET-PCT-385618		M3856		2838 PL x 2

# ET series IP68

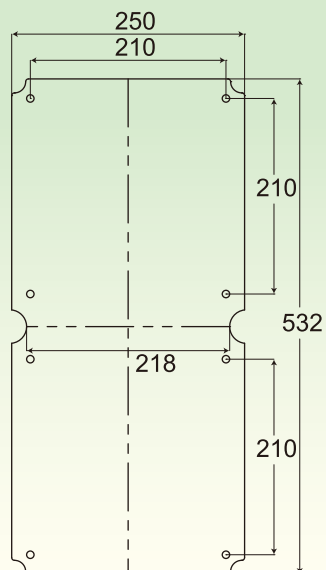


## Dimensions (mm)

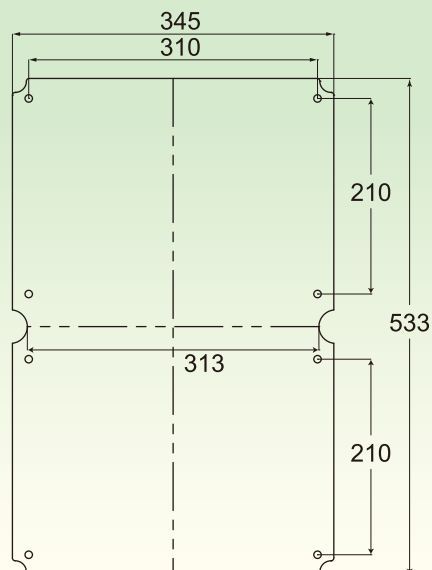
Tolerance:  $\pm 1.0\text{mm}$

Model	W x H x D	W1	W2	W3	W4	H1	H2	H3	H4	D1	D2	Steel Plate		Plastic Plate	
												M1	M2	M1	M2
ET-□□-191913	190 x 190 x 130	190	170	165	120	190	170	165	120	98	30	161	161	159	159
ET-□□-192813	190 x 280 x 130	190	167	165	120.5	281	258	256	210	98	30	161	251.5	161	252
ET-□□-192818	190 x 280 x 180	190	165.3	165	120.5	281	256.3	256	210	148	30	161	251.5	161	252
ET-□□-193813	190 x 380 x 130	190	167.5	165	120	380	357.5	355	310	100	30	161	353.5	159	348
ET-□□-193818	190 x 380 x 180	190	165.8	165	120	380	355.8	355	310	150	30	161	353.5	159	348
ET-□□-282813	280 x 280 x 130	280	257.5	255	210	280	257.5	255	210	100	30	251	251.5	249	249
ET-□□-283413	280 x 340 x 130	280	257.5	255	210	340	317.5	315	270	100	30	251.2	312.5	249	309
ET-□□-283813	280 x 380 x 130	280	256	255	210.2	380	356	355	310	98	30	252	353.3	248	347.5
ET-□□-283818	280 x 380 x 180	280	254.3	255	210.2	380	354.3	355	310	148	30	252	353.3	248	347.5
ET-□□-285613	280 x 560 x 130	280	255.5	255	210	560	535.5	535	490	100	30	250	532		
ET-□□-385618	380 x 560 x 180	380	353.8	355	310	560	533.8	535	490	150	30	345	533		

### Steel plate M2856



### Steel plate M3856





### TECHNICAL INFORMATION

### 防水箱技術數據

PROPERTY / 特性	ABS	PC/ABS	Polycarbonate 聚碳酸酯(PC)
Ingress protection 防護等級 ( IEC 60529 )	IP 68	IP 68	IP 68
Impact protection 撞擊防護等級	IK 08	IK 08	IK 08 / 10
Color 標準顏色	Light gray / 淺灰 ( RAL 7035 )	Light gray / 淺灰 ( RAL 7035 )	Transparency / 無色透明
Temperature 溫度範圍	-40°C ~ + 60°C	-40°C ~ + 80°C	-40°C ~ + 80°C (up to 100°C @ 1 HR)
RTI. Elec. / Imp. / Str.	Max. + 60°C / + 60°C / + 60°C	Max. + 85°C / + 85°C / + 85°C	Max. + 125°C / +115°C / +125°C
Flammability 防火等級	UL 94-HB	UL 94 V-0, 5VB	UL 94 V-0
UV resistance 抗紫外線			UL746C ( f1 ), ΔE6.18@1000h
Salt spray 鹽霧測試(IEC 60068-2-52)			Pass (1344 HR)
Insulation 絕緣	回 完全絕緣	回 完全絕緣	回 完全絕緣
Non-toxic products 無毒產品	Halogen free 無鹵素	Halogen free 無鹵素	Halogen free 無鹵素
Gasket material 密封圈材質	Polyurethane foam / 聚氨酯	Polyurethane foam / 聚氨酯	Polyurethane foam / 聚氨酯

AG		AT		PG		PT	
Body	Cover	Body	Cover	Body	Cover	Body	Cover
ABS	ABS	ABS	PC	PC/ABS	PC/ABS	PC/ABS	PC
Gray	Gray	Gray	Transparent	Gray	Gray	Gray	Transparent





## Special features of ES series ES系列特點

- All enclosures are conformed to IP68 of dustproof and waterproof.
  - Plastic plates and metal plates are optional.
  - Enclosures in different sizes apply to various installations, such as terminal boxes, push button boxes and various electronic and industrial devices.
  - There are many mounting supporters in the back of the boxes, which are suitable for different assembly requirements or applications.
  - There are several ways to fix the boxes, such as driving M4 screws on four holes directly, with bracket B40 of stainless 304 or PB30 of plastic.
- 所有開關箱均符合防水防塵的防護等級: IP68
  - 塑膠底板及鐵底板可供選擇
  - ES系列開關箱擁有多種尺寸由小型至中型, 可簡單應用於多方面的安裝例如端子台, 按鈕開關及其他各種電子工業設備的裝置上面
  - 開關箱裡面底部有許多固定孔適合多重應用及組合
  - 固定開關箱的方式可藉由M4攻牙螺絲直接固定於4個孔上或也可運用配件中不鏽鋼材質304的固定架B40或塑膠材質PB30

## ES series models

Option 選配

Dimensions W x H x D (Cover included)	AG		AT		PG		PT		Mounting bracket	Mounting plate	
	Body ABS	Cover ABS	Body ABS	Cover PC	Body PC+ABS	Cover PC+ABS	Body PC+ABS	Cover PC		Steel	Plastic
	Gray cover		Transparent cover		Gray cover		Transparent cover			1.6mm	> 3mm
65 x 95 x 55	ES-AG-060905		ES-AT-060905		ES-PG-060905		ES-PT-060905		M0609		
75 x 105 x 55	ES-AG-071005		ES-AT-071005		ES-PG-071005		ES-PT-071005		M0710		
80 x 80 x 60	ES-AG-080806		ES-AT-080806		ES-PG-080806		ES-PT-080806		M0808		
80 x 110 x 50	ES-AG-081105		ES-AT-081105		ES-PG-081105		ES-PT-081105		M0811		
80 x 110 x 70	ES-AG-081107		ES-AT-081107		ES-PG-081107		ES-PT-081107		M0811		
80 x 110 x 85	ES-AG-081108		ES-AT-081108		ES-PG-081108		ES-PT-081108		M0811		
80 x 130 x 70	ES-AG-081307		ES-AT-081307		ES-PG-081307		ES-PT-081307		M0813	0813 PL	
80 x 130 x 85	ES-AG-081308		ES-AT-081308		ES-PG-081308		ES-PT-081308		M0813	0813 PL	
80 x 160 x 55	ES-AG-081605		ES-AT-081605		ES-PG-081605		ES-PT-081605		M0816	0816 PL	
80 x 160 x 85	ES-AG-081608		ES-AT-081608		ES-PG-081608		ES-PT-081608		M0816	0816 PL	
80 x 180 x 70	ES-AG-081807		ES-AT-081807		ES-PG-081807		ES-PT-081807		M0818	0818 PL	
80 x 180 x 85	ES-AG-081808		ES-AT-081808		ES-PG-081808		ES-PT-081808		M0818	0818 PL	
80 x 250 x 70	ES-AG-082507		ES-AT-082507		ES-PG-082507		ES-PT-082507		M0825		
80 x 250 x 85	ES-AG-082508		ES-AT-082508		ES-PG-082508		ES-PT-082508		M0825		
100 x 100 x 75	ES-AG-101007		ES-AT-101007		ES-PG-101007		ES-PT-101007		M1010	1010 PL	
100 x 100 x 100	ES-AG-101010		ES-AT-101010		ES-PG-101010		ES-PT-101010		M1010	1010 PL	
100 x 185 x 70	ES-AG-101807		ES-AT-101807		ES-PG-101807		ES-PT-101807		M1018	1018 PL	
100 x 200 x 70	ES-AG-102007		ES-AT-102007		ES-PG-102007		ES-PT-102007		M1020	1020 PL	
100 x 230 x 70	ES-AG-102307		ES-AT-102307		ES-PG-102307		ES-PT-102307		M1023		
125 x 125 x 75	ES-AG-121207		ES-AT-121207		ES-PG-121207		ES-PT-121207		M1212	1212 PL	
125 x 125 x 100	ES-AG-121210		ES-AT-121210		ES-PG-121210		ES-PT-121210		M1212	1212 PL	
140 x 170 x 95	ES-AG-141709		ES-AT-141709		ES-PG-141709		ES-PT-141709		M1417	1417 PL	
140 x 230 x 95	ES-AG-142309		ES-AT-142309		ES-PG-142309		ES-PT-142309		M1423	1423 PL	
150 x 150 x 75	ES-AG-151507		ES-AT-151507		ES-PG-151507		ES-PT-151507		M1515	1515 PL	
150 x 150 x 100	ES-AG-151510		ES-AT-151510		ES-PG-151510		ES-PT-151510		M1515	1515 PL	
150 x 200 x 75	ES-AG-152007		ES-AT-152007		ES-PG-152007		ES-PT-152007		M1520	1520 PL	
150 x 200 x 100	ES-AG-152010		ES-AT-152010		ES-PG-152010		ES-PT-152010		M1520	1520 PL	
150 x 200 x 130	ES-AG-152013		ES-AT-152013		ES-PG-152013		ES-PT-152013		M1520	1520 PL	
150 x 200 x 160	ES-AG-152016		ES-AT-152016		ES-PG-152016		ES-PT-152016		M1520	1520 PL	
150 x 250 x 100	ES-AG-152510		ES-AT-152510		ES-PG-152510		ES-PT-152510		M1525	1525 PL	
150 x 250 x 130	ES-AG-152513		ES-AT-152513		ES-PG-152513		ES-PT-152513		M1525	1525 PL	
160 x 160 x 70	ES-AG-161607		ES-AT-161607		ES-PG-161607		ES-PT-161607		M1616	1616 PL	
200 x 200 x 100	ES-AG-202010		ES-AT-202010		ES-PG-202010		ES-PT-202010		M2121	2020 PL	
200 x 200 x 130	ES-AG-202013		ES-AT-202013		ES-PG-202013		ES-PT-202013		M2121	2020 PL	
200 x 200 x 160	ES-AG-202016		ES-AT-202016		ES-PG-202016		ES-PT-202016		M2121	2020 PL	

### Mounting bracket



■ B40.01



■ PB30.01

### Cover Screw



■ CB20



■ CB35



■ CB50

**Weatherproof boxes**  
**+ UV Resistant**  
**+ Flame Resistant**



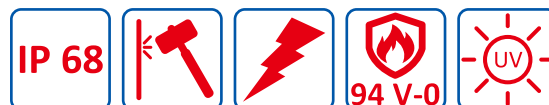
**IP68 : Immersion in  
 1 meter of water for 1 hour**



## TECHNICAL INFORMATION 防水箱技術數據

PROPERTY / 特性	Polycarbonate/聚碳酸酯 (PC)	Polycarbonate/聚碳酸酯 (PC)
Ingress protection / 防護等級( IEC 60529 )	IP 68	IP 68
Impact protection / 撞擊防護等級	IK 08 / 10	IK 08 / 10
Color / 標準顏色	Light gray / 淺灰 ( RAL 7035 )	Transparency / 無色透明
Temperature / 溫度範圍	-40°C ~ + 80°C (up to 100°C @ 1 HR)	-40°C ~ + 80°C (up to 100°C @ 1 HR)
RTI. Elec. / Imp. / Str.	Max. + 125°C / +115°C / +125°C	Max. + 125°C / +115°C / +125°C
Flammability / 防火等級	UL 94 V-0	UL 94 V-0
UV resistance / 抗紫外線	UL746C ( f1 ), ΔE9.07@1000h	UL746C ( f1 ), ΔE6.18@1000h
Salt spray / 鹽霧測試(IEC 60068-2-52)	Pass (1344 HR)	Pass (1344 HR)
Insulation / 絕緣	回 完全絕緣	回 完全絕緣
Non-toxic products / 無毒產品	Halogen free 無鹵素	Halogen free 無鹵素
Gasket material / 密封圈材質	Polyurethane foam / 聚氨酯	Polyurethane foam / 聚氨酯

PCG		PCT	
Body	Cover	Body	Cover
PC	PC	PC	PC
Gray	Gray	Gray	Transparent

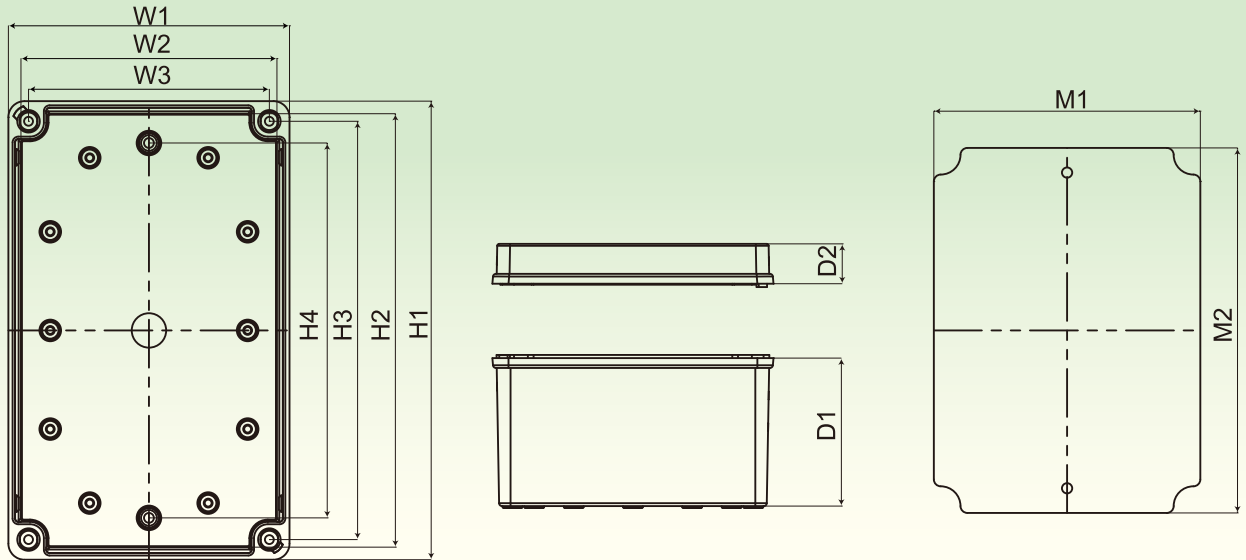


## ES series models

Option 選配

Dimensions W x H x D (Cover included)	PCG		PCT		Mounting bracket	Mounting plate	
	Body PC	Cover PC	Body PC	Cover PC		Steel	Plastic
	Gray cover		Transparent cover			1.6mm	> 3mm
65 x 95 x 55	ES-PCG-060905		ES-PCT-060905		B40.01 / PB30.01	M0609	
75 x 105 x 55	ES-PCG-071005		ES-PCT-071005			M0710	
80 x 80 x 60	ES-PCG-080806		ES-PCT-080806			M0808	
80 x 110 x 50	ES-PCG-081105		ES-PCT-081105			M0811	
80 x 110 x 70	ES-PCG-081107		ES-PCT-081107			M0811	
80 x 110 x 85	ES-PCG-081108		ES-PCT-081108			M0811	
80 x 130 x 70	ES-PCG-081307		ES-PCT-081307			M0813	0813 PL
80 x 130 x 85	ES-PCG-081308		ES-PCT-081308			M0813	0813 PL
80 x 160 x 55	ES-PCG-081605		ES-PCT-081605			M0816	0816 PL
80 x 160 x 85	ES-PCG-081608		ES-PCT-081608			M0816	0816 PL
80 x 180 x 70	ES-PCG-081807		ES-PCT-081807			M0818	0818 PL
80 x 180 x 85	ES-PCG-081808		ES-PCT-081808			M0818	0818 PL
80 x 250 x 70	ES-PCG-082507		ES-PCT-082507			M0825	
80 x 250 x 85	ES-PCG-082508		ES-PCT-082508			M0825	
100 x 100 x 75	ES-PCG-101007		ES-PCT-101007			M1010	1010 PL
100 x 100 x 100	ES-PCG-101010		ES-PCT-101010			M1010	1010 PL
100 x 185 x 70	ES-PCG-101807		ES-PCT-101807			M1018	1018 PL
100 x 200 x 70	ES-PCG-102007		ES-PCT-102007			M1020	1020 PL
100 x 230 x 70	ES-PCG-102307		ES-PCT-102307			M1023	
125 x 125 x 75	ES-PCG-121207		ES-PCT-121207			M1212	1212 PL
125 x 125 x 100	ES-PCG-121210		ES-PCT-121210			M1212	1212 PL
125 x 175 x 75	ES-PCG-121707		ES-PCT-121707			M1217	1217 PL
125 x 175 x 100	ES-PCG-121710		ES-PCT-121710			M1217	1217 PL
140 x 170 x 95	ES-PCG-141709		ES-PCT-141709			M1417	1417 PL
140 x 230 x 95	ES-PCG-142309		ES-PCT-142309			M1423	1423 PL
150 x 150 x 75	ES-PCG-151507		ES-PCT-151507			M1515	1515 PL
150 x 150 x 100	ES-PCG-151510		ES-PCT-151510			M1515	1515 PL
150 x 200 x 75	ES-PCG-152007		ES-PCT-152007			M1520	1520 PL
150 x 200 x 100	ES-PCG-152010		ES-PCT-152010			M1520	1520 PL
150 x 200 x 130	ES-PCG-152013		ES-PCT-152013			M1520	1520 PL
150 x 200 x 160	ES-PCG-152016		ES-PCT-152016			M1520	1520 PL
150 x 250 x 100	ES-PCG-152510		ES-PCT-152510			M1525	1525 PL
150 x 250 x 130	ES-PCG-152513		ES-PCT-152513			M1525	1525 PL
160 x 160 x 70	ES-PCG-161607		ES-PCT-161607			M1616	1616 PL
170 x 250 x 75	ES-PCG-172507		ES-PCT-172507			M1725	1725 PL
170 x 250 x 100	ES-PCG-172510		ES-PCT-172510			M1725	1725 PL
200 x 200 x 100	ES-PCG-202010		ES-PCT-202010			M2121	2020 PL
200 x 200 x 130	ES-PCG-202013		ES-PCT-202013			M2121	2020 PL
200 x 200 x 160	ES-PCG-202016		ES-PCT-202016			M2121	2020 PL

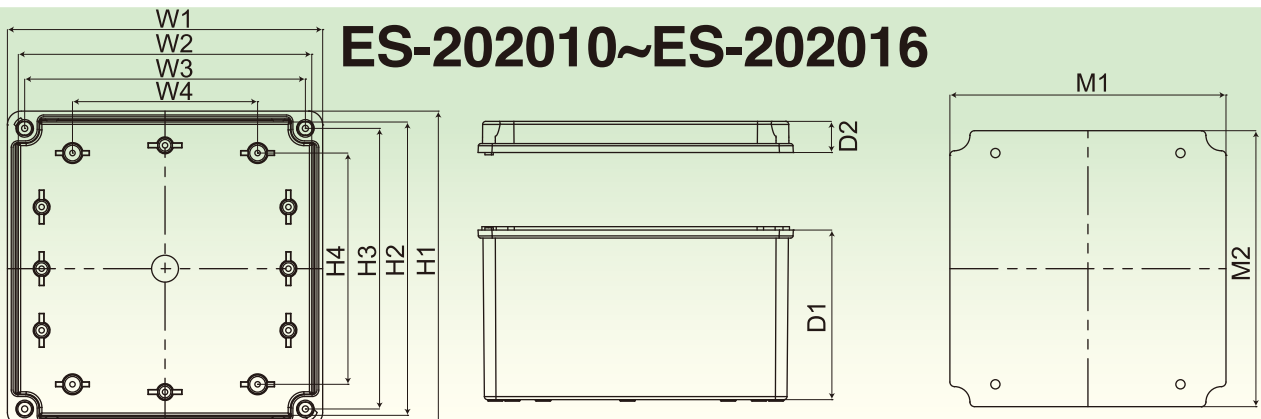
# ES series IP68



Dimensions (mm)

Tolerance: ±1.0mm

Model	W x H x D	W1	W2	W3	W4	H1	H2	H3	H4	D1	D2	Steel Plate		Plastic Plate	
												M1	M2	M1	M2
ES-□□-060905	65 x 95 x 55	67.5	57.5	47		97.5	87.5	77	65	40	15.2	54	84		
ES-□□-071005	75 x 105 x 55	77.5	67.5	57		107.5	97.5	87	75	40	15.2	66	93		
ES-□□-080806	80 x 80 x 60	82.5	72.3	62		82.5	72.3	62	50	45	15.2	68	68		
ES-□□-081105	80 x 110 x 50	80.3	70.4	62		110.7	100.8	92	80	30	20	68.5	98.5		
ES-□□-081107	80 x 110 x 70	80.2	67.7	62		110.7	99.9	92	80	50	20	68.5	98.5		
ES-□□-081108	80 x 110 x 85	80.2	67.7	62		110.7	99.9	92	80	50	35	68.5	98.5		
ES-□□-081307	80 x 130 x 70	80.3	67.8	62.8		130.5	119.5	113	99.7	50	20	65	116	68.5	119
ES-□□-081308	80 x 130 x 85	80.3	67.8	62.8		130.5	119.5	113	99.7	50	35	65	116	68.5	119
ES-□□-081605	80 x 160 x 55	84.4	73.9	68		164.2	153.7	148	137	40	15.2	64.9	150.2	68.5	149
ES-□□-081608	80 x 160 x 85	84.4	72.9	68		164.2	152.7	148	137	70	15.2	64.9	150.2	68.5	149
ES-□□-081807	80 x 180 x 70	80.3	70.2	62		180	169.9	161.7	148	50	20	65.8	165.8	68.5	169
ES-□□-081808	80 x 180 x 85	80.3	70.2	62		180	169.9	161.7	148	50	35	65.8	165.8	68.5	169
ES-□□-082507	80 x 250 x 70	80	69.7	62		250	239.7	232	218	50	20.2	65	234.5		
ES-□□-082508	80 x 250 x 85	80	69.7	62		250	239.7	232	218	50	35	65	234.5		
ES-□□-101007	100 x 100 x 75	102.5	92.4	82		102.5	92.4	82	60	55	20	81.7	81.3	86	86
ES-□□-101010	100 x 100 x 100	102.5	91.5	82		102.5	91.5	82	60	80	20	81.7	81.3	86	86
ES-□□-101807	100 x 185 x 70	100	91.9	82		185	176.9	167	138	54	16	79.5	164	80	164
ES-□□-102007	100 x 200 x 70	102.5	92	82		202.5	192	182	158	55	15.2	80	183	80	183
ES-□□-102307	100 x 230 x 70	100	89.2	82		230	219.2	212	184	54	15.4	80	210		
ES-□□-121207	125 x 125 x 75	125.2	113.7	105		125.2	113.7	105	70	55	20.3	101.7	101.4	107	107
ES-□□-121210	125 x 125 x 100	125.2	112.3	105		125.2	112.3	105	70	80	20.3	101.7	101.4	107	107
ES-□□-141709	140 x 170 x 95	143	131.1	122		173	161.1	152	131.3	75	20.2	125.5	155.5	125.5	155.5
ES-□□-142309	140 x 230 x 95	142.4	129.7	122		232.4	219.7	212	190	75	20	121.8	212.7	122	213
ES-□□-151507	150 x 150 x 75	154.4	141.2	132		154.4	141.2	132	110	55	20.2	124.9	124.2	123	123
ES-□□-151510	150 x 150 x 100	154.4	140.8	132		154.4	140.8	132	110	80	20.2	124.9	124.2	123	123
ES-□□-152007	150 x 200 x 75	154.4	141.2	132		204.4	191.2	182	160	55	20.2	136	183	135	185
ES-□□-152010	150 x 200 x 100	154.4	140.8	132		204.4	190.8	182	160	80	20.2	136	183	135	185
ES-□□-152013	150 x 200 x 130	154.4	140.3	132		204.4	190.3	182	160	110	20.2	136	183	135	185
ES-□□-152016	150 x 200 x 160	154.4	140.3	132		204.4	190.3	182	160	110	50.2	136	183	135	185
ES-□□-152510	150 x 250 x 100	150	139.8	131.9		250	239.8	231.9	208	80	20	134	234	135	235
ES-□□-152513	150 x 250 x 130	150	139.8	131.9		250	239.8	231.9	208	80	50	134	234	135	235
ES-□□-161607	160 x 160 x 70	162.5	152	142		162.5	152	142	120	55	15.2	145	145	144	144
ES-□□-202010	200 x 200 x 100	204.4	190.8	182	120	204.4	190.8	182	150	80	20.2	179	179	179	179
ES-□□-202013	200 x 200 x 130	204.4	190.3	182	120	204.4	190.3	182	150	110	20.2	179	179	179	179
ES-□□-202016	200 x 200 x 160	204.4	190.3	182	120	204.4	190.3	182	150	110	50.2	179	179	179	179



## Special features of ES series with knockouts ES knockouts系列特點

1. All enclosures are conformed to IP68 of dustproof and waterproof.
  2. Plastic plates and metal plates are optional.
  3. Enclosures in different sizes apply to various installations, such as terminal boxes, push button boxes and various electronic and industrial devices.
  4. There are many mounting supporters in the back of the boxes, which are suitable for different assembly requirements or applications.
  5. There are several ways to fix the boxes, such as driving M4 screws on four holes directly, with bracket B40 of stainless 304 or PB30 of plastic.
1. 所有開關箱均符合防水防塵的防護等級: IP68
  2. 塑膠底板及鐵底板可供選擇
  3. 開關箱4面皆設有預留孔以便快速的簡易操作
  4. 開關箱裡面底部有許多固定孔適合多重應用及組合
  5. 固定開關箱的方式可藉由M4攻牙螺絲直接固定於4個孔上或也可運用配件中不鏽鋼材質304的固定架B40或塑膠材質PB30

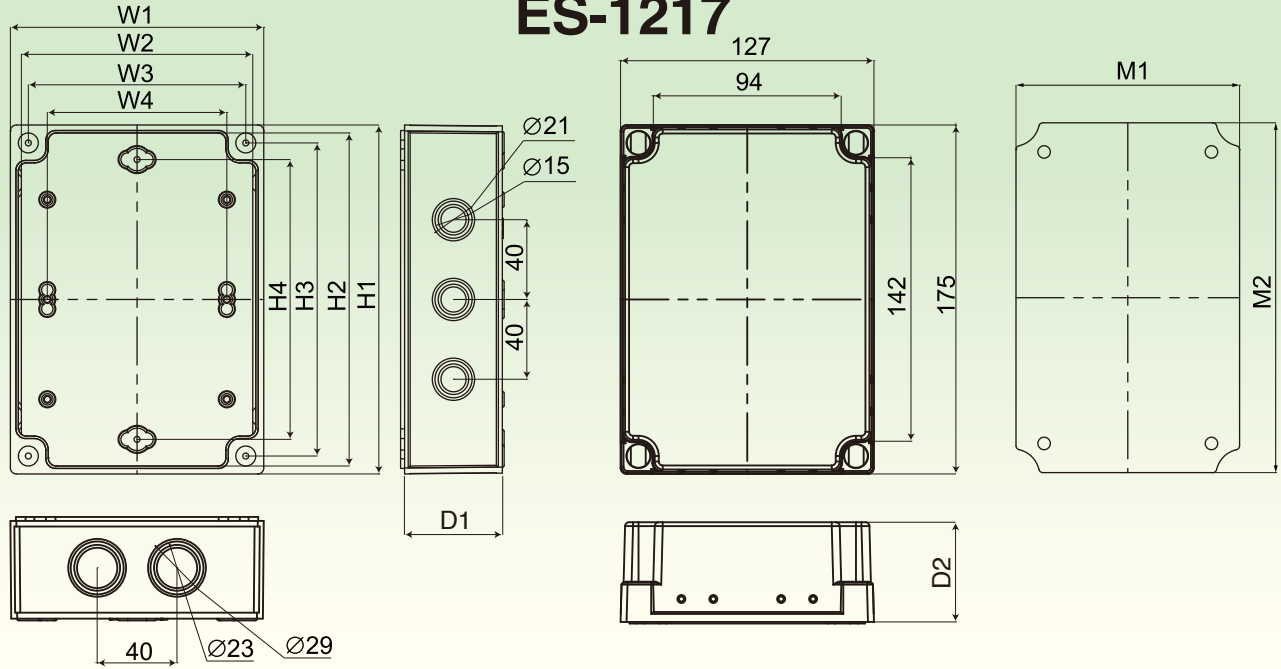


## ES series models Option 選配

Dimensions W x H x D (Cover included)	AG		AT		PG		PT		Mounting bracket	Mounting plate	
	Body ABS	Cover ABS	Body ABS	Cover PC	Body PC+ABS	Cover PC+ABS	Body PC+ABS	Cover PC		Steel	Plastic
	Gray cover		Transparent cover		Gray cover		Transparent cover			1.6mm	> 3mm
125 x 175 x 75	ES-AG-121707O		ES-AT-121707O		ES-PG-121707O		ES-PT-121707O		B40.01 / PB30.01	M1217	1217 PL
125 x 175 x 75	ES-AG-121707		ES-AT-121707		ES-PG-121707		ES-PT-121707	M1217		1217 PL	
125 x 175 x 100	ES-AG-121710O		ES-AT-121710O		ES-PG-121710O		ES-PT-121710O	M1217		1217 PL	
125 x 175 x 100	ES-AG-121710		ES-AT-121710		ES-PG-121710		ES-PT-121710	M1217		1217 PL	
175 x 250 x 75	ES-AG-172507O		ES-AT-172507O		ES-PG-172507O		ES-PT-172507O	M1725		1725 PL	
175 x 250 x 75	ES-AG-172507		ES-AT-172507		ES-PG-172507		ES-PT-172507	M1725		1725 PL	
175 x 250 x 100	ES-AG-172510O		ES-AT-172510O		ES-PG-172510O		ES-PT-172510O	M1725		1725 PL	
175 x 250 x 100	ES-AG-172510		ES-AT-172510		ES-PG-172510		ES-PT-172510	M1725		1725 PL	



## ES-1217

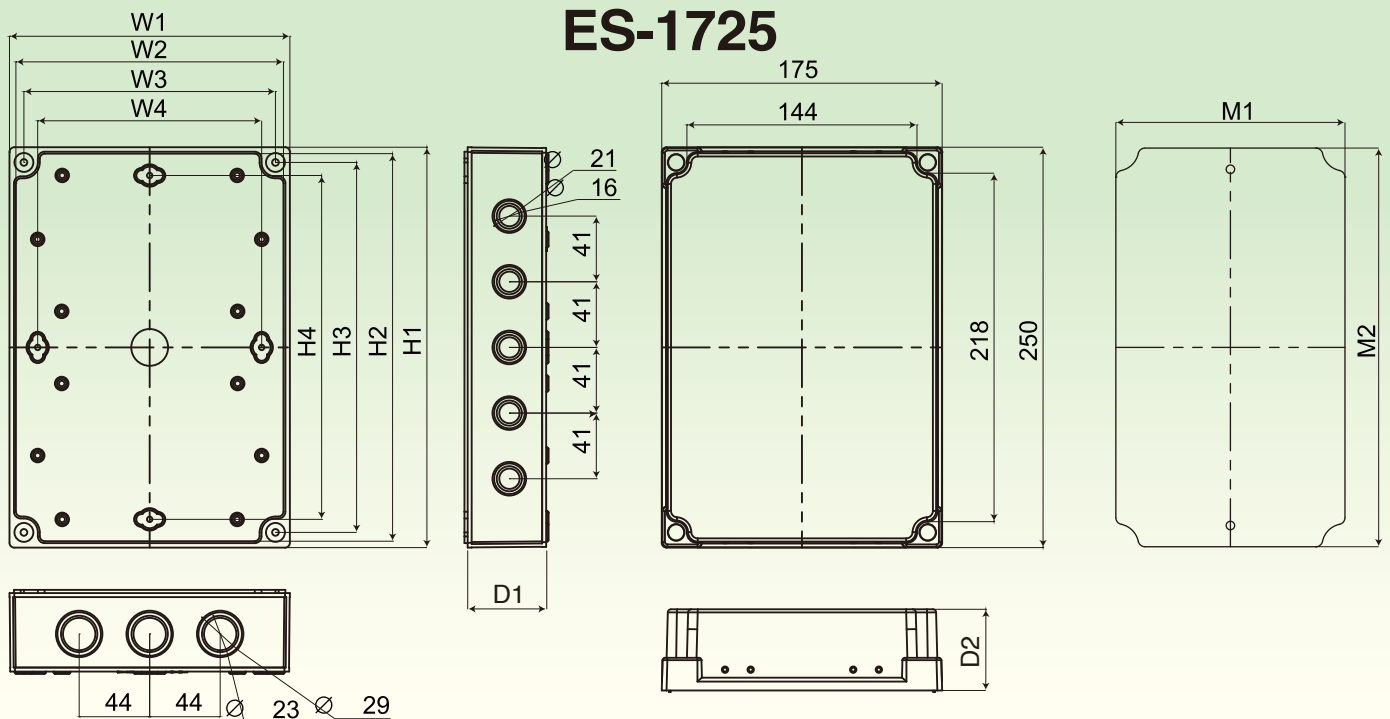


### Dimensions (mm)

Tolerance: ±1.0mm

Model	W x H x D	W1	W2	W3	W4	H1	H2	H3	H4	D1	D2	Steel Plate		Plastic Plate	
												M1	M2	M1	M2
ES-□□-121707O	125 x 175 x 75	127	116	109	90	175	167	157	140.3	49	25	100.9	157.6	109	159
ES-□□-121707	125 x 175 x 75	127	116	109	90	175	167	157	140.3	49	25	100.9	157.6	109	159
ES-□□-121710O	125 x 175 x 100	127	116	109	90	175	167	157	140.3	49	50	100.9	157.6	109	159
ES-□□-121710	125 x 175 x 100	127	116	109	90	175	167	157	140.3	49	50	100.9	157.6	109	159

## ES-1725



### Dimensions (mm)

Tolerance: ±1.0mm

Model	W x H x D	W1	W2	W3	W4	H1	H2	H3	H4	D1	D2	Steel Plate		Plastic Plate	
												M1	M2	M1	M2
ES-□□-172507O	175 x 250 x 75	175	167	157	139.8	250	242	231	214.7	49	25.4	160	235	158	232
ES-□□-172507	175 x 250 x 75	175	167	157	139.8	250	242	231	214.7	49	25.4	160	235	158	232
ES-□□-172510O	175 x 250 x 100	175	167	157	139.8	250	242	231	214.7	49	50.7	160	235	158	232
ES-□□-172510	175 x 250 x 100	175	167	157	139.8	250	242	231	214.7	49	50.7	160	235	158	232

PROPERTY / 特性	ABS	Polycarbonate/聚碳酸酯 (PC)
Ingress protection / 防護等級( IEC 60529 )	IP 68	IP 68
Impact protection / 撞擊防護等級	IK 08	IK 08 / 10
Color / 標準顏色	Light gray / 淺灰 ( RAL 7035 )	Light gray / 淺灰 ( RAL 7035 )
Temperature / 溫度範圍	-40°C ~ + 60°C	-40°C ~ + 80°C (up to 100°C @ 1 HR)
RTI. Elec. / Imp. / Str.	Max. + 60°C / + 60°C / + 60°C	Max. + 125°C / +115°C / +125°C
Flammability / 防火等級	UL 94-HB	UL 94 V-0
UV resistance / 抗紫外線		UL746C ( f1 ) , ΔE9.07@1000h
Salt spray / 鹽霧測試(IEC 60068-2-52)		Pass (1344 HR)
Insulation / 絕緣	回 完全絕緣	回 完全絕緣
Non-toxic products / 無毒產品	Halogen free 無鹵素	Halogen free 無鹵素
Gasket material / 密封圈材質	Polyurethane foam / 聚氨酯	Polyurethane foam / 聚氨酯




### PB series models

Option 選配

	Material Model	Holes Ø22	Dimensions W x H x D (Cover included)	Cable entry	Mounting bracket
	<b>ABS</b> ES-AG-080806-PB-221-H20	1	80 x 80 x 60	Ø20 x1	B40.01 / PB30.01
	<b>PC</b> ES-PCG-080806-PB-221-H20				
	<b>ABS</b> ES-AG-081307-PB-222-H20 ES-AG-081308-PB-223-H20	2	80 x 130 x 70 80 x 130 x 85	Ø20 x1	
	<b>PC</b> ES-PCG-081307-PB-222-H20 ES-PCG-081308-PB-223-H20				

## PB series models

Option 選配

	Material Model	Holes Ø22	Dimensions W x H x D (Cover included)	Cable entry	Mounting bracket
	<b>ABS</b> ES-AG-081807-PB-223-H20 ES-AG-081808-PB-223-H20  <b>PC</b> ES-PCG-081807-PB-223-H20 ES-PCG-081808-PB-223-H20	3	80 x 180 x 70 80 x 180 x 85	Ø20 x1	B40.01 / PB30.01
	<b>ABS</b> ES-AG-082507-PB-224-H20 ES-AG-082508-PB-224-H20  <b>PC</b> ES-PCG-082507-PB-224-H20 ES-PCG-082508-PB-224-H20	4	80 x 250 x 70 80 x 250 x 85	Ø20 x1	
	<b>ABS</b> ES-AG-082507-PB-225-H20 ES-AG-082508-PB-225-H20  <b>PC</b> ES-PCG-082507-PB-225-H20 ES-PCG-082508-PB-225-H20	5	80 x 250 x 70 80 x 250 x 85	Ø20 x1	

# Caution



Driving the cover screws  
鎖盒蓋螺絲注意事項

Do not drive the cover screws with the torque over 15 kgf·cm  
請勿使用15 kgf·cm以上的扭力鎖盒蓋螺絲

Mounting holes  
ES series : M4  
ET series : M5



Foolproof  
防呆



Cleaning with water only  
僅能使用水清潔



Front / 正面



Rear / 背面



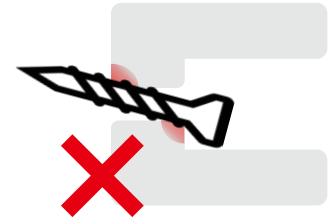
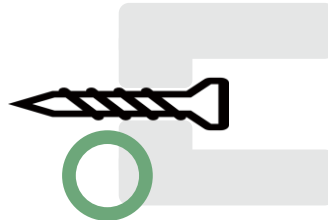
Foolproof  
防呆



Wall mounting  
固定盒體注意事項



1. No Tapping  
嚴禁在箱體的  
固定孔上攻牙



2. Make sure screws go straight through  
the mounting holes  
確保螺絲直直地穿過箱體固定孔，避免應力產生

# ACCESSORIES

Mounting bracket for 固定架適用於	Part No. 型號	Description 描述	Packing 包裝數量/包
EN-101507 ~ 172711, EN-212110 ~ 212113	B40.00	B40 x 4 pcs + Screw MT4-10T x 4 pcs B40 x 4 pcs + 螺絲 MT4-10T x 4 pcs	1
	PB30.00	PB30 x 4 pcs + Screw MT4-10T x 4 pcs PB30 x 4 pcs + 螺絲 MT4-10T x 4 pcs	1
EN-192810 ~ 353518	B50.00	B50 x 4 pcs + Screw M5-10 x 4 pcs B50 x 4 pcs + 螺絲 M5-10 x 4 pcs	1
EN-354512 ~ 406023	B60.00	B60 x 4 pcs + Screw M5-10 x 4 pcs B60 x 4 pcs + 螺絲 M5-10 x 4 pcs	1
EN-506018 ~ 507025	B60.01	B60 x 6 pcs + Screw M5-10 x 6 pcs B60 x 6 pcs + 螺絲 M5-10 x 6 pcs	1
ES Series	B40.01	B40 x 4 pcs + Screw MT5-10T x 4 pcs B40 x 4 pcs + 螺絲 MT5-10T x 4 pcs	1
	PB30.01	PB30 x 4 pcs + Screw MT5-10T x 4 pcs PB30 x 4 pcs + 螺絲 MT5-10T x 4 pcs	1



■ B40



■ B50 / B60



■ B40



■ PB30



■ CB20



■ CB35



■ CB50



■ CB28

## Cover screw

Part No.	Description	Packing
CB20	For the 20 mm-height covers in ES series	4
CB35	For the 35 mm-height covers in ES series	4
CB50	For the 35 mm-height covers in ES series	4
CB28	For the covers ET-1919 ~ ET-2838	4
	For the covers ET-2856 ~ ET-3856	6

## Din-rail screw

Part No.	Description	Packing
MT4-10T	For ES series , EN-1015 ~ 1928, EN-2121	20 PCS
MT5-10T	For EN-2030 ~ 5070, ET-1919 ~ 3856	20 PCS







## TECHNICAL INFORMATION

### 防水防塵保護等級

#### PROPERTY

Ingress protection / 防護等級

Total insulation / 絕緣

Standard color / 標準顏色

Material / 塑料盒材質

Temperature range / 溫度範圍

Flammability / 防火等級

Standard gasket material / 密封圈材質

No toxic products / 無毒產品

#### RATING

IP 66 (IEC 60529)

回 完全絕緣

Light gray (RAL 7035)

ABS

-20°C ~ +70°C

UL 94 V-0

Polyurethane foam / 聚氨酯

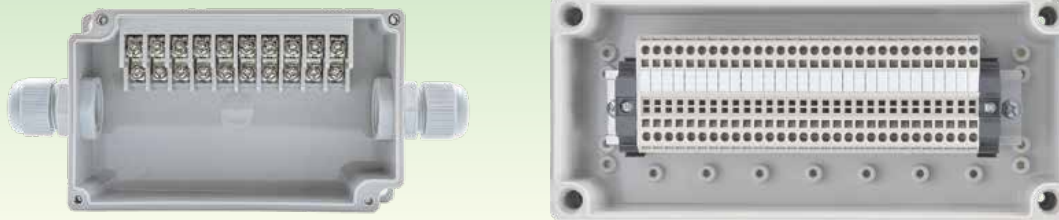
Halogen free 無鹵素

Part No.	Dimensions	Packing
AS15	100 x 100 x 60	102
AS25	150 x 110 x 70	50
AS35	190 x 140 x 70	32

## Terminal Block Box

---





### AG / PG TYPE

PROPERTY / 特性	ABS	PC/ABS
Ingress protection / 防護等級( IEC60529 )	IP 68	IP 68
Impact protection / 撞擊防護等級	IK 08	IK 08
Standard color / 標準顏色	Light gray / 淺灰 ( RAL 7035 )	Light gray / 淺灰 ( RAL 7035 )
Temperature range / 溫度範圍	-40°C ~ + 60°C	-40°C ~ + 80°C
RTI. Elec. / Imp. / Str.	Max. + 60°C / + 60°C / + 60°C	Max. + 85°C / + 85°C / + 85°C
Flammability / 防火等級	UL 94-HB	UL 94 V-0, 5VB
Insulation / 絕緣	☐ 完全絕緣	☐ 完全絕緣
No toxic products / 無毒產品	Halogen free 無鹵素	Halogen free 無鹵素
Standard gasket material / 密封圈材質	Polyurethane foam / 聚氨酯	Polyurethane foam / 聚氨酯

### TB series models

Option 選配

Number of Positions	AG		AG		PG		With Cable Gland	Mounting bracket
	Body & Cover ABS	Terminal Block PC / ABS	Body & Cover ABS	Terminal Block PA66	Body & Cover PC / ABS	Terminal Block PC / ABS		
	Gray (RAL 7035)		Gray (RAL 7035)		Gray (RAL 7035)			
4					TB-PG-4PH			—
4					TB-PG-4PH09	PG9 x2		
4					TB-PG-4PT			
4					TB-PG-4P			
6					TB-PG-6PH			
6					TB-PG-6PH09	PG9 x2		
6					TB-PG-6PT			
6					TB-PG-6P			
10					TB-PG-10P			
10					TB-PG-10P11	PG11 x2		
15	TB-AG-15PT				*TB-PG-15PT			B40.01 / PB30.01
15	TB-AG-15P				*TB-PG-15P			
20	TB-AG-20PT				*TB-PG-20PT			
20	TB-AG-20PA				*TB-PG-20PA			
20	TB-AG-20P				*TB-PG-20P			
20	TB-AG-20PTS				*TB-PG-20PTS			
Up to 43P			Customization					

\*Non-Standard Product / 非標準品

# Terminal Block Box IP68

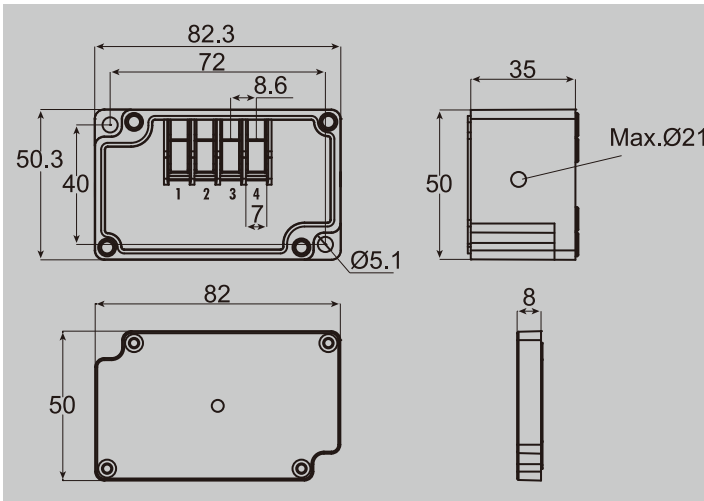


**IP68 : Immersion in 1 meter of water for 1 hour**

## TB-PG-4PH



### Dimensions (Tolerance ±1mm)



### Feature:

1. Fixed marks in the center of both narrow sides for drilling holes easily
  2. The maximum diameter of hole is 21mm
- 接線盒較窄邊的兩側位於中心點位置標有記號以便於鑽孔,孔的最大尺寸為21毫米

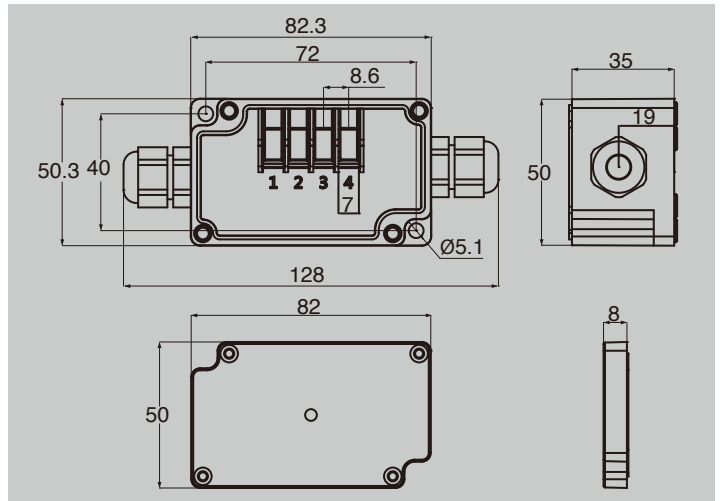
### Property

Size	Product model
W x L x H (Cover included)	PC / ABS
	Gray
50 x 82 x 43	TB-PG-4PH

## TB-PG-4PH09



### Dimensions (Tolerance ±1mm)



### Feature:

1. A cable gland of PG9 installed on each narrow side of standard model
  2. Customized installing cable glands of PG7, PG11 or PG13.5
1. 標準品的兩個窄面各有一個PG9電纜固定頭  
2. 可接受訂製安裝電纜固定頭PG7、PG11或PG13.5

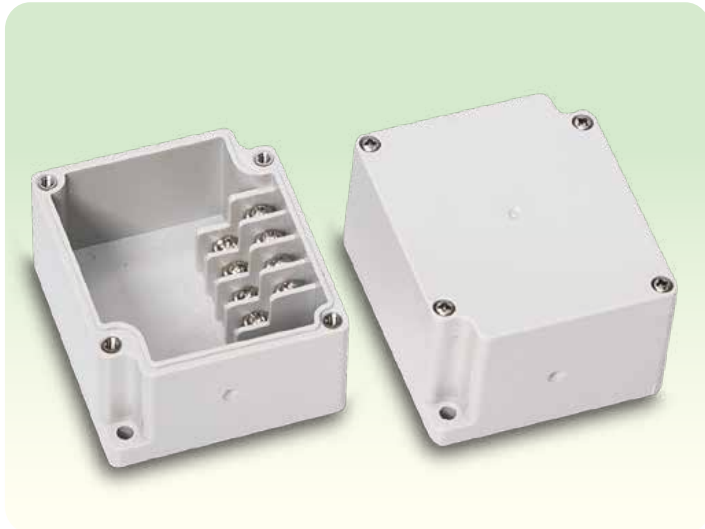
### Property

Size	Product model
W x L x H (Cover included)	PC / ABS
	Gray
50 x 128 x 43	TB-PG-4PH09

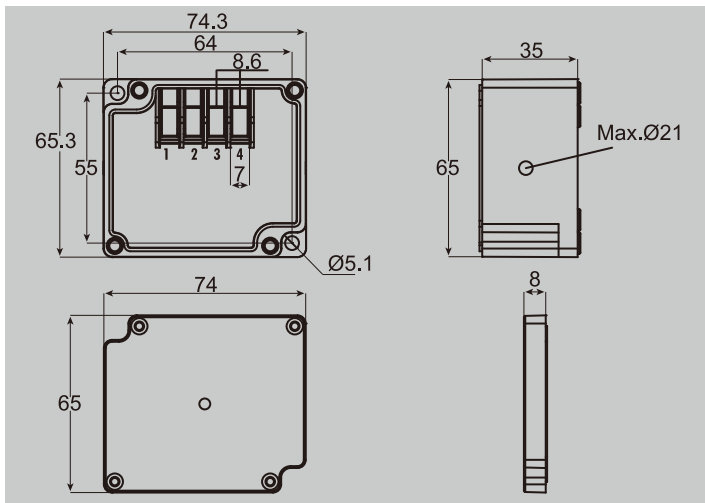
Rated voltage	AC 400V
Rated current	15A
Applicable wire	0.75mm <sup>2</sup> ~ 1.5mm <sup>2</sup>
Operating temperature	-40 ~ +80 °C
Flammability	UL94-5VB
Ingress Protection	IP68
Impact Protection	IK08

# Terminal Block Box IP68

## TB-PG-4PT



### Dimensions (Tolerance ±1mm)



### Feature:

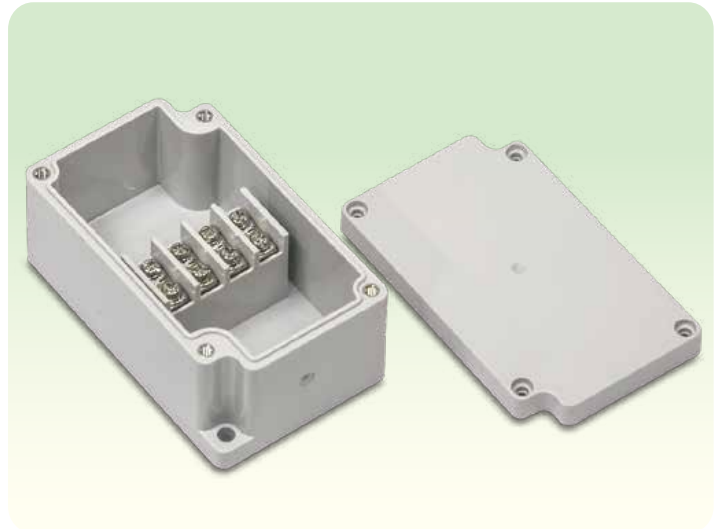
1. Fixed marks in the center of both narrow sides for drilling holes easily
  2. The maximum diameter of hole is 21mm
- 接線盒較窄邊的兩側位於中心點位置標有記號以便於鑽孔,孔的最大尺寸為21毫米

### Property

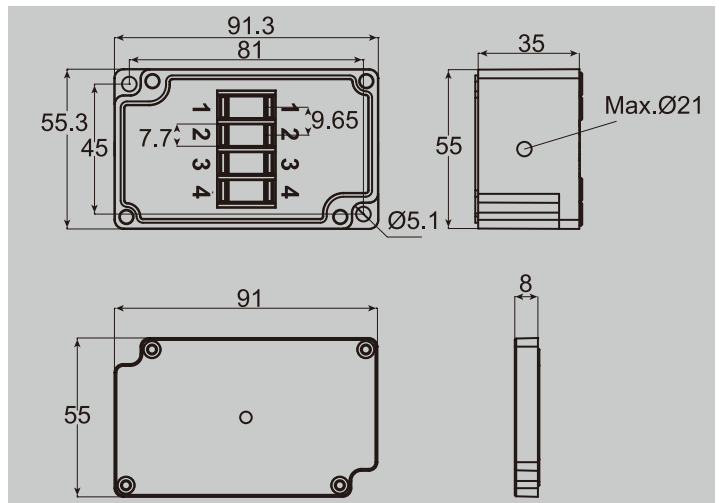
Size	Product model
W x L x H (Cover included)	PC / ABS
	Gray
65 x 74 x 43	TB-PG-4PT
Rated voltage	AC 400V
Rated current	15A
Applicable wire	0.75mm <sup>2</sup> ~ 1.5mm <sup>2</sup>
Operating temperature	-40 ~ +80 °C
Flammability	UL94-5VB
Ingress Protection	IP68
Impact Protection	IK08

IP68 : Immersion in 1 meter of water for 1 hour

## TB-PG-4P



### Dimensions (Tolerance ±1mm)



### Feature:

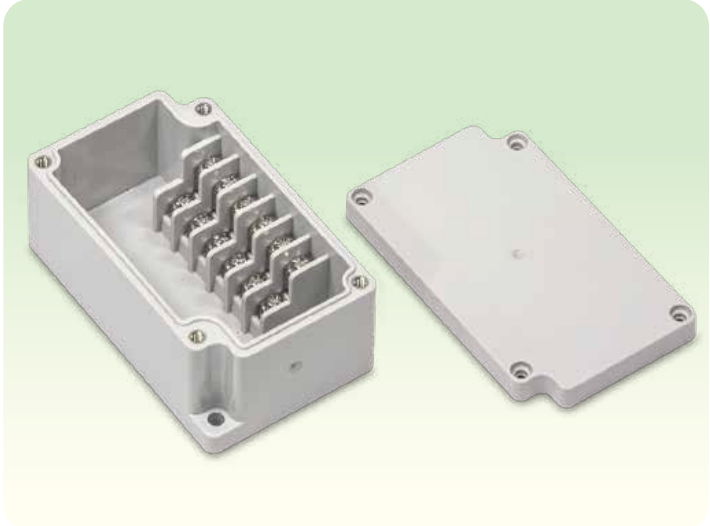
1. Fixed marks in the center of both narrow sides for drilling holes easily
  2. The maximum diameter of hole is 21mm
- 接線盒較窄邊的兩側位於中心點位置標有記號以便於鑽孔,孔的最大尺寸為21毫米

### Property

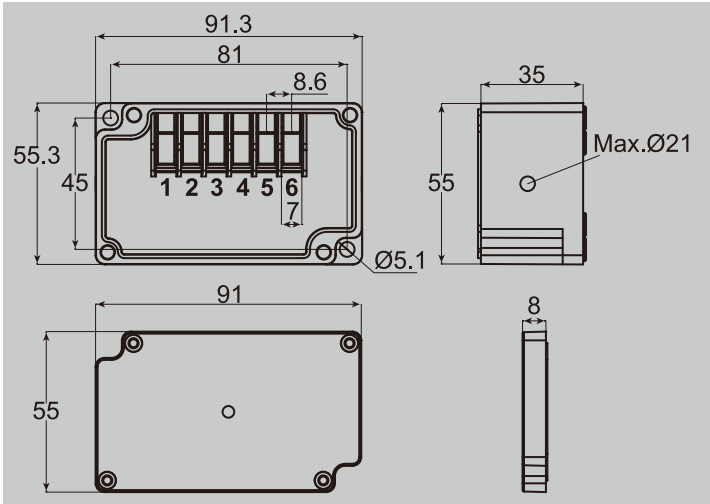
Size	Product model
W x L x H (Cover included)	PC / ABS
	Gray
55 x 91 x 43	TB-PG-4P



**TB-PG-6PH**



**Dimensions (Tolerance ±1mm)**



**Feature:**

1. Fixed marks in the center of both narrow sides for drilling holes easily
  2. The maximum diameter of hole is 21mm
- 接線盒較窄邊的兩側位於中心點位置標有記號以便於鑽孔,孔的最大尺寸為21毫米

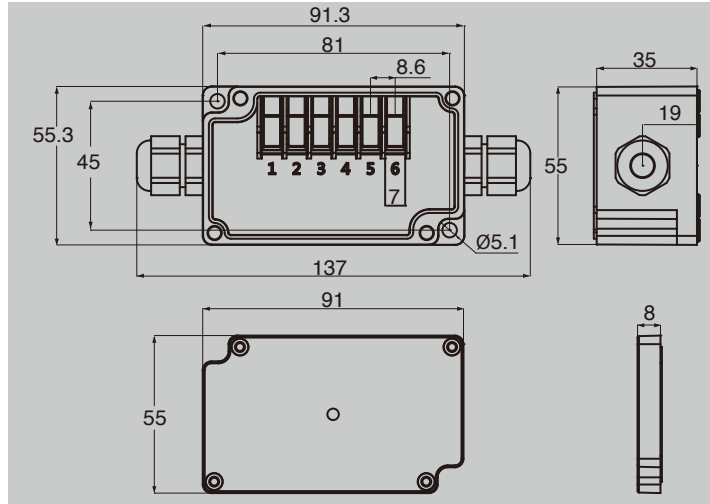
**Property**

Size	Product model
W x L x H (Cover included)	PC / ABS
	Gray
55 x 91 x 43	TB-PG-6PH
<b>Rated voltage</b>	<b>AC 400V</b>
<b>Rated current</b>	<b>15A</b>
<b>Applicable wire</b>	<b>0.75mm<sup>2</sup>~ 1.5mm<sup>2</sup></b>
<b>Operating temperature</b>	<b>-40 ~ +80 °C</b>
<b>Flammability</b>	<b>UL94-5VB</b>
<b>Ingress Protection</b>	<b>IP68</b>
<b>Impact Protection</b>	<b>IK08</b>

**TB-PG-6PH09**



**Dimensions (Tolerance ±1mm)**



**Feature:**

1. A cable gland of PG9 installed on each narrow side of standard model
  2. Customized installing cable glands of PG7, PG11 or PG13.5
- 1.標準品的兩個窄面各有一個PG9電纜固定頭  
2.可接受訂製安裝電纜固定頭PG7、PG11或PG13.5

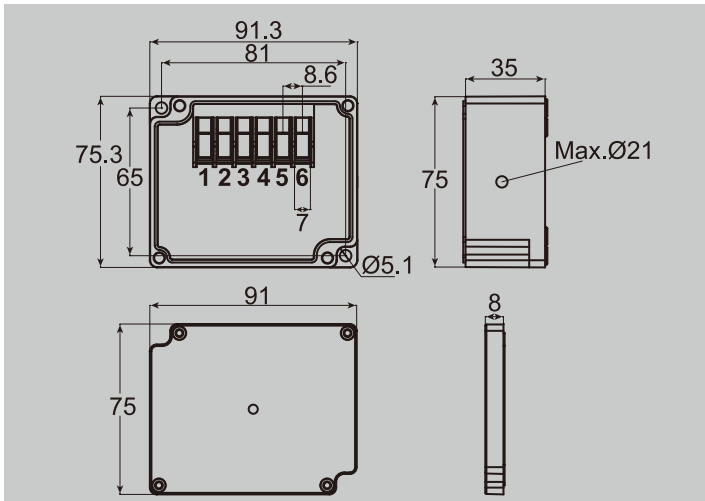
**Property**

Size	Product model
W x L x H (Cover included)	PC / ABS
	Gray
55 x 137 x 43	TB-PG-6PH09

### TB-PG-6PT



#### Dimensions (Tolerance $\pm 1$ mm)



#### Feature:

1. Fixed marks in the center of both narrow sides for drilling holes easily
2. The maximum diameter of hole is 21mm

接線盒較窄邊的兩側位於中心點位置標有記號以便於鑽孔,孔的最大尺寸為21毫米

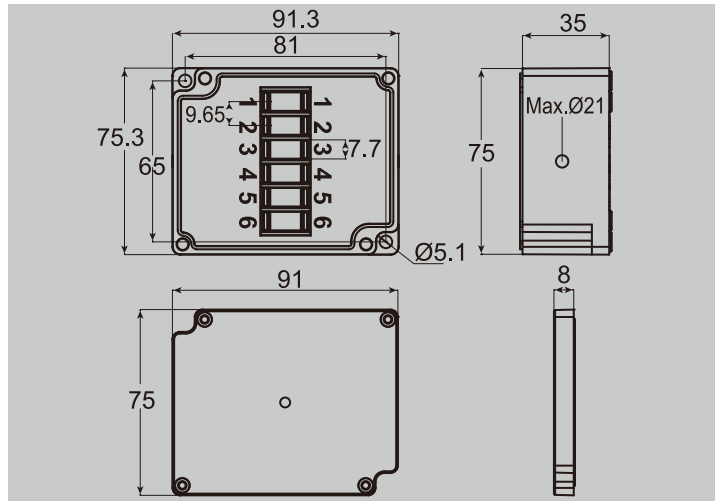
#### Property

Size	Product model
W x L x H (Cover included)	PC / ABS
	Gray
75 x 91 x 43	TB-PG-6PT

### TB-PG-6P



#### Dimensions (Tolerance $\pm 1$ mm)



#### Feature:

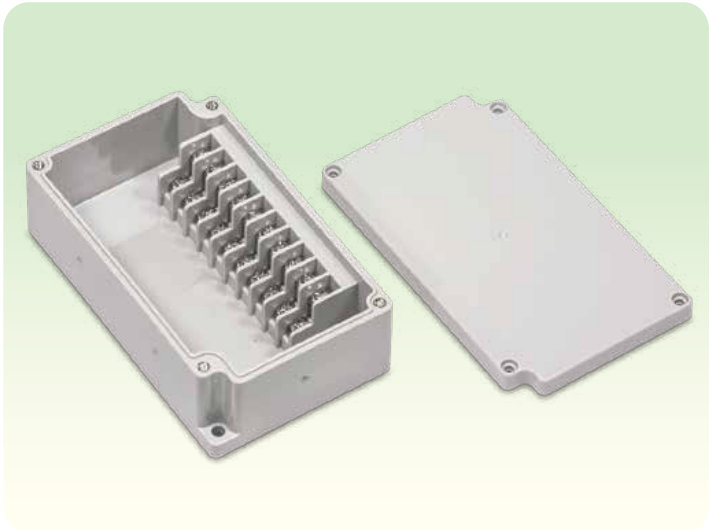
1. Fixed marks in the center of both narrow sides for drilling holes easily
2. The maximum diameter of hole is 21mm

接線盒較窄邊的兩側位於中心點位置標有記號以便於鑽孔,孔的最大尺寸為21毫米

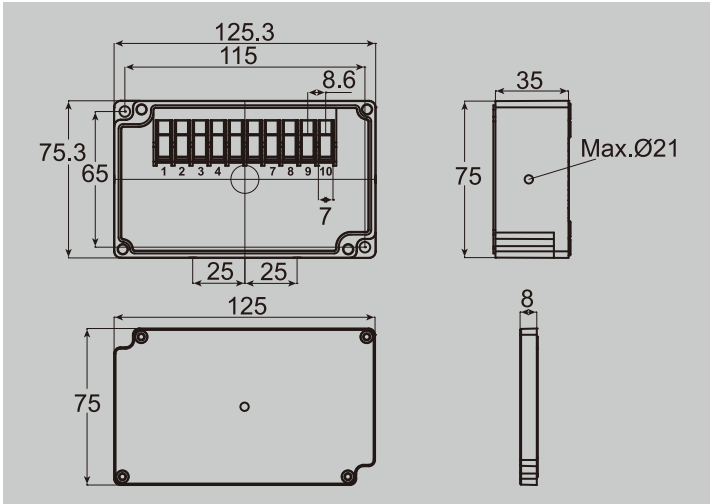
#### Property

Size	Product model
W x L x H (Cover included)	PC / ABS
	Gray
75 x 91 x 43	TB-PG-6P
Rated voltage	AC 400V
Rated current	15A
Applicable wire	0.75mm <sup>2</sup> ~ 1.5mm <sup>2</sup>
Operating temperature	-40 ~ +80°C
Flammability	UL94-5VB
Ingress Protection	IP68
Impact Protection	IK08

**TB-PG-10P**



**Dimensions (Tolerance ±1mm)**



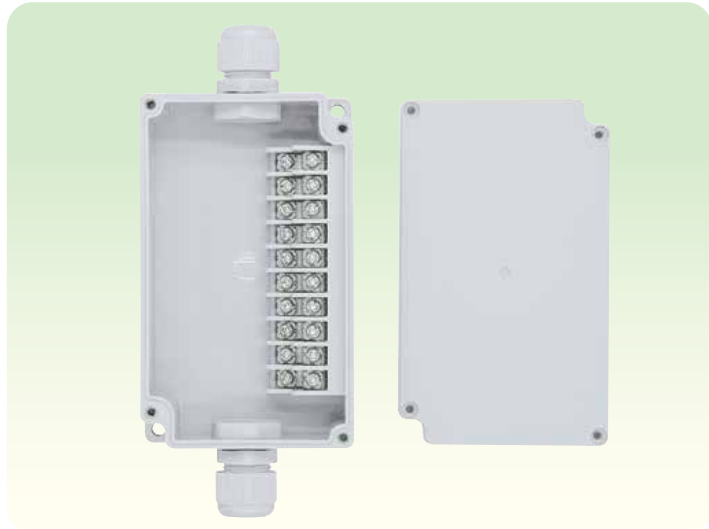
**Feature:**

1. Fixed marks in the center of both narrow sides for drilling holes easily
  2. The maximum diameter of hole is 21mm
- 接線盒較窄邊的兩側位於中心點位置標有記號以便於鑽孔,孔的最大尺寸為21毫米

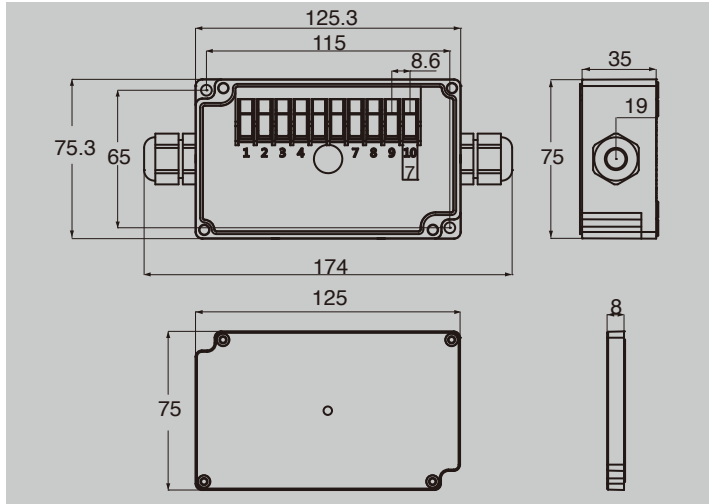
**Property**

Size	Product model
W x L x H (Cover included)	PC / ABS
	Gray
75 x 125 x 43	TB-PG-10P

**TB-PG-10P11**



**Dimensions (Tolerance ±1mm)**



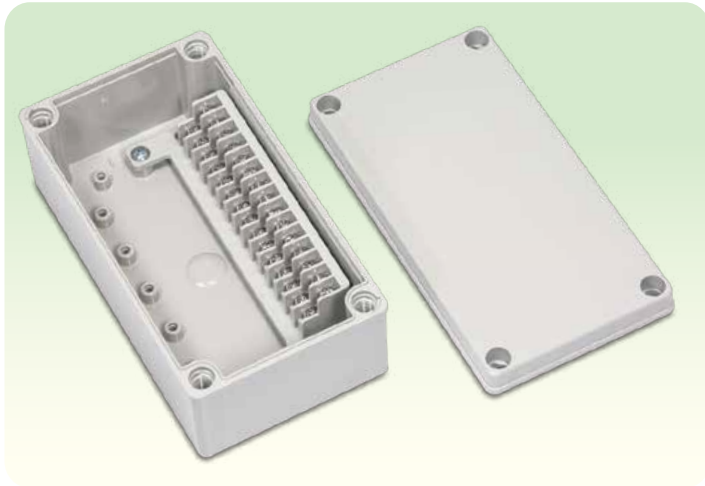
**Feature:**

1. A cable gland of PG11 installed on each narrow side of standard model
  2. Customized installing cable glands of PG7, PG9 or PG13.5
1. 標準品的兩個窄面各有一個PG11電纜固定頭  
2. 可接受訂製安裝電纜固定頭PG7、PG9或PG13.5

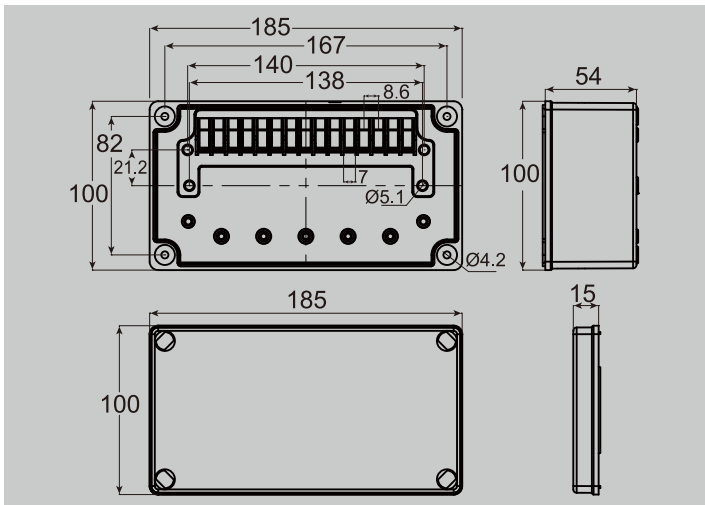
**Property**

Size	Product model
W x L x H (Cover included)	PC / ABS
	Gray
75 x 174 x 43	TB-PG-10P11

**TB-AG-15PT / TB-PG-15PT**



**Dimensions** (Tolerance ±1mm)



**Description**

AG TYPE : Cover and Body are ABS  
 PG TYPE : Cover and Body are PC + ABS  
 Terminal block : PC + ABS  
 AG款式:盒蓋與盒身ABS材質  
 PG款式:盒蓋與盒身PC+ABS材質  
 端子台材質:PC+ABS

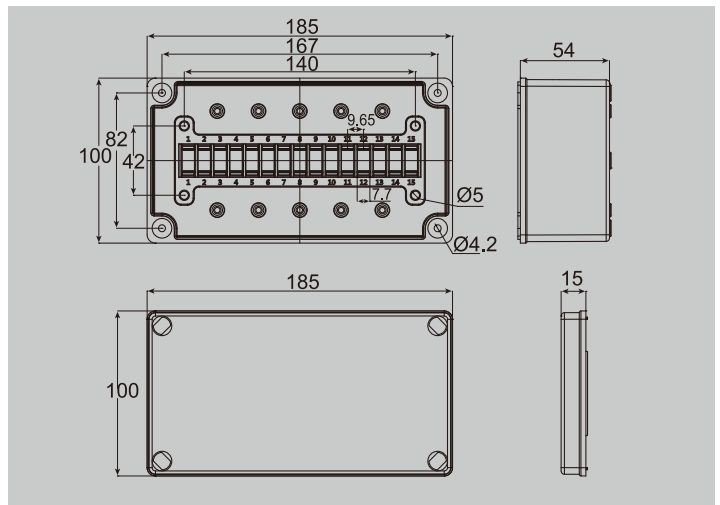
**Property**

Size W x L x H (Cover included)	Product model	
	ABS Gray	PC / ABS Gray
100 x 185 x 70	TB-AG-15PT	TB-PG-15PT
<b>Rated voltage</b>	<b>AC 400V</b>	
<b>Rated current</b>	<b>15A</b>	
<b>Applicable wire</b>	<b>0.75mm<sup>2</sup> ~ 1.5mm<sup>2</sup></b>	
<b>Operating temperature</b>	<b>AG: -40 ~ +60 °C PG: -40 ~ +80 °C</b>	
<b>Flammability</b>	<b>AG: UL94-HB PG: UL94-5VB</b>	
<b>Terminal block</b>	<b>PC+ABS UL94-5VB</b>	
<b>Ingress Protection</b>	<b>IP68</b>	
<b>Impact Protection</b>	<b>IK08</b>	

**TB-AG-15P / TB-PG-15P**



**Dimensions** (Tolerance ±1mm)



**Description**

AG TYPE : Cover and Body are ABS  
 PG TYPE : Cover and Body are PC + ABS  
 Terminal block : PC + ABS  
 AG款式:盒蓋與盒身ABS材質  
 PG款式:盒蓋與盒身PC+ABS材質  
 端子台材質:PC+ABS

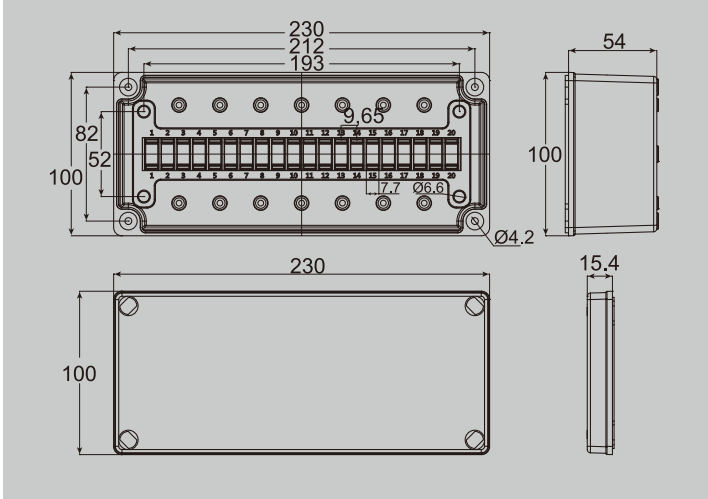
**Property**

Size W x L x H (Cover included)	Product model	
	ABS Gray	PC / ABS Gray
100 x 185 x 70	TB-AG-15P	TB-PG-15P
<b>Rated voltage</b>	<b>AC 400V</b>	
<b>Rated current</b>	<b>15A</b>	
<b>Applicable wire</b>	<b>0.75mm<sup>2</sup> ~ 1.5mm<sup>2</sup></b>	
<b>Operating temperature</b>	<b>AG: -40 ~ +60 °C PG: -40 ~ +80 °C</b>	
<b>Flammability</b>	<b>AG: UL94-HB PG: UL94-5VB</b>	
<b>Terminal block</b>	<b>PC+ABS UL94-5VB</b>	
<b>Ingress Protection</b>	<b>IP68</b>	
<b>Impact Protection</b>	<b>IK08</b>	

**TB-AG-20PT / TB-PG-20PT**



**Dimensions (Tolerance ±1 mm)**



**Description**

AG TYPE : Cover and Body are ABS  
 PG TYPE : Cover and Body are PC + ABS  
 Terminal block : PC + ABS  
 AG款式:盒蓋與盒身ABS材質  
 PG款式:盒蓋與盒身PC+ABS材質  
 端子台材質:PC+ABS

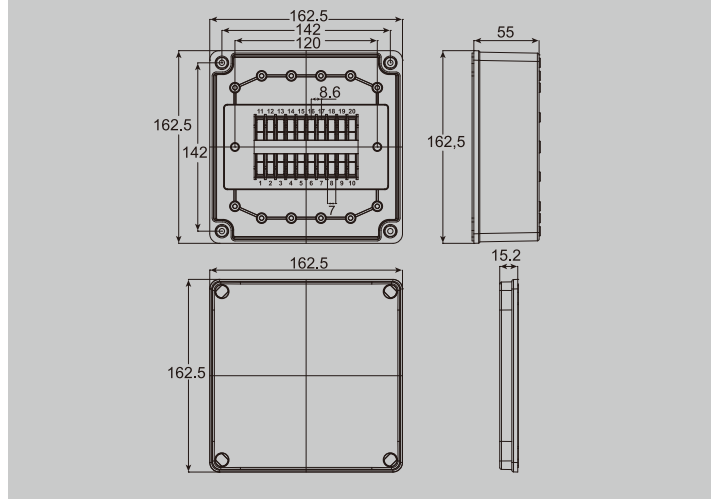
**Property**

Size	Product model	
	ABS	PC / ABS
W x L x H (Cover included)	Gray	Gray
100 x 230 x 70	TB-AG-20PT	TB-PG-20PT

**TB-AG-20PA / TB-PG-20PA**



**Dimensions (Tolerance ±1 mm)**



**Description**

AG TYPE : Cover and Body are ABS  
 PG TYPE : Cover and Body are PC + ABS  
 Terminal block : PC + ABS  
 AG款式:盒蓋與盒身ABS材質  
 PG款式:盒蓋與盒身PC+ABS材質  
 端子台材質:PC+ABS

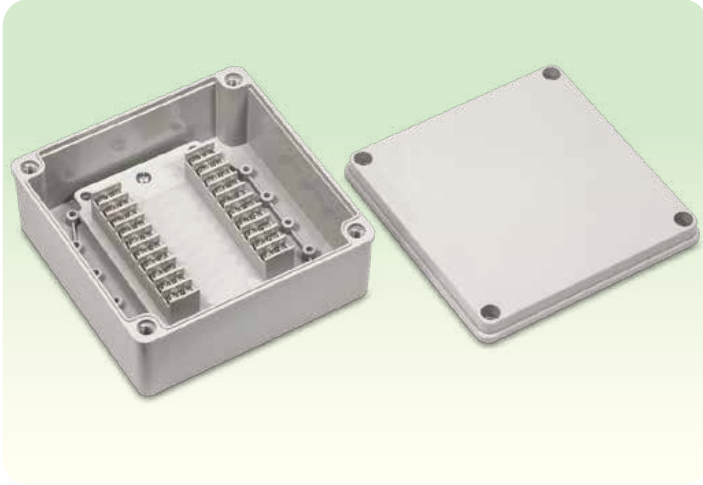
**Property**

Size	Product model	
	ABS	PC / ABS
W x L x H (Cover included)	Gray	Gray
160 x 160 x 70	TB-AG-20PA	TB-PG-20PA

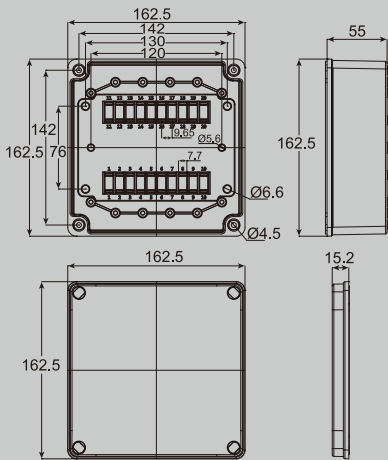
<b>Rated voltage</b>	<b>AC 400V</b>
<b>Rated current</b>	<b>15A</b>
<b>Applicable wire</b>	<b>0.75mm<sup>2</sup> ~ 1.5mm<sup>2</sup></b>
<b>Operating temperature</b>	<b>AG: -40 ~ +60°C PG: -40 ~ +80°C</b>
<b>Flammability</b>	<b>AG: UL94-HB PG: UL94-5VB</b>
<b>Terminal block</b>	<b>PC+ABS UL94-5VB</b>
<b>Ingress Protection</b>	<b>IP68</b>
<b>Impact Protection</b>	<b>IK08</b>



### TB-AG-20P / TB-PG-20P



#### Dimensions (Tolerance ±1mm)



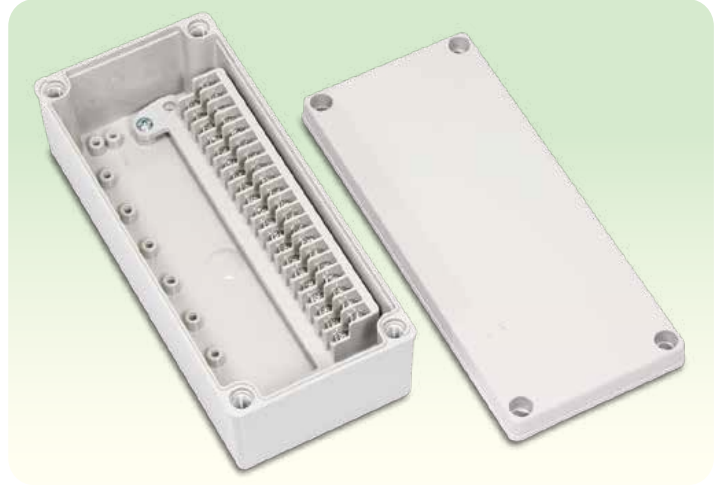
#### Description

AG TYPE : Cover and Body are ABS  
 PG TYPE : Cover and Body are PC + ABS  
 Terminal block : PC + ABS  
 AG款式:盒蓋與盒身ABS材質  
 PG款式:盒蓋與盒身PC+ABS材質  
 端子台材質:PC+ABS

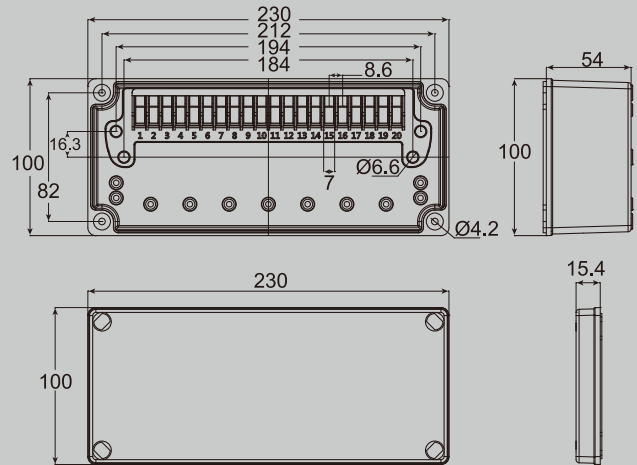
#### Property

Size W x L x H (Cover included)	Product model	
	ABS	PC / ABS
160 x 160 x 70	Gray	Gray
	TB-AG-20P	TB-PG-20P

### TB-AG-20PTS



#### Dimensions (Tolerance ±1mm)



#### Description

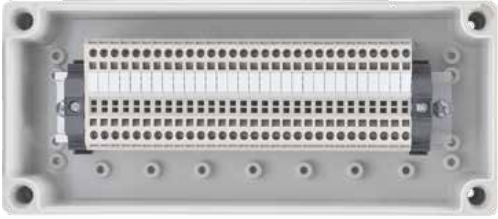

AG TYPE : Cover and Body are ABS  
 PG TYPE : Cover and Body are PC + ABS  
 Terminal block : PC + ABS  
 AG款式:盒蓋與盒身ABS材質  
 PG款式:盒蓋與盒身PC+ABS材質  
 端子台材質:PC+ABS

#### Property

Size W x L x H (Cover included)	Product model	
	ABS	PC / ABS
100 x 230 x 70	Gray	Gray
	TB-AG-20PTS	TB-PG-20PTS

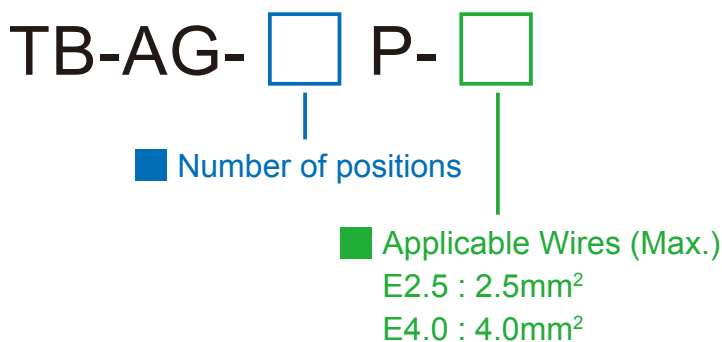
<b>Rated voltage</b>	<b>AC 400V</b>
<b>Rated current</b>	<b>15A</b>
<b>Applicable wire</b>	<b>0.75mm<sup>2</sup> ~ 1.5mm<sup>2</sup></b>
<b>Operating temperature</b>	<b>AG: -40 ~ +60°C PG: -40 ~ +80°C</b>
<b>Flammability</b>	<b>AG: UL94-HB PG: UL94-5VB</b>
<b>Terminal block</b>	<b>PC+ABS UL94-5VB</b>
<b>Ingress Protection</b>	<b>IP68</b>
<b>Impact Protection</b>	<b>IK08</b>

## Customized Terminal Block Boxes

	Number of Positions (Maximum)		Dimensions W x H x D (Cover included)	Cable entry	Mounting bracket
	2.5 mm <sup>2</sup>	4.0 mm <sup>2</sup>			
	39P	30P	100 x 230 x 70	customization	B40.01 / PB30.01
	43P	36P	150 x 250 x 100	customization	

PROPERTY / 特性	
Material / 材質	Box : ABS Terminal Block : PA66
Ingress protection / 防護等級( IEC 60529 )	IP 68
Impact protection / 撞擊防護等級	IK 08
Color / 標準顏色	Light gray / 淺灰 ( RAL 7035 )
Temperature / 溫度範圍	Box : -40°C ~ + 60°C Terminal Block : -40°C ~ + 105°C
Flammability / 防火等級	Box : UL 94-HB Terminal Block : UL 94 V-0
Applicable wire / 線徑 (Max.)	2.5 mm <sup>2</sup> / 4.0mm <sup>2</sup>
Rated voltage	AC 600V
Rated current	18 / 20A

## How to order



# 通風器 / Ventilator

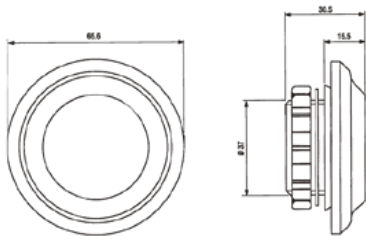
## Features / 特色

- 安裝容易。
- IP55 / IP66防護等級。
- 提供開關箱裡面之電氣設備有良好之防水防塵保護。

- Easy installation.
- Ingress protection, IP54 - IP66.
- A high protection level from water and dust



VH84



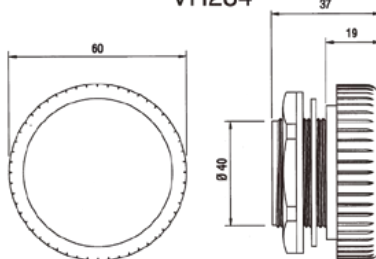
### Model / 型號 : VH84

#### Technical Data / 技術規格 :

- Ingress protection / 保護等級 : IP55
- Mounting / 安裝 : PG29-Ø37mm
- Depth in enclosure / 開關箱裡之深度 : 15mm
- Material / 原料 : PC, UL94 V-0
- Air interface / 空氣接觸面 : 7cm<sup>2</sup>
- Dimensions / 尺寸 : Ø65.5x30.5mm
- Orientation / 安裝方向 : Variable / 沒有限制
- Operating / Storage temperature / 操作, 儲存溫度 : -45~+70°C (-49~+158°F)



VH284



### Model / 型號 : VH284

#### Technical Data / 技術規格 :

- Ingress protection / 保護等級 : IP66
- Mounting / 安裝 : Ø40.5mm
- Depth in enclosure / 開關箱裡之深度 : 16mm
- Material / 原料 : PC, UL94 V-0
- Air permeability / 空氣流量 : 1200 l/h at pressure min.
- 70 mbar, 1200 l/h 在氣壓最小 70 mbar
- Dimensions / 尺寸 : Ø65.5x37mm
- Orientation / 安裝方向 : Variable / 沒有限制
- Operating / Storage temperature / 操作, 儲存溫度 : -45~+70°C (-49~+158°F)



VH-40

VH-60

### Model / 型號 : VH-40, VH-60

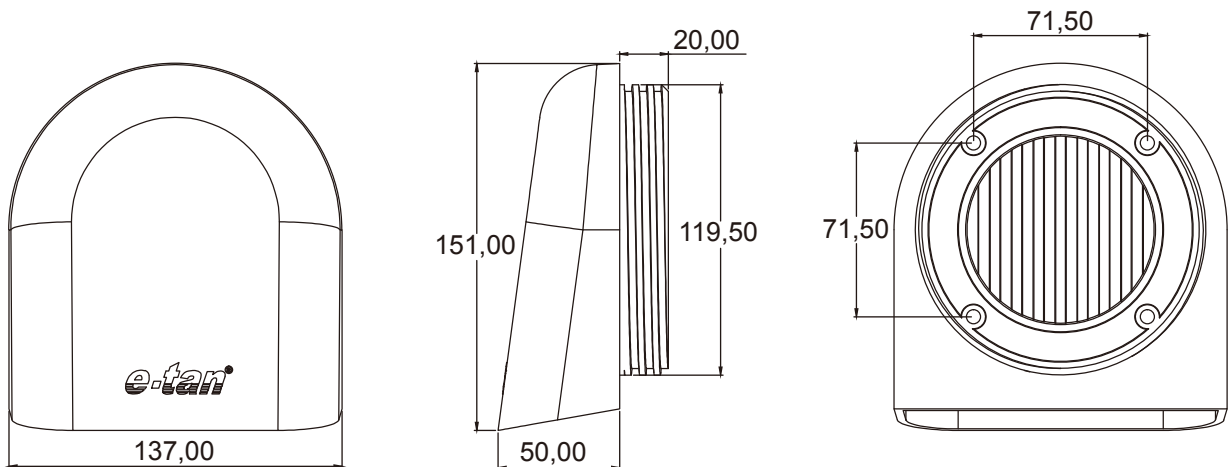
#### Technical Data / 技術規格 :

- Ingress protection / 保護等級 : IP54
- Mounting / 安裝 : VH-40 : Ø 17.5mm , VH-60 : Ø 62.5mm
- Depth in enclosure / 開關箱裡之深度 :  
VH-40 : 11 mm , VH-60 : 11 mm
- Material / 原料 : PC 聚碳酸酯
- Flammability / 阻燃等級 : UL94 V-0
- UV Resistant / 抗紫外線 : UL746C ( f1 ) , ΔE9.07 @ 1000h
- Temperature range / 溫度範圍 : - 40°C ~ + 85 °C
- Dimensions / 尺寸 : VH-40 : 24X42 mm , VH-60 : 75X75 mm
- Orientation / 安裝方向 : Downward / 向下

**Model / 型號 : VH-100**

**Technical Data / 技術規格 :**

- Ingress protection / 保護等級 : IP54
- Mounting / 安裝 :  $\varnothing 120$  mm
- Material / 原料 : PC 聚碳酸酯
- Flammability / 阻燃等級 : UL94 V-0
- UV Resistant / 抗紫外線 : UL746C ( f1 ),  $\Delta E9.07 @ 1000h$
- Temperature range / 溫度範圍 :  $- 40^{\circ}\text{C} \sim + 85^{\circ}\text{C}$
- Dimensions / 尺寸 : 137 x 151 mm
- Orientation / 安裝方向 : Downward / 向下
- Dimensions of fan / 風扇尺寸 : 80 x 80 mm

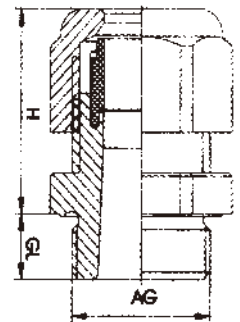


**選配 Option : 風扇 Fan**

Model	Voltage (V)	Frequency (Hz)	Current (A)	Power (W)	Speed (RPM)	Air Flow (CFM)
P1082HS	115	50/60	0.14/0.16	3.5/4.5	3300/3700	42/48
P2082HS	230	50/60	0.14/0.17	4/5.5	3700/4100	42/48

## 尼龍電纜防水接頭 Plastic Cable Gland

1. 材 料：尼龍66 密封件材料：丁腈橡膠。
2. 顏 色：灰白色(RAL 7035)，黑色(RAL 9005)。
3. 防護等級：在規定的適用電纜內，並使用合適的O型密封圈，防護等級可達到IP67。
4. 溫度範圍：靜態：-40°C~100°C，短時間可達到120°C。  
動態：-20°C~80°C，短時間可達到100°C。
5. 阻燃等級：UL94 V-2，不含鹵素、磷、鎘、通過ROHS測試，耐UV，通過抗老化測試。



1. Material: Polyamide66, Sealing: NBR
2. Color: Grey white (RAL 7035), Black (RAL 9005)
3. Ingress protection: Cable gland IP67 with suitable O-sealings and compatible cable.
4. Temperature Range: Stat.: Min-40°C, Max100°C, Short-term120°C  
Dyn.: Min-20°C, Max80°C, Short-term100°C
5. Properties: UL94 V-2, free of halogen, phosphor and cadmium, passed RoHS UV-resistance, ageing-resistance certificates



## 加長型 PG螺紋 PG Thread 單位：mm

型號 Model	適用電纜 Cable Range Ø	螺紋外徑 Thread O.D. AG	機板口徑 Panel Mounting Hole	螺紋長度 Thread Length GL	扳手徑 Spanner Size A & F	包裝 Std. Pkg pcs
PG-7	3~6.5	12.5	12.5~12.8	8	15	100
PG-7L	3~6.5	12.5	12.5~12.8	15	15	100
PG-9	4~8	15.2	15.2~15.5	8	19	100
PG-9L	4~8	15.2	15.2~15.5	15	19	100
PG-11	5~10	18.6	18.6~18.9	8	22	100
PG-11L	5~10	18.6	18.6~18.9	15	22	100
PG-13.5	6~12	20.4	20.4~20.7	9	24	100
PG-13.5L	6~12	20.4	20.4~20.7	14	24	100
PG-16	8~14	22.5	22.5~22.8	10	27	50
PG-16L	8~14	22.5	22.5~22.8	15	27	50
PG-21	13~18	28.3	28.3~28.7	11	33	50
PG-21L	13~18	28.3	28.3~28.7	15	33	50
PG-29	18~25	37	37~37.4	11	42	25
PG-29L	18~25	37	37~37.4	15	42	25
PG-36	22~32	47	47~47.4	13	52	10
PG-42	30~38	54	54~54.4	14	60	10
PG-48	37~44	59.3	59.3~59.7	15	65	5

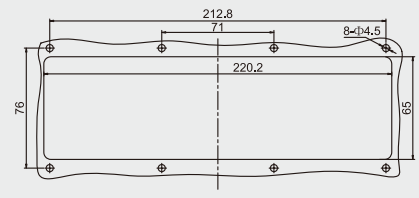
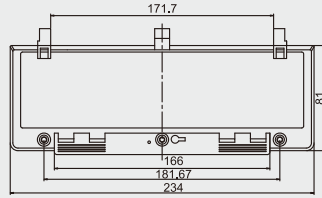


# INSPECTION WINDOWS IP65

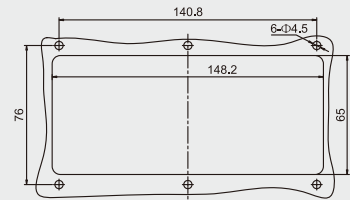
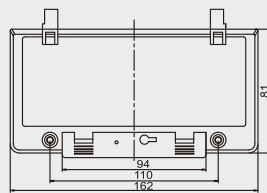
配電箱視窗IP65

Material: polycarbonate non-corrosive and UV stabilised, V2

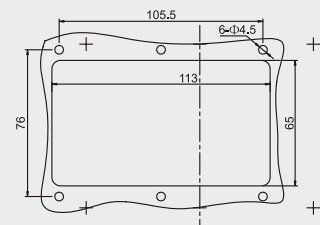
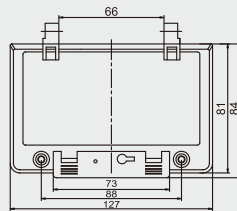
## ■ 型號 / MODEL : EW121



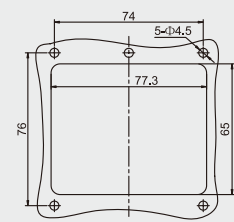
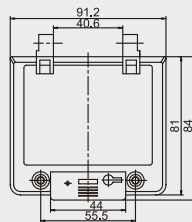
## ■ 型號 / MODEL : EW081



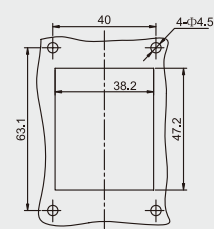
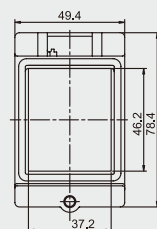
## ■ 型號 / MODEL : EW061



## ■ 型號 / MODEL : EW041



## ■ 型號 / MODEL : EW021



## ACCESSORIES

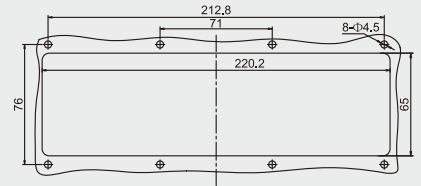
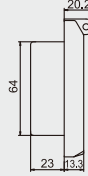
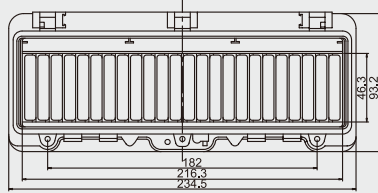
Transparent operating window, made of impact-resistant plastic and able to close door automatically, reaches IP65 with thumb screws

### 附件

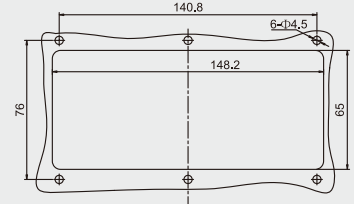
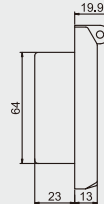
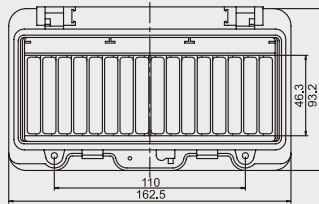
透明自閉操作窗 · 螺絲鎖緊可達IP65 · 優質抗沖擊塑料

**Material: polycarbonate non-corrosive and UV stabilised, V2**

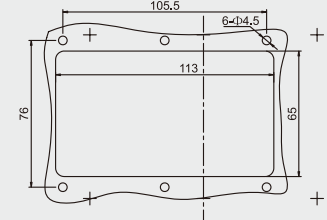
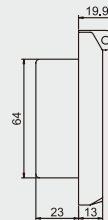
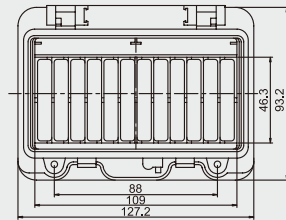
#### ■ 型號 / MODEL : EW12



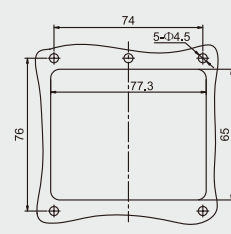
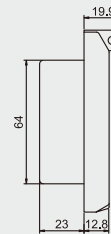
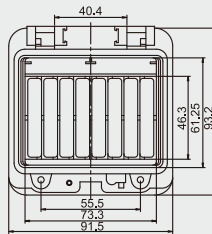
#### ■ 型號 / MODEL : EW8



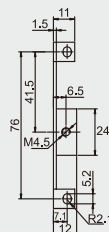
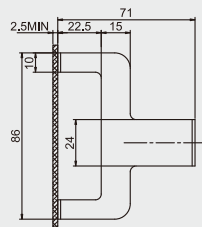
#### ■ 型號 / MODEL : EW6



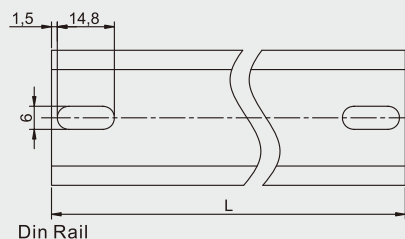
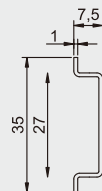
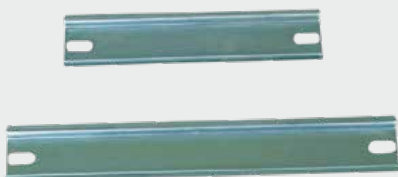
#### ■ 型號 / MODEL : EW4



#### ■ BRACKET FOR DIN RAIN



#### ■ DIN RAIL TS35/TS35軌道



Item	Length
2 Model	54
4 Model	88
6 Model	120
8 Model	165
10 Model	227

# ROHS DIN RAIL TS35

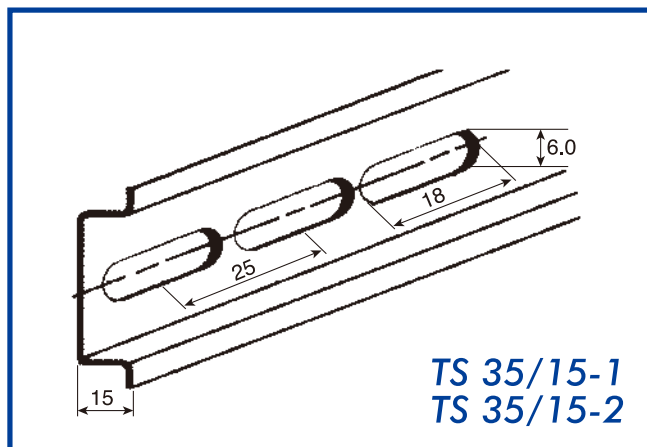
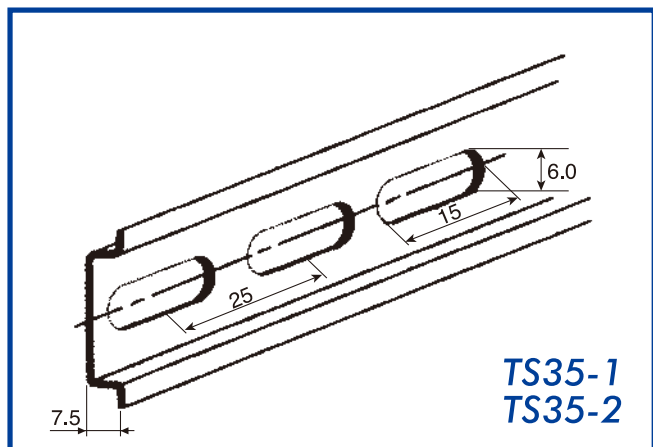
ROHS 指令 TS35 鋼軌

STANDARDS : EN 1483

TUV Ref.-No : 113073648



Model 型號	Length 長度	Weight(1 meter) 重量(1 meter)	Perforation(mm) 孔距(mm)	Pack 包裝
TS 35-1	1 meter	0.335	15 x 6.0 spacing 25	40
TS 35-2	2 meter	0.335	15 x 6.0 spacing 25	20
TS 35/15-1	1 meter	0.68	15 x 6.0 spacing 25	30
TS 35/15-2	2 meter	0.68	15 x 6.0 spacing 25	30



**DIN CUTTER / 導軌切斷器****DIN RAIL CUTTER :****Features :**

- Din cutter with ergonomic design is user-friendly, saving effort and time.
- Drilled and undrilled DIN rail won't be burrs or deformed after being cut.
- Knife is heavy duty, durable and long life after special processing.

**導軌切斷器：****特色：**

- 切斷器依照人體工學原理設計，操作時省力有效率。
- 裁切有孔或無孔導軌不會造成毛邊或使導軌變形。
- 裁刀經過特殊處理，高品質、耐用、壽命長。



For DIN rail of Aluminum

Model : DR-RC001

DIN rail size : 35x7.5mm

Dimensions : 607x80x156mm

Weight : 7.3kg

For DIN rail of steel

Model : DR-RC002

DIN rail size : 35x7.5mm

Dimensions : 607x80x156mm

Weight : 7.3kg



## 萬用插座 / MULTIPLE SOCKET

### 特色

- 安裝容易：採用卡式安裝在 DIN 35 軌道。
  - IP20 防護等級。
  - 電線連接器採用夾式：省時、安全、快速配線與拆線。
  - 有保險絲與無保險絲兩種可選擇使用。
  - 世界插頭皆可使用，例如德式、法式、英式、美式、瑞士、義式。
  - Easy to install on 35 mm DIN rail, EN 50022
  - Ingress protection : IP20.
  - Connected wire to socket with clipping way in order to save time , safe ,fast wiring and moving wire.
- The socket is available with and without fuse .
- Compatible with worldwide plugs

### Features

Model / 型號: MS 35.00

Technical Data / 技術規格:

- Ingress protection / 保護等級：IP20
- Mounting / 安裝：35 mm DIN Rail，35 mm 軌道，EN 50022
- Applicable Wire / 電線線徑：0.5–2.5mm<sup>2</sup>，18–16AWG，Sol/StrCu，單股 / 多股導線
- Casing material / 外殼原料：PC/ABS
- Flammability / 耐燃：UL94 - 5VB
- Rated voltage / 額定電壓：AC 250V
- Rated current / 額定電流：AC 15A
- Rated current of fuse / 保險絲額定電流：AC 6A / 250V，AC 10A / 125V
- Dimensions / 尺寸：H90 x W66 x D47.3mm
- Weight / 重量：115 g
- Orientation / 安裝方向：Variable / 沒有限制
- Operating / Storage temperature / 操作, 儲存溫度：-45 ~ +70°C (-49 ~ +158°F)

<p><b>配線</b></p> <ol style="list-style-type: none"> <li>1. 將單多芯線剝線</li> <li>2. 將按鍵 ( L、N、<math>\perp</math> ) 按下</li> <li>3. 插入電線後，鬆開按鍵</li> <li>4. 輕拉電線以確認緊固狀態</li> </ol> <p><b>Wiring</b></p> <ol style="list-style-type: none"> <li>1. Strip conductor (standard / solid wires)</li> <li>2. Press the button fully (L, N or <math>\perp</math>)</li> <li>3. Insert stripped conductor into the hole entirely and release the button.</li> <li>4. Check the wiring connections.</li> </ol>				

## 滑蓋式通風濾網組 / Air Cooling with Filter

### Features / 特色

- 安裝容易。
- IP54防護等級。
- 提供開關箱裡面之電氣設備有良好之防水防塵保護。
- 無需任何工具即可輕鬆快速更換過濾棉。
- 過濾棉用水清洗或真空吸塵器清理則可以重複使用。

- Easy installation
- Ingress protection : IP54.
- Replacing a filter quickly without any tools.
- Reusable filter by washing or vacuuming

### Technical Data / 技術規格：

- Ingress protection / 保護等級：IP54
- Material / 材質：ABS
- Flammability 防火等級: UL94HB
- Orientation 安裝方向: Downward / 向下安裝
- Operating / Storage temperature / 操作，儲存溫度: -40°C ~ +60°C

### Product model

Model No. / 型號：**FG-4N**

Be suitable for dimensions of Fan /  
適用風扇尺寸：120 x 120 mm

Model No. / 型號：**FG-6N**

Be suitable for dimensions of Fan /  
適用風扇尺寸：120 x 120 mm / 172 x 150 mm

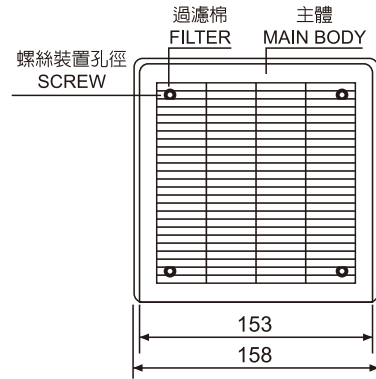
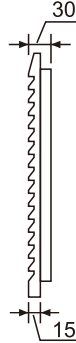
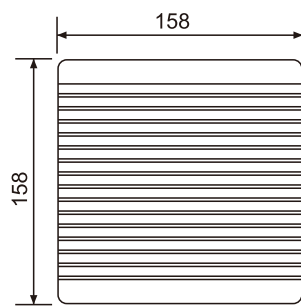




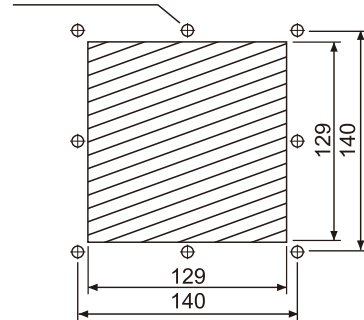
# 滑蓋式通風濾網組 / Air Cooling with Filter

注：適用於120x120 風扇使用 / Be suitable for 120x120 fan

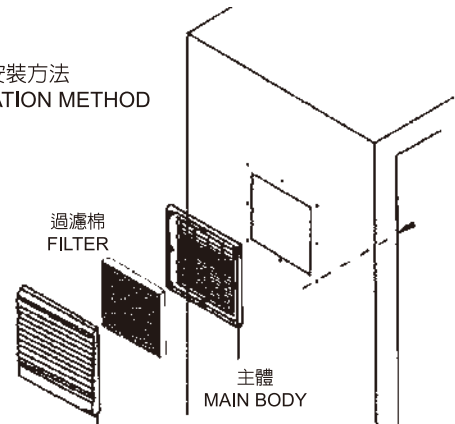
## FG-4N



螺絲孔徑 Hole of screw  
M4 x 8

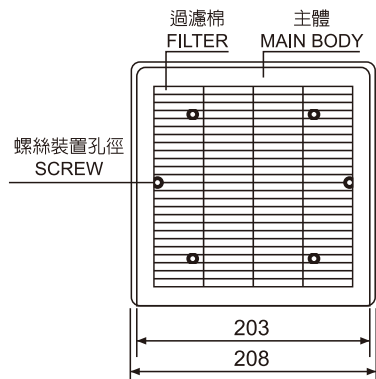
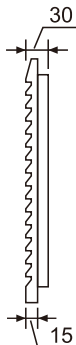
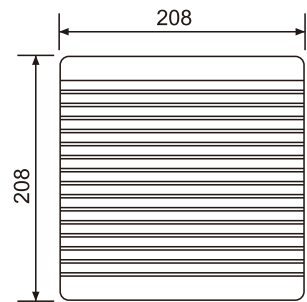


安裝方法  
INSTALLATION METHOD

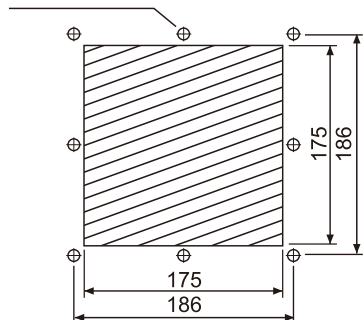


注：適用於120x120/172x150 風扇使用 / Be suitable for 120x120/172x150 fan

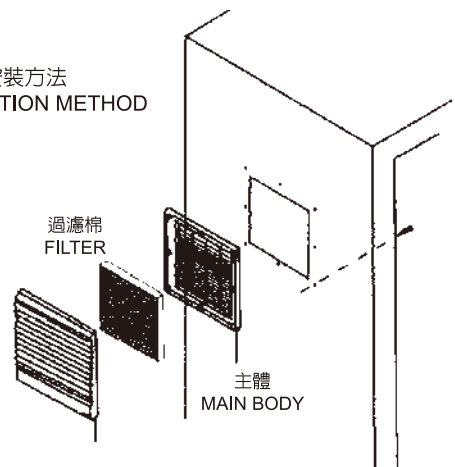
## FG-6N

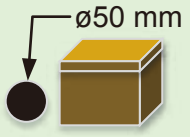
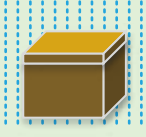

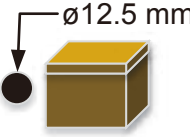
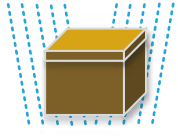
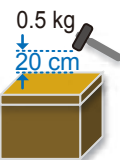
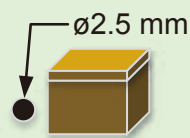
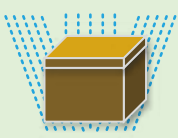
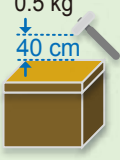
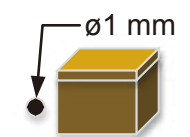
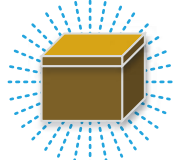



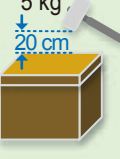
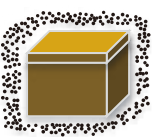

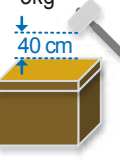
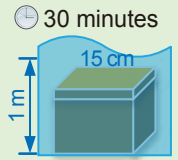
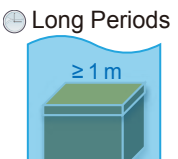


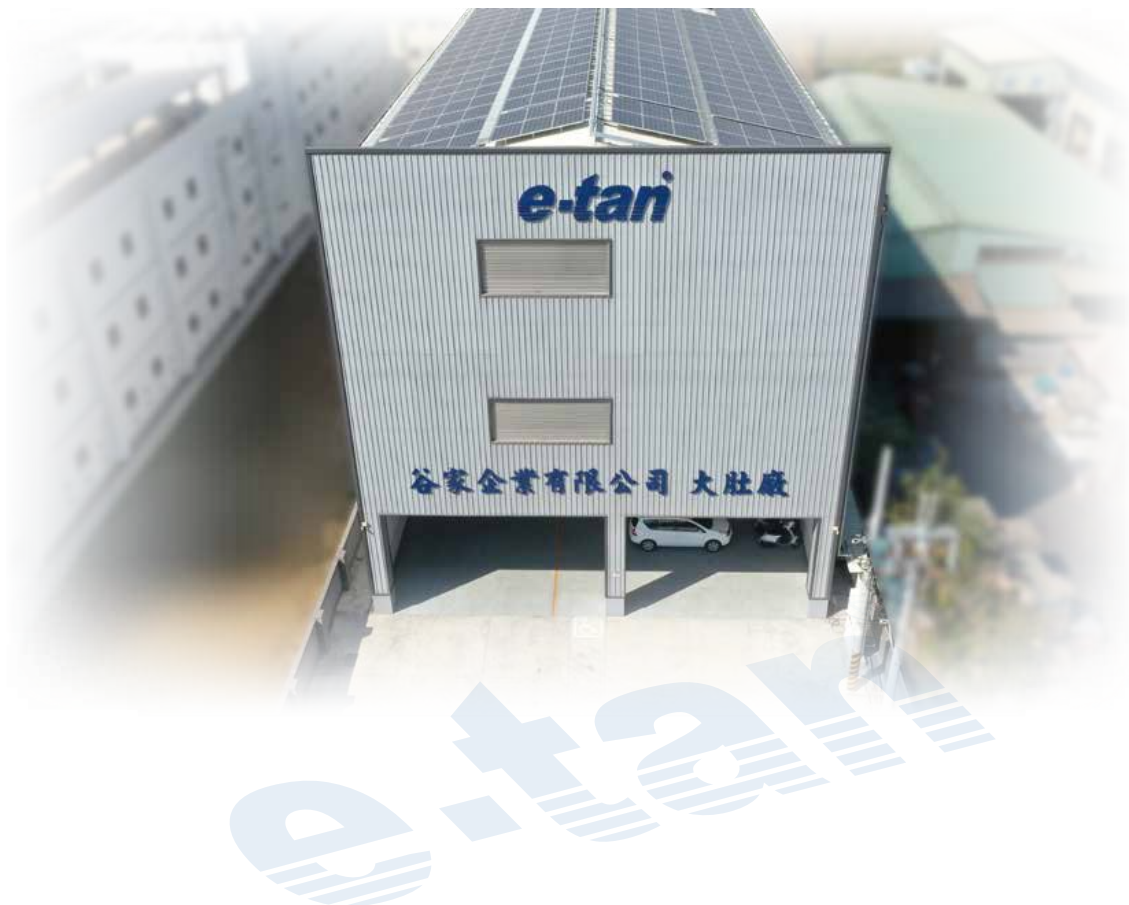
螺絲孔徑 Hole of screw  
M4 x 8



安裝方法  
INSTALLATION METHOD



First digit (Solid protection)		Second digit (Liquid protection)		IK Code (Impact protection)	
IP	TEST	IP	TEST	IK	TEST
0	No protection	0	No protection	00	No protection
1	 Protected against solid objects over 50 mm	1	 Protected against vertically falling drops of water	01 ~ 05	 Impact < 1 joule
2	 Protected against solid objects over 12.5 mm #	2	 Protected against vertically falling drops of water when enclosure tilted 15°	06	 Impact 1 joule
3	 Protected against solid objects over 2.5 mm	3	 Protected against spraying water at any angle up to 60°	07	 Impact 2 joule
4	 Protected against solid objects over 1 mm	4	 Protected against water splashed from all directions	08	 Impact 5 joule
5	 Dust protected. limited ingress permitted	5	 Protected against low pressure jets of water	09	 Impact 10 joule
6	 Dust-tight No ingress of dust	6	 Protected against powerful jets of water	10	 Impact 20 joule
		7	 Protected against the effects of immersion between 15 cm and 1 m		
		8	 Protected against long periods of immersion under pressure		



## 谷家企業有限公司 COCA ENTERPRISE CO., LTD.

406台中市北屯區軍福17路78號

NO.78, Junfu 17th Rd., Beitun District, Taichung City,  
40642, Taiwan

Tel: +886-4-2436.0203 Fax: +886-4-2436.0107

<https://www.e-tan.com.tw>

<https://www.demex.com.tw>

e-mail:webmaster@demex.com.tw

e-mail:info@e-tan.com.tw

